

# CN 22 AK



CombiNorm-Classic for DIN rail acc. to DIN EN 60715 TH 35  
 Enclosure

Order no.: 65002210

**Colour of enclosure group**

Light grey, similar to RAL 7035; special colours on request

**Protection class**

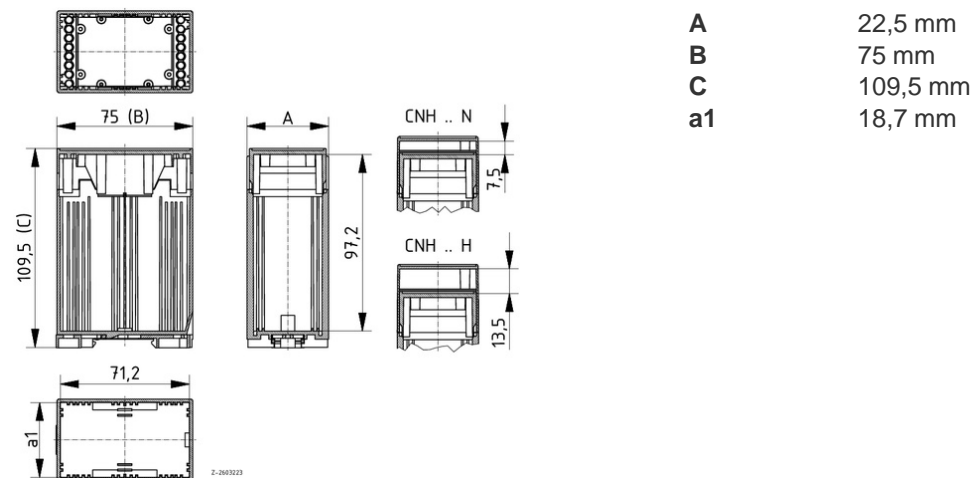
Up to IP 40/DIN EN 60529, terminals IP 20/DIN EN 60529

**Enclosure material**

ABS; UL 94 V0 material on request; for details see Technical Information

Scope of delivery: Lid, base with latch (mounted)

Note: See following pages for accessories.



**Technical drawings**

3D product data in STEP format:

[Registration necessary](#)

Catalogue drawing in DXF format:

[65002210\\_2601168.dxf](#) (802 KB)

Catalogue drawing in PDF format:

[65002210\\_2601168.pdf](#) (117 KB)

**Chapter download**

[CombiNorm-Classic\\_GB.pdf](#) (480 KB)

# Accessories



## Terminal identification strip, self-adhesive

66000100 [AK-BS](#)

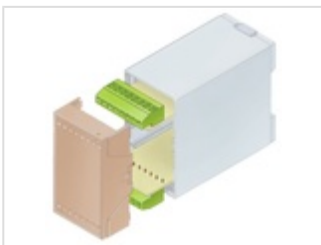


## Connection terminals for circuit boards which are parallel to the front side

66002000 [AK 700/2V](#) 2-pole Green

66003000 [AK 700/3V](#) 3-pole Green

66004000 [AK 700/4V](#) 4-pole Green

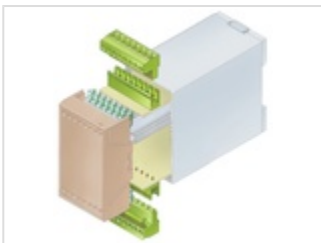


## Connector strip for vertically-inserted circuit boards

66004110 [AK 700/2H](#) 2-pole Green

66003100 [AK 700/3H](#) 3-pole Green

66004100 [AK 700/4H](#) 4-pole Green



## Connection terminal for STL 950

66004600 [AK 950/4](#) 4-pole Green

## Connector strip for soldering onto vertically-inserted circuit boards

66004500 [STL 950/4V](#) 4-pole



## Hinged hood, crystal-clear, 9 mm high, polycarbonate

65002260 [CNH 22 N](#) For CN(S) 22 AK



## Hinged hood, crystal-clear, 15 mm high, polycarbonate

65002250 [CNH 22 H](#) For CN(S) 22 AK



**Blind plate for covering unused terminal locations, 19 parts, can be broken off**

65010070 [CNB 100](#)



**Adapter plate for fitting circuit boards and closing the screw openings with the use of STL 950, 20 parts, can be broken off**

65010100 [CNA 100](#)

