

CN 55 AK



CombiNorm-Classic for DIN rail acc. to DIN EN 60715 TH 35
 Enclosure

Order no.: 65005510

Colour of enclosure group

Light grey, similar to RAL 7035; special colours on request

Protection class

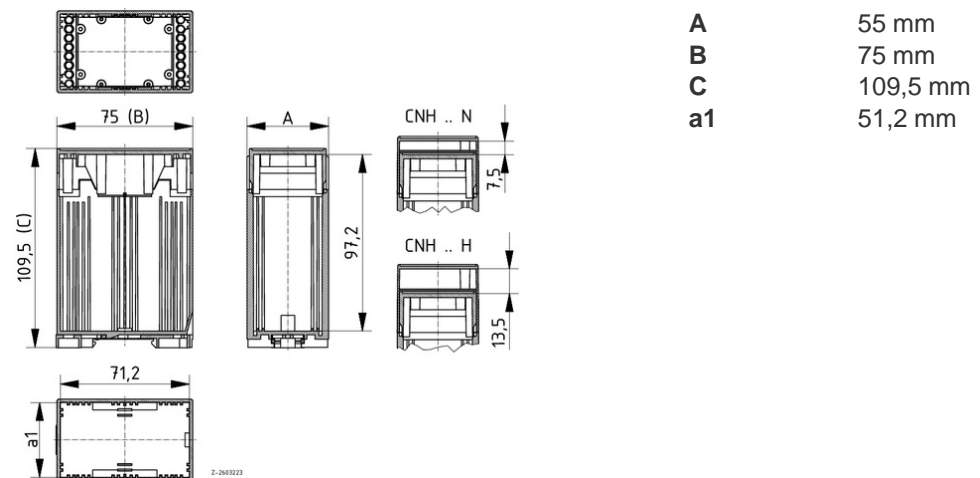
Up to IP 40/DIN EN 60529, terminals IP 20/DIN EN 60529

Enclosure material

ABS; UL 94 V0 material on request; for details see Technical Information

Scope of delivery: Lid, base with latch (mounted)

Note: See following pages for accessories.



Technical drawings

3D product data in STEP format:

[Registration necessary](#)

Catalogue drawing in DXF format:

[65005510_2601170.dxf](#) (0.9 MB)

Catalogue drawing in PDF format:

[65005510_2601170.pdf](#) (129 KB)

Chapter download

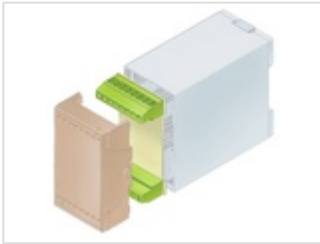
[CombiNorm-Classic_GB.pdf](#) (480 KB)

Accessories



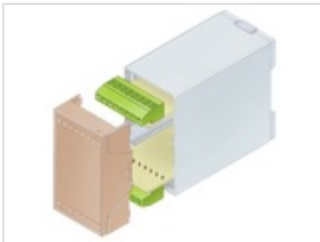
Terminal identification strip, self-adhesive

66000100 [AK-BS](#)



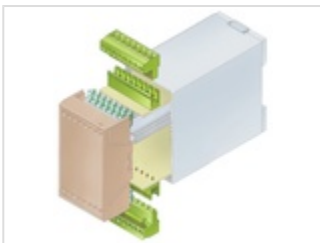
Connection terminals for circuit boards which are parallel to the front side

| | | |
|----------|----------------------------|---------------|
| 66002000 | AK 700/2V | 2-pole Green |
| 66003000 | AK 700/3V | 3-pole Green |
| 66004000 | AK 700/4V | 4-pole Green |
| 66008000 | AK 700/8V | 8-pole Green |
| 66010000 | AK 700/10V | 10-pole Green |



Connector strip for vertically-inserted circuit boards

| | | |
|----------|----------------------------|---------------|
| 66004110 | AK 700/2H | 2-pole Green |
| 66003100 | AK 700/3H | 3-pole Green |
| 66004100 | AK 700/4H | 4-pole Green |
| 66008100 | AK 700/8H | 8-pole Green |
| 66010100 | AK 700/10H | 10-pole Green |



Connection terminal for STL 950

| | | |
|----------|---------------------------|---------------|
| 66004600 | AK 950/4 | 4-pole Green |
| 66008600 | AK 950/8 | 8-pole Green |
| 66010600 | AK 950/10 | 10-pole Green |

Connector strip for soldering onto vertically-inserted circuit boards

| | | |
|----------|-----------------------------|---------|
| 66004500 | STL 950/4V | 4-pole |
| 66008500 | STL 950/8V | 8-pole |
| 66010500 | STL 950/10V | 10-pole |



Hinged hood, crystal-clear, 9 mm high, polycarbonate

65005560 [CNH 55 N](#) For CN(S) 55 AK



Hinged hood, crystal-clear, 15 mm high, polycarbonate

65005550 [CNH 55 H](#) For CN(S) 55 AK



Blind plate for covering unused terminal locations, 19 parts, can be broken off

65010070 [CNB 100](#)



Adapter plate for fitting circuit boards and closing the screw openings with the use of STL 950, 20 parts, can be broken off

65010100 [CNA 100](#)

