

EG 1040



Elegant
Enclosure, plain

Order no.: 32104000

Colour of enclosure group

Lid: light grey, similar to RAL 7035; base, covers and front panels: agate grey, similar to RAL 7038; special colours on request

Protection class

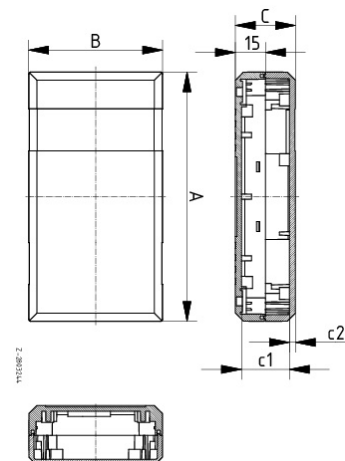
IP 40/DIN EN 60529; higher protection on request (EG..., EG...F)

Enclosure material

PS; for details see Technical Information

Scope of delivery: Lid, base, screws

Note: See following pages for accessories.



A	100 mm
B	54 mm
C	40 mm
c1	35 mm
c2	2,5 mm

Technical drawings

3D product data in STEP format:

[Registration necessary](#)

Basic drawing for processing work:

[32104000_EG-1040-G.dxf](#) (470 KB)

Catalogue drawing in DXF format:

[32104000_EG-1040.dxf](#) (782 KB)

Catalogue drawing in PDF format:

[32104000_EG-1040.pdf](#) (128 KB)

Chapter download

[Elegant_GB.pdf](#) (453 KB)

Accessories



Wall brackets, ABS

33000200 [EG-WL](#)
33000210 [EG-WL DO](#)

Only for use with EG-DO..



Quick-release fastener for EG 12.. – 20.., polyamide

33000400 [EG-SV](#)



Press-in tool for EG-SV

33000405 [EG-WZ](#)



Mounting panel, laminated paper

33010000* [EG-M 10](#)

For EG 10..



Covers for keyhole suspension

33000100 [EG-AK](#)



Screw cover, ABS

33000300 [EG-SA](#)



Rubber feet

22009000 [GF](#)

Polyurethane, 65-75 Shore Black

