

RCP 250 F



RegloCard-Plus with screw-on front lid for membrane keypads
Enclosure with Pg pre-punchings in the terminal compartment

Order no.: 41250609

Colour of enclosure group

Light grey, similar to RAL 7035; special colours on request

Protection class

Up to IP 65/DIN EN 60529, depending on the model

Enclosure material

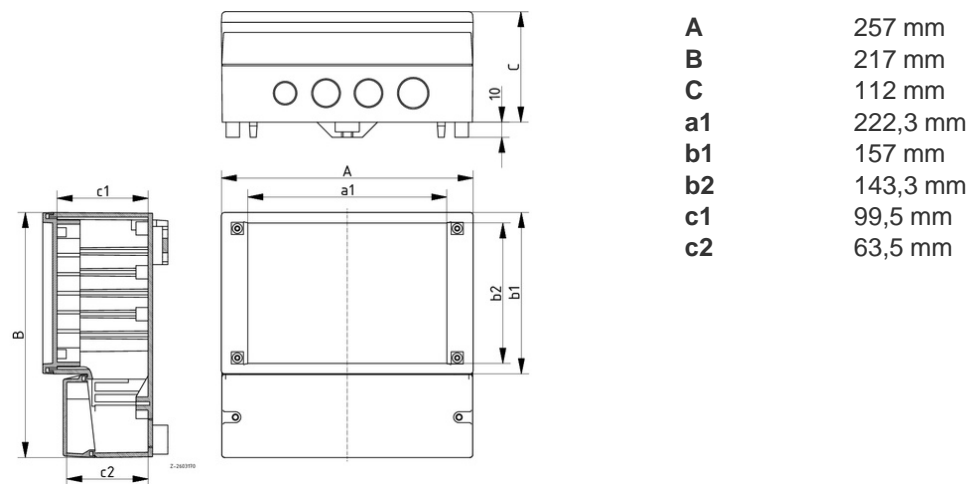
ABS, PC; seal made of EPDM; UL 94 V0 types on request; for details see Technical Information

Note

Pre-punchings: 1 x Pg 9, 5 x Pg 11, 1 x Pg 13,5

Scope of delivery: Base, recessed front lid, terminal compartment lid, screw covers, screws

Note: Designs RCP 130 F to 250 F: IP 65; RCP 310 F to 400 F: IP 54. Enclosures in UL 94 V0 and/or without pre-punchings on request. See following pages for accessories.



Technical drawings

3D product data in STEP format:

[Registration necessary](#)

Catalogue drawing in DXF format:

[41250609_2601277.dxf](#) (1.0 MB)

Catalogue drawing in PDF format:

[41250609_2601277.pdf](#) (197 KB)

Chapter download

[RegloCard-Plus Combifront InterCard GB.pdf](#) (711 KB)

Accessories



Wall brackets, screw-on at rear

41000309 [RCP/RCPM - WL](#)



Mounting panels, laminated paper

41000600 [RCP/RCPM 250 M](#) For RCP(M) 250(0) Brown