

# UM 32609



Ultramas UM 3...09 (L)  
 Enclosure, plain

**Order no.: 55326000**

**Colour of enclosure group**

Light grey, similar to RAL 7035; screw covers, brackets and feet agate grey, similar to RAL 7038; special colours on request

**Protection class**

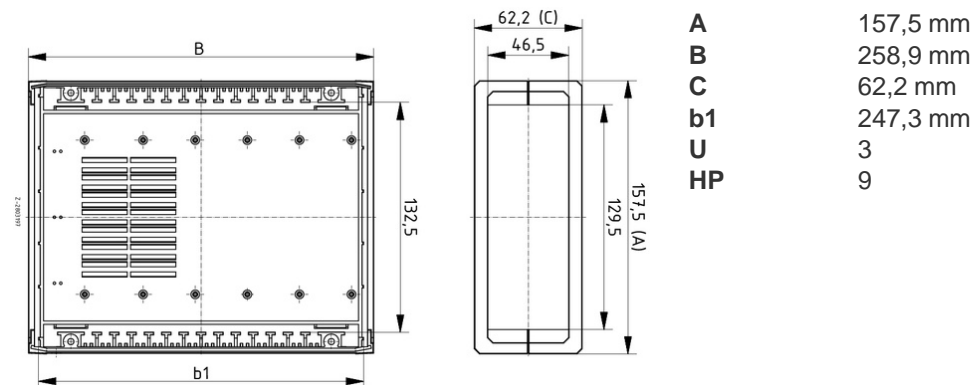
Plain: IP 40/DIN EN 60529; with air vents: IP 30/DIN EN 60529

**Enclosure material**

ABS; for details see Technical Information

Scope of delivery: 2 half-shells, 8 covers, 4 rubber feet, 4 screws

Note: See following pages for accessories.



**Technical drawings**

Catalogue drawing in DXF format:  
[55326000\\_UM-32609.dxf](#) (618 KB)  
 Catalogue drawing in PDF format:  
[55326000\\_UM-32609.pdf](#) (60 KB)  
 3D product data in STEP format:  
[Registration necessary](#)  
 Basic drawing for processing work:  
[55326000\\_UM-32609-G.dxf](#) (1.0 MB)

**Chapter download**

[Ultramas\\_GB.pdf](#) (433 KB)

# Accessories



## Tip-up foot set

56012000 [UM-AS](#)



## Tip-up foot set, collapsible

56012100 [UM-ASK](#)



## Wall brackets

56002000 [UM-WLH](#)



## Connection brackets

56002200\* [UM-VHH](#)



## Front panels, natural-coloured anodised aluminium

56030900	<a href="#">FP 30009</a>	For UM 3..09
56031200	<a href="#">FP 30012</a>	For UM 3..09 + 1x AB 02.03
56031800	<a href="#">FP 30018</a>	For UM 3..09 + 1x AB 02.09 (L) and for UMP 32018 (FP)
56032100	<a href="#">FP 30021</a>	For UM 3..09 + 1x AB 02.03 + 1x AB 02.09 (L)
56032700	<a href="#">FP 30027</a>	For UM 3..09 + 2x AB 02.09 (L)
56033000	<a href="#">FP 30030</a>	For UM 3..09 + 1x AB 02.03 + 2x AB 02.09 (L)
56033600	<a href="#">FP 30036</a>	For UM 3..09 +3x AB 02.09 (L)



## Front panels, ABS, light grey, similar to RAL 7035, embossed on one side

56030910	<a href="#">FPK 30009</a>	For UM 3..09
56031210	<a href="#">FPK 30012</a>	For UM 3..09 + 1x AB 02.03
56031810	<a href="#">FPK 30018</a>	For UM 3..09 + 1x AB 02.09 (L) and for UMP 32018 (FP)
56032110	<a href="#">FPK 30021</a>	For UM 3..09 + 1x AB 02.03 + 1x AB 02.09 (L)
56032710	<a href="#">FPK 30027</a>	For UM 3..09 + 2x AB 02.09 (L)
56033010	<a href="#">FPK 30030</a>	For UM 3..09 + 1x AB 02.03 + 2x AB 02.09 (L)
56033610	<a href="#">FPK 30036</a>	For UM 3..09 +3x AB 02.09 (L)



**Extension set, plain, with air vents (L), 3 HP / 9 HP**

56026500	<a href="#">AB 02603</a>	3 HP; For UM 32609(L), 62609(L)
56026000	<a href="#">AB 02609</a>	9 HP; For UM 32609(L), 62609(L)
56026010	<a href="#">AB 02609 L</a>	9 HP; For UM 32609(L), 62609(L)