

RCP 2500



RegloCard-Plus with crystal-clear lid, hinged and with snap lock, IP 65
 Enclosure with Pg pre-punchings in the terminal compartment

Order no.: 41250109

Colour of enclosure group

Light grey, similar to RAL 7035; special colours on request

Protection class

Up to IP 65/DIN EN 60529, depending on the model

Enclosure material

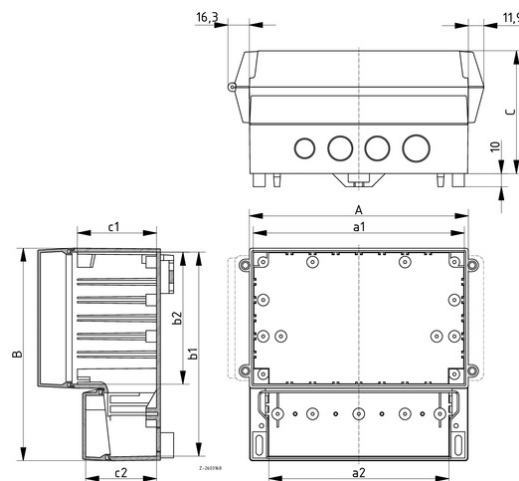
ABS, PC; seal made of EPDM; UL 94 V0 types on request; for details see Technical Information

Note

Pre-punchings: 1 x Pg 9, 5 x Pg 11, 1 x Pg 13,5

Scope of delivery: Base, crystal-clear lid, hinged, mounted with snap lock, terminal compartment lid, catch, blind plug, screws

Note: * = Available on request. Enclosures without pre-punchings on request. See following pages for accessories.



A	257 mm
B	217 mm
C	132,5 mm
a1	251/250 mm
a2	227,5 mm
b1	210 mm
b2	151 mm
c1	99,5 mm
c2	63,5 mm

Technical drawings

3D product data in STEP format:

[Registration necessary](#)

Catalogue drawing in DXF format:

[41250109_2600821.dxf](#) (1.0 MB)

Catalogue drawing in PDF format:

[41250109_2600821.pdf](#) (211 KB)

Chapter download

[RegloCard-Plus_Combifront_InterCard_GB.pdf](#) (711 KB)

Accessories



Cylinder catch / hand knob for retro-fitting in the snap-lock mechanism

21008310 [SHLO-302](#) Cylinder catch
41002501 [RCP/RCPM - HK](#) Hand knob



Wall brackets, screw-on at rear

41000309 [RCP/RCPM - WL](#)



Mounting panels, laminated paper

41000600 [RCP/RCPM 250 M](#) For RCP(M) 250(0) Brown



Front panels, natural-coloured anodised aluminium

27000700 [FAE 250](#) For RCP(M) 250(0)



Cylinder lock

21008310 [SHLO-302](#) Cylinder catch