

# PIEZO BUZZER

Customer	
Customer P/O	
Bestar Model Name	BPT24X
Product No.	040600
Issue No.	BS/TEP01.046A
Issue Date	01/06/10

Approval:

- 1.Ordering Information
- 2.Characteristic
- 3.Drawing
- 4.Reliability Test



BESTAR ELECTRONICS INDUSTRY CO.,LTD  
TianAn Industry Park4/F,Site B ChangZhou New District  
Tel:86-519-5103228  
Fax:86-519-5131010  
Http:www.be-star.com  
E-Mail:bestarco@pub.cz.jsinfo.net

## BPT-24X

### 1. Ordering Information

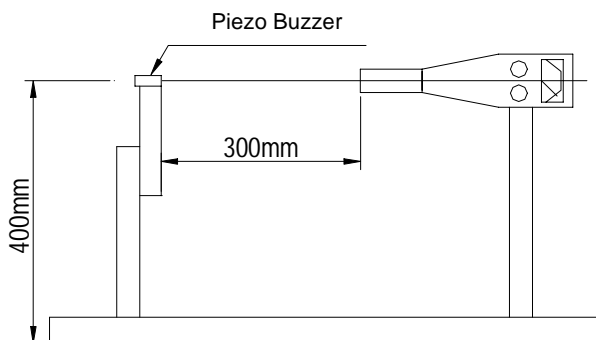
BPT-24X  
 BPT: Bestar Piezo Transducer  
 24 : Buzzer Size - diameter=24mm  
 X : with built-in circuit

### 2. Characteristic

#### Electrical and Mechanical Characteristics

No.	Item	Specification
1.	Rated Voltage	12V
2.	Operating Voltage	3...20V
3.	a)Rated Current	max.8mA
4.	a)Sound Output at 30cm	min.90dB
5.	a)Resonance Frequency	3700± 500Hz
6.	Operating Temperature	-20...+60° C
7.	Storage Temperature	-30...+70° C
8.	Weight	5 g
	a)Value applying at rated voltage	

#### ★Standard Output Measurement Setup

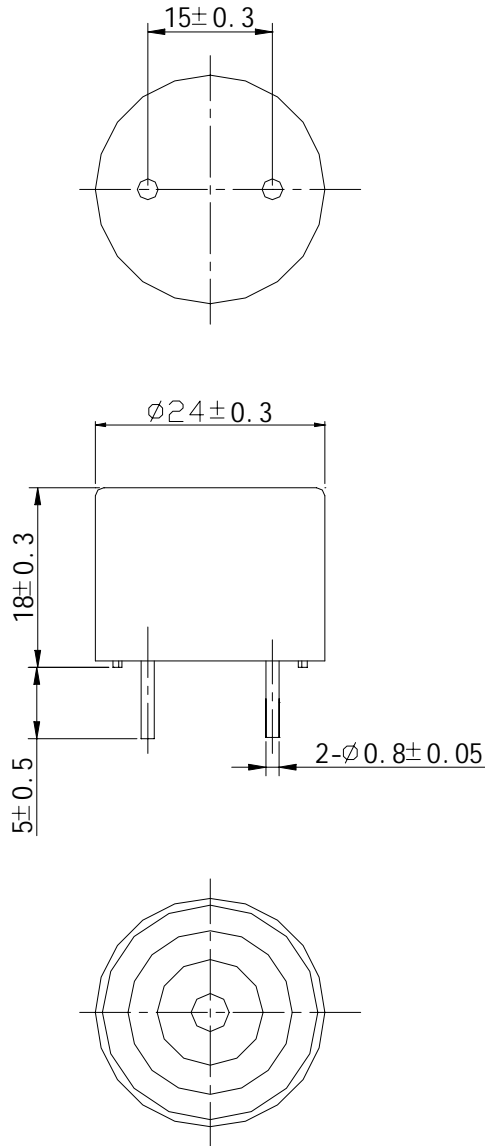


This print and information therein are proprietary to Bestar Electronics Industry Co., Ltd. and shall not be used in whole or in part without its written content 040600

DIS.		DATE		Page:1 of 3	BPT24X
CHEC.		DATE		3rd angle projection	
APPR.		DATE			
 <b>BESTAR ELECTRONICS INDUSTRY CO.,LTD</b> TianAn Industry Park 4/F,Site B ChangZhou New District E-Mail:bestarco@ pub.cz.jsinfo.net Http:www.be-star.com					DRG NO BS/TEP01.046A

## BPT-24X

### 3. Drawing



This print and information therein are proprietary to Bestar Electronics Industry Co., Ltd. and shall not be used in whole or in part without its written content 040600

DIS.		DATE		Page:2 of 3 3rd angle projection	BPT24X
CHEC.		DATE			
APPR.		DATE			Piezo Buzzer
 <b>BESTAR ELECTRONICS INDUSTRY CO.,LTD</b> TianAn Industry Park 4/F,Site B ChangZhou New District E-Mail:bestarco@ pub.cz.jsinfo.net Http:www.be-star.com					DRG NO BS/TEP01.046A

This print and information therein are proprietary to Bestar Electronics Industry Co., Ltd. and shall not be used in whole or in part without its written content 040600

## BPT-24X

### 4. Reliability Test

#### 4.1 High temperature test

Temperature +70° C  
 Duration 96hrs

#### 4.2 Low temperature test

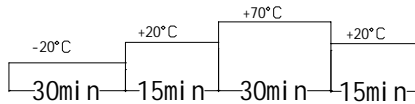
Temperature -30° C  
 Duration 96hrs

#### 4.3 Life test in normal temperature

Power supply rated voltage  
 Duration 1000hrs

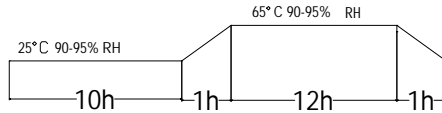
#### 4.4 temperature cycle test

Cycles 5



#### 4.5 Humidity cycle test

Cycles 5



all these tests above should be measured after leaving normal temperature for 2hrs.


#### 4.6 Drop test

Height 70cm  
 (to 10mm thickness woodenboard)  
 Direction 3

#### 4.7 Solderability

Temperature 245± 5° C  
 Duration 3sec

Notice: All specification must be satisfied in this condition.

DIS.		DATE		Page:3 of 3	BPT24X
CHEC.		DATE			
APPR.		DATE		Piezo Buzzer	
 BESTAR ELECTRONICS INDUSTRY CO.,LTD TianAn Industry Park 4/F,Site B ChangZhou New District E-Mail:bestarco@ pub.cz.jsinfo.net Http:www.be-star.com				DRG NO BS/TEP01.046A	