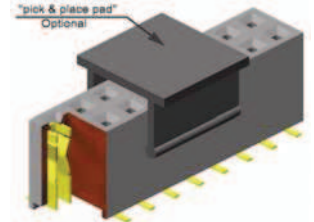
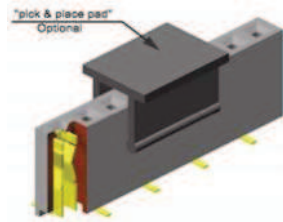
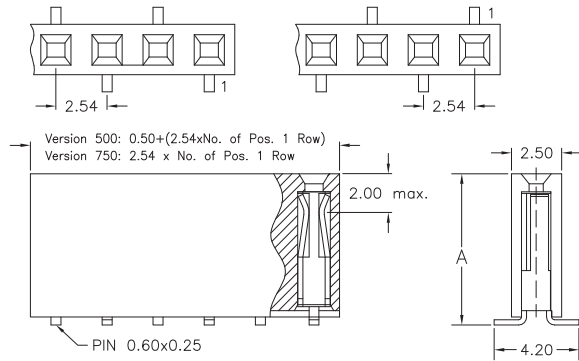


# 2.54mm pitch Female Header - SMT - Top & Bottom Entry 7.50mm & 5.00mm profile

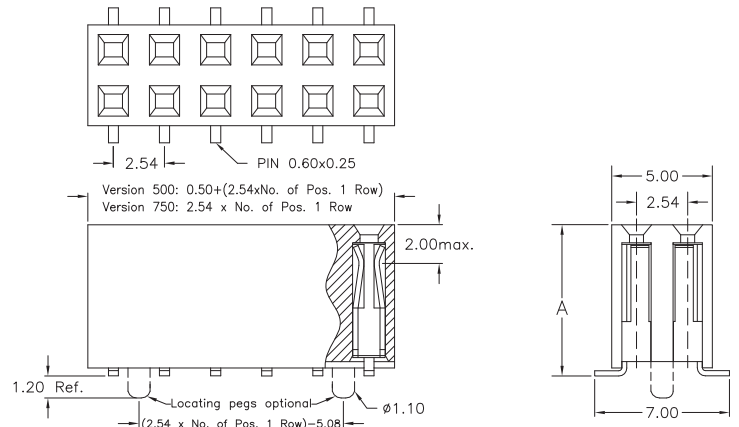


## Version and Foot style

### 500 & 750



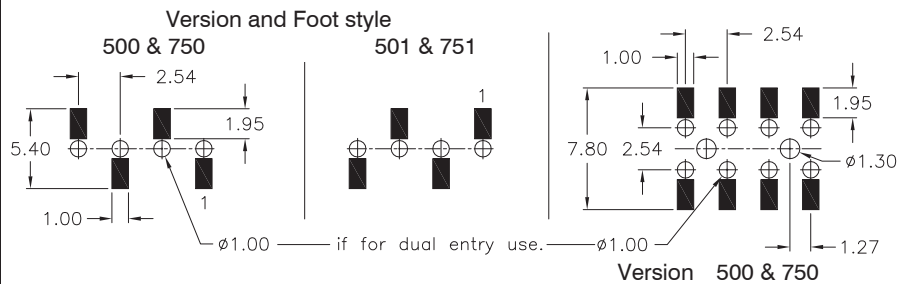
### Version 500 & 750



## APPLICATION AND FEATURES

- **Standard: tube packing and without "pick & place pad"**
- 5.00mm & 7.50mm height above board. Hi-rel dual beam contacts.
- Mating with 2.54mm pitch, 0.64mm sq. or round pin headers.

## PCB Surface Mount & Hole Layout



## SPECIFICATIONS

Current rating	3 A	Operating temperature	-40° C to +105° C
Insulator resistance	1000 MΩ min.	Processing temperature	+250° C +0/-5° C for 10sec.
Contact resistance	20 mΩ max.	Contact material	Phosphor Bronze
Withstanding voltage	500 V AC	Insulator material	Nylon UL 94 V-0

## How to order

BS x - xxx - H xxx - 55 / X

Rows	Nbr of contacts	Version & Foot style	Plating	Packing and "pick & place pad" Option
1 single row	002 to 040	<b>500</b> DIM "A" = 5.00 mm <b>501</b> (optional foot layout) <b>750</b> DIM "A" = 7.50 mm <b>751</b> (optional foot layout) Pls. choose <b>500</b> or <b>750</b> style if odd pin count	<b>55</b> = gold  Other platings on request	<b>A</b> = tube packing; with pick & place pad <b>B</b> = reel packing; with pick & place pad  <b>without "locating pegs"</b> <b>A</b> = tube packing; with pick & place pad <b>B</b> = reel packing; with pick & place pad  <b>with "locating pegs"</b> <b>C</b> = tube packing; without pick & place pad <b>D</b> = tube packing; with pick & place pad <b>E</b> = reel packing; with pick & place pad
2 dual row	004 to 080	<b>500</b> DIM "A" = 5.00 mm <b>750</b> DIM "A" = 7.50 mm		