

Circular Connectors C 16-3 Male receptacle size 1; with mounted gasket, No. of contacts 17 + PE, 100 V, 6 A, Termination: crimp, Contact plating: silver plated / gold plated, without contacts



View represents all available contact positions.

Part No.	C016 10C017 000 1
Series	Circular Connectors C 16-3
Subseries	Circular Connector C 16-3

COMMON CHARACTERISTICS		
No. of contacts		17 + PE
Version		size 1; with mounted gasket
ELECTRICAL CHARACTERISTICS		
Rated voltage	DIN EN 60664-1 / IEC 60664-1	100V
Rated voltage	UL 1977	250V
Rated impulse voltage	DIN EN 60664-1 / IEC 60664-1	3000V
Rated current at 40°C		6 A
Installation category	DIN EN 60664-1 / IEC 60664-1	III
Insulation group	DIN EN 60664-1 / IEC 60664-1	II
Insulation resistance	DIN EN 60512-2, Test 3a / IEC 60512-2, Test 3a	$\geq 10^8 \Omega$
Contact resistance	DIN EN 60512-2, Test 2a / IEC 60512-2 Test 2a	$\leq 5 \text{ m}\Omega$
Current carrying capacity	DIN EN 60512-3, Test 5b / IEC 60512-2 Test 5b	6 A
Pollution degree	DIN EN 60664-1 / IEC 60664-1	3
CLIMATICAL CHARACTERISTICS		
Climatic category	DIN EN 60068-1 / IEC 60068-1	40 / 125 / 56
Operating temperature		-40°C ... +125°C
MECHANICAL CHARACTERISTICS		
IP degree of protection	DIN EN 60529 / IEC 60529	IP 65
Insertion and withdrawal force	DIN EN 60512-13-2, Test 13b / IEC 60512-13-2, Test 13b	$\leq 22 \text{ N}$
Mechanical lifetime	DIN EN 60512-9-1, Test 9a	≥ 500 mating cycles
MATERIALS		
Contact plating		silver plated / gold plated
Housing		Polyamid 6.6
Gasket		Neoprene
Dielectric material		Polyamid 6.6
FURTHER CHARACTERISTICS		
Termination		crimp
Wire gauge		0,09 - 1,0 mm ²
Wire gauge (AWG)		28 - 18
Flammability	UL 94	V-0
Locking		Bayonet



3964



E63093



48932

Amphenol

Amphenol-Tuchel Electronics GmbH

Data sheet

Circular Connectors C 16-3 Male receptacle size 1; with mounted gasket, No. of contacts 17 + PE, 100 V, 6 A, Termination: crimp, Contact plating: silver plated / gold plated, without contacts

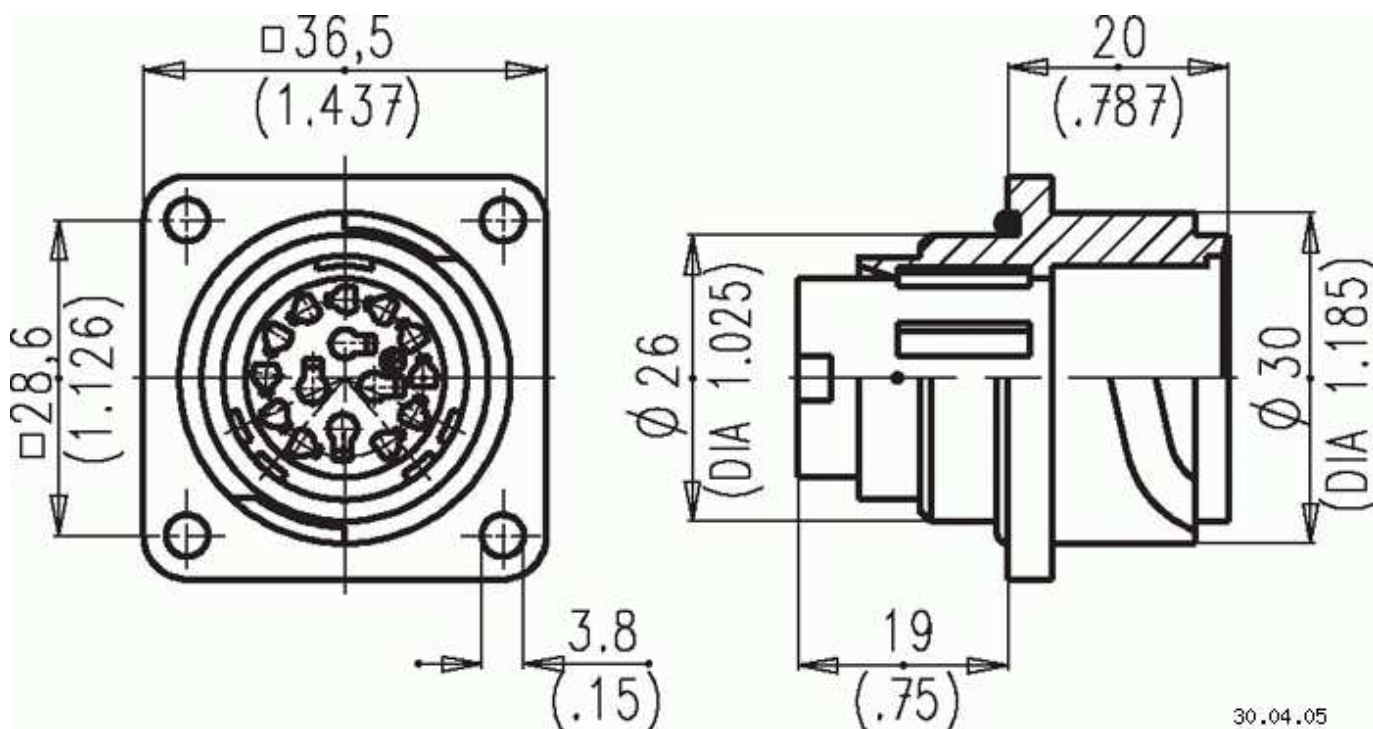
Part No. C016 10C017 000 1

Series Circular Connectors C 16-3

Subseries Circular Connector C 16-3



View represents all available contact positions.



Drawing Dimensions in mm (Inch)

Amphenol

Amphenol-Tuchel Electronics GmbH

Data sheet

Circular Connectors C 16-3 Male receptacle size 1; with mounted gasket, No. of contacts 17 + PE, 100 V, 6 A, Termination: crimp, Contact plating: silver plated / gold plated, without contacts

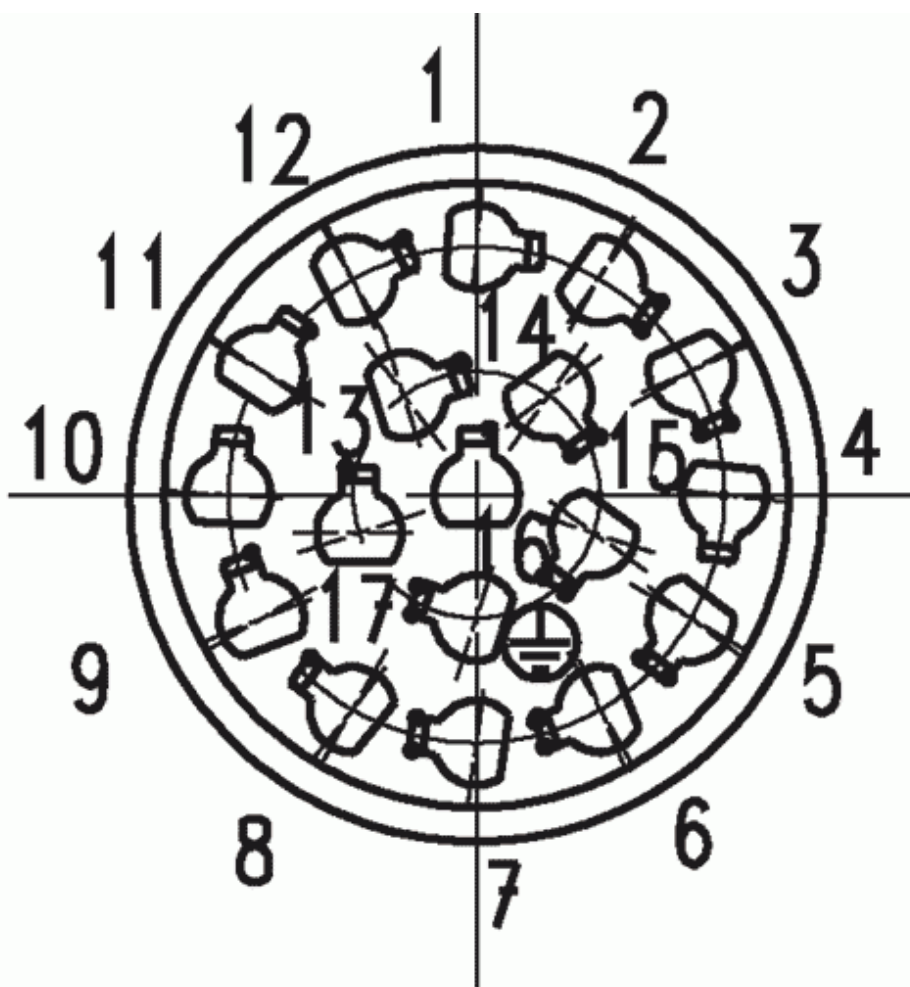
Part No. C016 10C017 000 1

Series Circular Connectors C 16-3

Subseries Circular Connector C 16-3



View represents all available contact positions.



Contact arrangement

Warranties, Liability The information on this data sheet is provided "e;as is"; and without warranty of merchantability or fitness for any particular purpose. While the information provided is believed to be accurate, it may include errors or inaccuracies. In no event shall Amphenol-Tuchel Electronics GmbH be liable for any special, indirect or consequential damages relating to this material, unless caused by gross negligence or law infringement. We reserve the right to change the design due to improvement in quality, development or production requirements. Copyrights © Copyright Amphenol-Tuchel Electronics GmbH, Heilbronn, Germany. All rights reserved. Amphenol-Tuchel Electronic GmbH retains copyright in the entire text and graphic content of this data sheet. Modification, distribution, reposting or making available on another server any of our web content without the written permission of Amphenol-Tuchel is not allowed. Amphenol-Tuchel Electronics GmbH • August-Haeusser-Str. 10 • 74080 Heilbronn • Germany • Phone +49 7131 929-0 • Fax +49 7131 929-486 • info@amphenol.de • www.amphenol.info