

eco|mate Female receptacle, No. of contacts 6 + PE, 250 V

Part No. C016 30G006 100 12

Series Circular Connectors eco|mate

Subseries Circular Connector eco|mate



View represents all available contact positions.

| COMMON CHARACTERISTICS         |  |                          |
|--------------------------------|--|--------------------------|
| No. of contacts                |  | 6 + PE                   |
| Cable diameter                 |  | 6-12.5 mm                |
| ELECTRICAL CHARACTERISTICS     |  |                          |
| Rated voltage                  | DIN EN 60664-1 / IEC 60664-1                           | 250 V                    |
| Rated impulse voltage          | DIN EN 60664-1 / IEC 60664-1                           | 4000V                    |
| Installation category          | DIN EN 60664-1 / IEC 60664-1                           | III                      |
| Insulation group               | DIN EN 60664-1 / IEC 60664-1                           | II                       |
| Insulation resistance          | DIN EN 60512-2, Test 3a / IEC 60512-2, Test 3a         | $\geq 10^8$              |
| Contact resistance             | DIN EN 60512-2, Test 2a / IEC 60512-2 Test 2a          | $\leq 5$ m               |
| Current carrying capacity      | DIN EN 60512-3, Test 5b / IEC 60512-2 Test 5b          | 10 A / + 55 °C           |
| Pollution degree               | DIN EN 60664-1 / IEC 60664-1                           | 3                        |
| CLIMATICAL CHARACTERISTICS     |  |                          |
| Climatic category              | DIN EN 60068-1 / IEC 60068-1                           | 40 / 125 / 56            |
| Operating temperature          |  | -40°C ... +125°C         |
| MECHANICAL CHARACTERISTICS     |  |                          |
| IP degree of protection        | DIN EN 60529 / IEC 60529                               | IP 67 / IP 65            |
| Insertion and withdrawal force | DIN EN 60512-13-2, Test 13b / IEC 60512-13-2, Test 13b | $\leq 30$ N              |
| Mechanical lifetime            |  | $\geq 500$ mating cycles |
| MATERIALS                      |  |                          |
| Insert                         |  | Polyamid (PA 6 / PA 6.6) |
| Colour                         |  | black                    |
| Contact plating                |  | silver plated            |
| Housing                        |  | Polyamid (PA 6 / PA 6.6) |
| Gasket                         |  | Neoprene                 |
| FURTHER CHARACTERISTICS        |  |                          |
| Termination                    |  | solder                   |
| Wire gauge                     |  | 0,75 mm <sup>2</sup>     |
| Flammability                   | UL 94  | V-0                      |
| Locking                        |  | screw                    |



1781, 1780



E63093



48932



00.0394

ecoj|mate Female receptacle, No. of contacts 6 + PE, 250 V

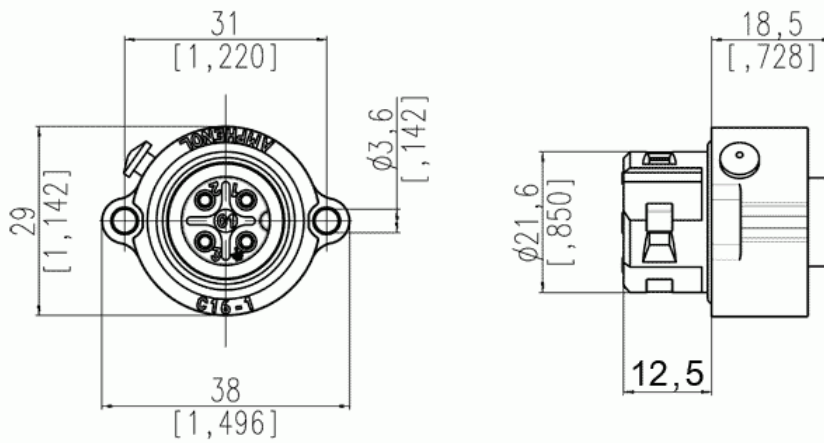
Part No. C016 30G006 100 12

Series Circular Connectors ecoj|mate

Subseries Circular Connector ecoj|mate



View represents all available contact positions.



Drawing Dimensions in mm (Inch)

26.07.2007

eco|mate Female receptacle, No. of contacts 6 + PE, 250 V

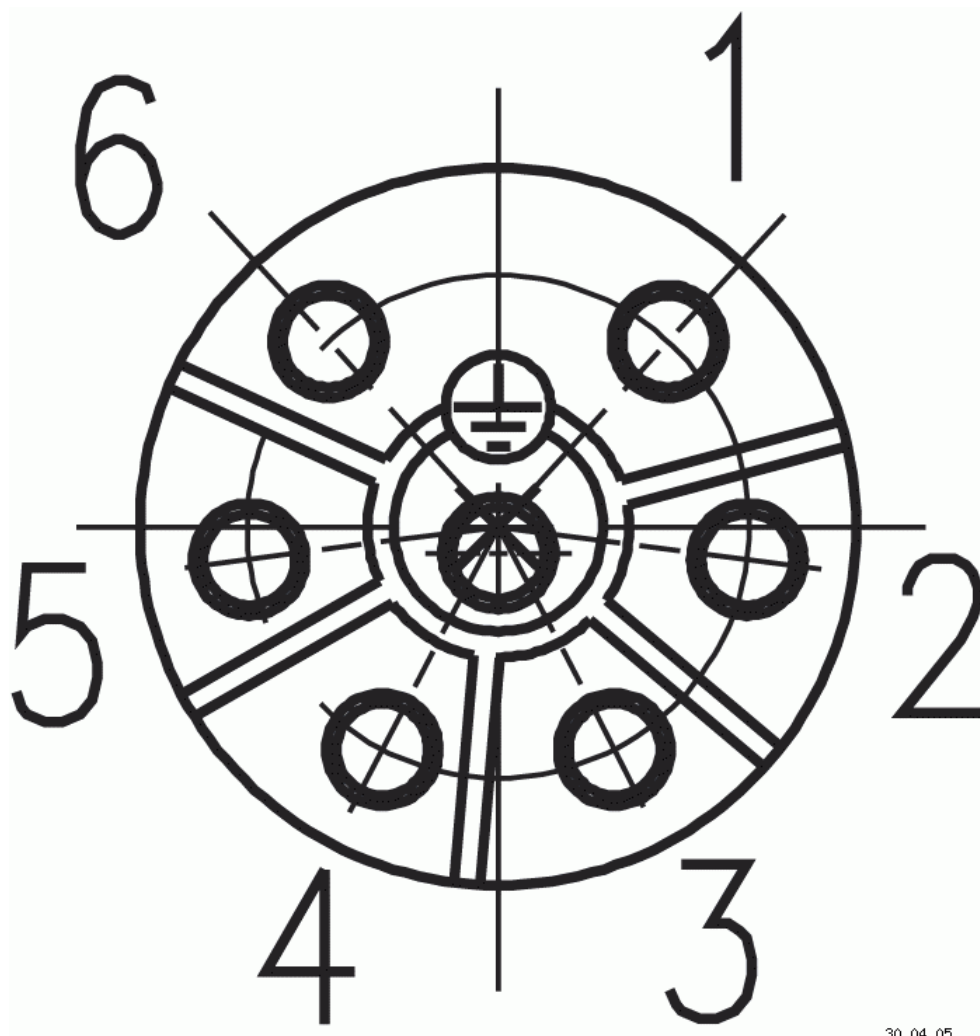
Part No. C016 30G006 100 12

Series Circular Connectors eco|mate

Subseries Circular Connector eco|mate



View represents all available contact positions.



Contact arrangement

30.04.05

eco|mate Female receptacle, No. of contacts 6 + PE, 250 V

Part No. C016 30G006 100 12

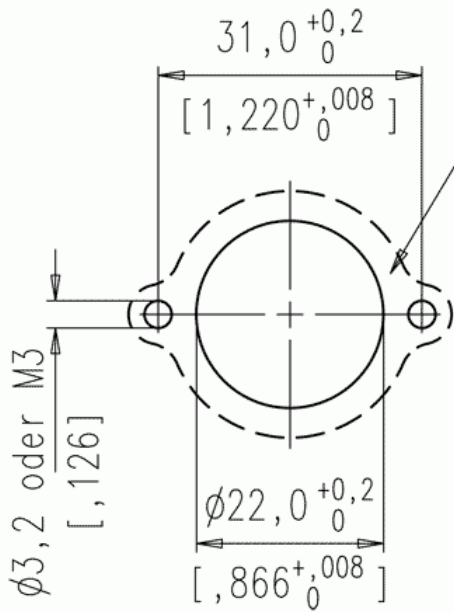
Series Circular Connectors eco|mate

Subseries Circular Connector eco|mate



View represents all available contact positions.

## Mounting Cut-Out / Montageausschnitt



**For sealing reasons  
this surface needs to be  
level and free of burrs**

**Dichtfläche in diesem  
Bereich eben und  
gratfrei**