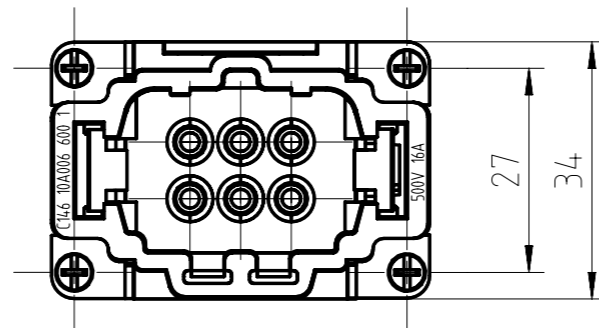
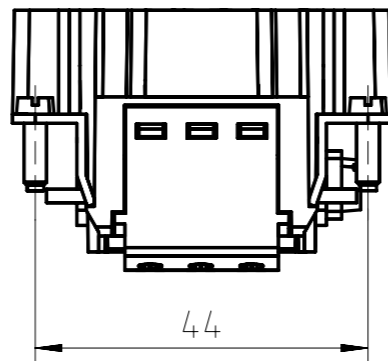
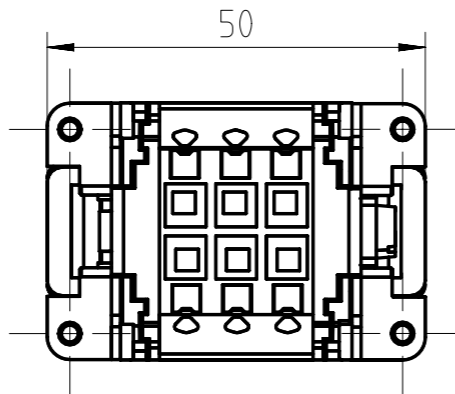
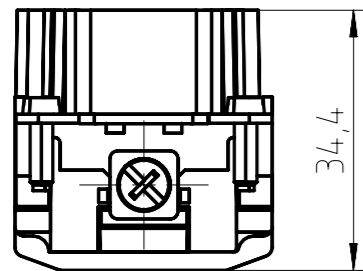
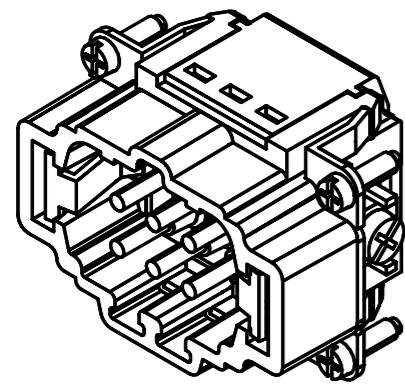
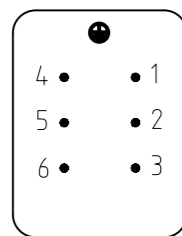


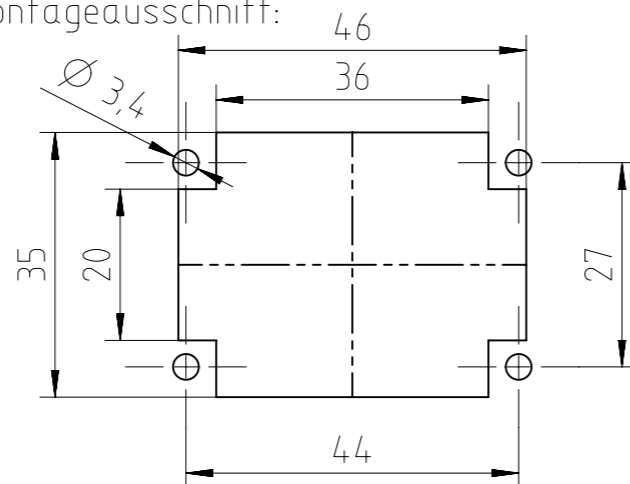
Copying of this document and giving it to others and the use or communication of the contents thereof, are forbidden without express authority. Offenders are liable to the payment of damages. All rights are reserved in the event of the grant of a patent or the registration of the utility model or design.



Polbild Anschlussseite



Montageausschnitt:



Characteristics

General Characteristics	Standard	Value
note		Connectors may only be operated when there is no load / the power is switched off. Can be used for solid wires and stranded wires with ferrule.
number of poles		6+
connection method		Push-in connection
conductor cross section		0,14 - 2,5 mm ² (AWG 26 - 14)
stripping length		8 - 10 mm
Electrical Characteristics	Standard	Value
pollution degree	IEC 60664-1	3
surge voltage category	IEC 60664-1	III
rated voltage (III/3)	IEC 60664-1	500 V
rated surge voltage	IEC 60664-1	6 kV
rated current	IEC 60664-1	16 A
Climatical Characteristics	Standard	Value
ambient temperature (operation)		-40°C - 125 °C (including heating up of contacts)
Mechanical Characteristics	Standard	Value
insertion/ withdrawal cycles	IEC 60512-9-1	≥ 500
Material data	Standard	Value
flammability	UL 94	V-0
contact material		copper alloy
contact surface material		Ag
contact carrier material		PA

Alle technischen Daten wurden unter Laborbedingungen ermittelt und können im Praxisbetrieb abweichen. Es handelt sich bei den Angaben weder um Beschaffenheits- noch um Haltbarkeitsgarantien.
 All technical data have been measured in a laboratory environment and can be different during practical usage of the product. Any product information is for descriptive usage only and not legally binding; particularly the information does not constitute or provide any legal guarantees ("Beschaffenheitsgarantie" or "Haltbarkeitsgarantie").

Gewicht (errechnet) / Calc WT: g		Zul. Abw./ Tolerances:		Maßstab / Scale: 1:1		A3			
Prüfmaß / Testdimension				CUSTOMER DRAWING					
Teileindex Partindexnumber		2014 Datum/Date		Name Holley		Stifteinsatz 6+PE male insert 6+PE			
01		28.01.14		Holley		M C146 10A006 600 1			
Index		Änderung/Description		Datum/Date		Name		Blatt/Sheet 1 1 Bl.	
						Ers. f. / Replacement for:			

Weitergabe sowie Vervielfältigung dieser Unterlage, Verwertung und Mitteilung ihres Inhalts nicht gestattet, soweit nicht ausdrücklich zugestanden. Zuwiderhandlungen verpflichten zu Schadensersatz. Alle Rechte für den Fall der Patenterteilung oder Gebrauchsmuster-Eintragung vorbehalten.