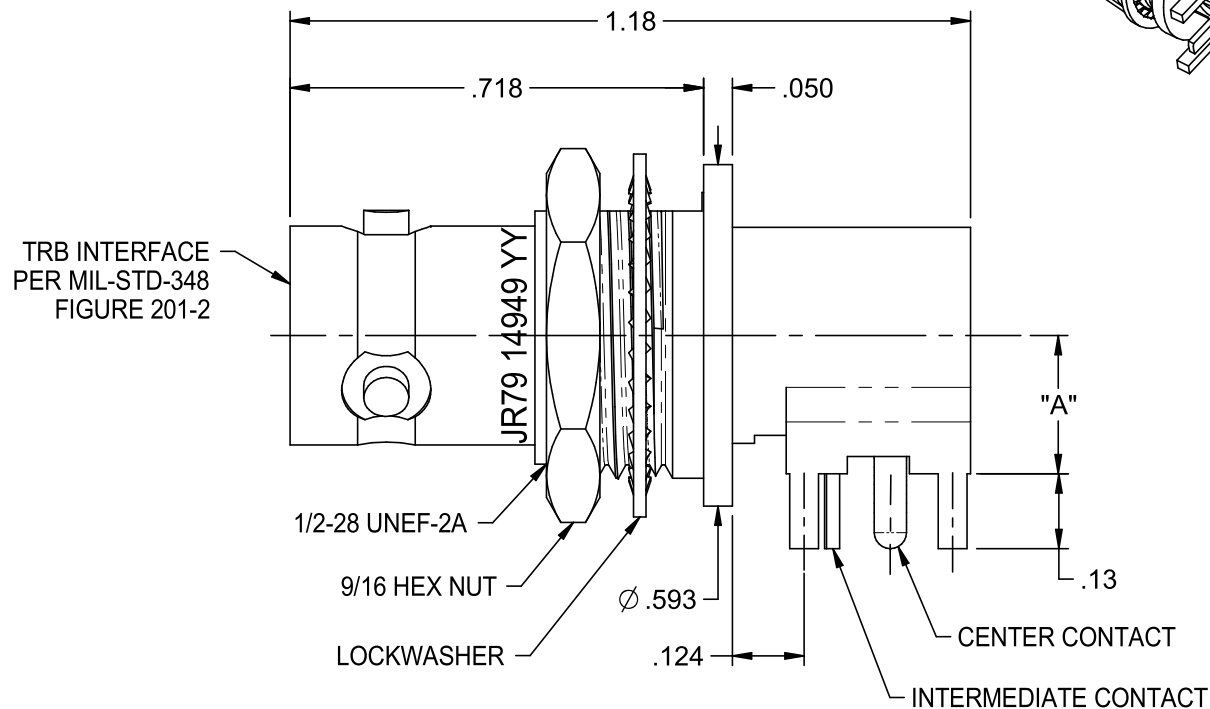
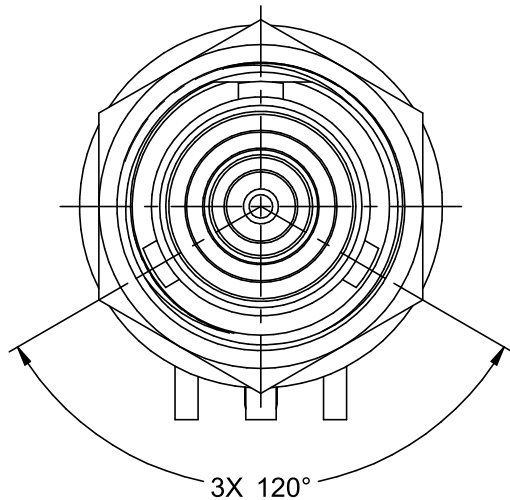
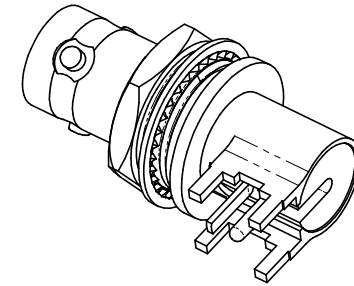


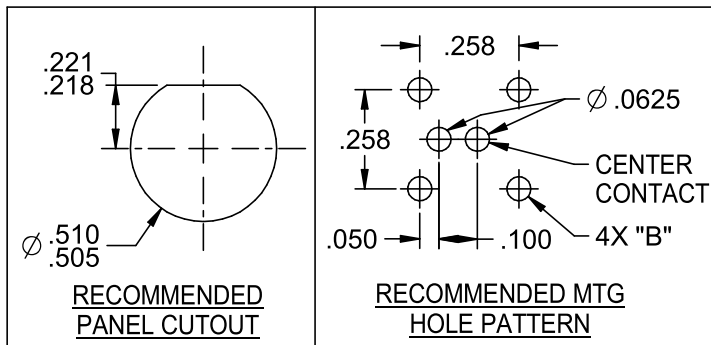
MODEL NO.	"A"	Ø "B"
CBBJR79	.24	.063
CBBJR79A	.34	.070



CBBJR79 SHOWN

NOTES: UNLESS OTHERWISE SPECIFIED

1. MATERIALS AND FINISH:
 - 1.1 BODY: TIN PLATED BRASS
 - 1.2 OUTER INSULATOR: PTFE (TEFLON)
 - 1.3 INTERMEDIATE CONTACT: GOLD PLATED BRASS
 - 1.4 DIELECTRIC: PTFE (TEFLON)
 - 1.5 CENTER CONTACT: GOLD PLATED BERYLLIUM COPPER
 - 1.6 MOUNTING HARDWARE: TIN PLATED COPPER ALLOY
2. ELECTRICAL:
 - 2.1 IMPEDANCE: NON-CONSISTANT
 - 2.2 FREQUENCY (MAX): 500 MHZ
3. PANEL THICKNESS (MAX): .125
4. PANEL NUT TORQUE (MAX): 35 INCH POUNDS



<p>EMERSON Network Power Connectivity Solutions</p> <p>This PROPRIETARY Document is property of Emerson Network Power Connectivity Solutions. It is confidential in nature, non-transferable, and issued with the clear understanding that it is not to be used or copied without permission and is returnable upon demand.</p> <p>INTERPRET DRAWING IN ACCORDANCE WITH ASME Y14.5:2009.</p>	<p>3RD ANGLE PROJECTION</p> <p>RoHS2 <input checked="" type="checkbox"/></p> <p>2011/65/EU</p> <p>UNLESS OTHERWISE SPECIFIED UNITS: INCH</p> <p>.XX ± .02</p> <p>.XXX ± .005</p> <p>ANGLES ± 2°</p>	<p>TROMPETER</p> <p>Title: TRB RIGHT ANGLE CIRCUIT BOARD JACK</p>	
		<p>Model No. CBBJR79X</p>	
Size A	DO NOT SCALE DRAWING	Date: 11/4/2014	Sheet 1 of 1