

DATA SHEET

SURFACE-MOUNT CERAMIC MULTILAYER CAPACITORS

General purpose

Class 1, NP0

16 V TO 50 V

0.22 pF to 100 nF

RoHS compliant & Halogen Free



SCOPE

This specification describes NPO series chip capacitors with lead-free terminations.

APPLICATIONS

- Consumer electronics for example
 - Tuners
 - Television receivers
 - All types of cameras
- Telecommunications
- Data processing

FEATURES

- Supplied in tape on reel
- Nickel-barrier end termination
- RoHS compliant
- Halogen Free compliant

ORDERING INFORMATION - GLOBAL PART NUMBER, PHYCOMP

CTC & I2NC

All part numbers are identified by the series, size, tolerance, TC material, packing style, voltage, process code, termination and capacitance value.

YAGEO BRAND ordering code

GLOBAL PART NUMBER (PREFERRED)

CC xxxx x x **NPO** x **BN** xxx
 (1) (2) (3) (4) (5)

(1) SIZE – INCH BASED (METRIC)

- 0201 (0603)
- 0402 (1005)
- 0603 (1608)
- 0805 (2012)
- 1206 (3216)
- 1210 (3225)
- 1812 (4532)

(2) TOLERANCE

- B = ±0.1 pF
- C = ±0.25 pF
- D = ±0.5 pF
- F = ±1%
- G = ±2%
- J = ±5%
- K = ±10%

(3) PACKING STYLE

- R = Paper/PE taping reel; Reel 7 inch
- K = Blister taping reel; Reel 7 inch
- P = Paper/PE taping reel; Reel 13 inch
- F = Blister taping reel; Reel 13 inch
- C = Bulk case

(4) RATED VOLTAGE

- 7 = 16 V
- 8 = 25 V
- 9 = 50 V

(5) CAPACITANCE VALUE

2 significant digits+number of zeros
 The 3rd digit signifies the multiplying factor, and letter R is decimal point
 Example: 121 = 12 × 10¹ = 120 pF

CONSTRUCTION

The capacitor consists of a rectangular block of ceramic dielectric in which a number of interleaved metal electrodes are contained. This structure gives rise to a high capacitance per unit volume.

The inner electrodes are connected to the two end terminations and finally covered with a layer of plated tin (NiSn). The terminations are lead-free. A cross section of the structure is shown in Fig. 1

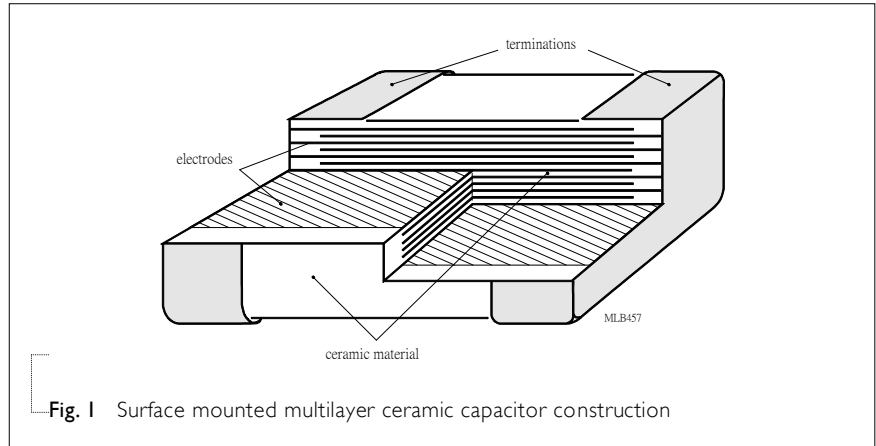


Fig. 1 Surface mounted multilayer ceramic capacitor construction

DIMENSION

Table I For outlines see fig. 2

| TYPE | L ₁ (mm) | W (mm) | T (MM) | L ₂ / L ₃ (mm) | | L ₄ (mm) |
|------|--------------------------|---------------------------|-----------------------|--------------------------------------|------|---------------------|
| | | | | min. | max. | min. |
| 0201 | 0.6 ±0.03 | 0.3 ±0.03 | Refer to table 2 to 5 | 0.10 | 0.20 | 0.20 |
| 0402 | 1.0 ±0.05 | 0.5 ±0.05 | | 0.20 | 0.30 | 0.40 |
| 0603 | 1.6 ±0.10 | 0.8 ±0.10 | | 0.20 | 0.60 | 0.40 |
| 0805 | 2.0 ±0.10 ⁽¹⁾ | 1.25 ±0.10 ⁽¹⁾ | | 0.25 | 0.75 | 0.55 |
| | 2.0 ±0.20 ⁽²⁾ | 1.25 ±0.20 ⁽²⁾ | | | | |
| 1206 | 3.2 ±0.15 ⁽¹⁾ | 1.6 ±0.15 ⁽¹⁾ | | 0.25 | 0.75 | 1.40 |
| | 3.2 ±0.30 ⁽²⁾ | 1.6 ±0.20 ⁽²⁾ | | | | |
| 1210 | 3.2 ±0.20 | 2.5 ±0.20 | | 0.25 | 0.75 | 1.40 |
| 1812 | 4.5 ±0.20 | 3.2 ±0.20 | | 0.25 | 0.75 | 2.20 |

OUTLINES

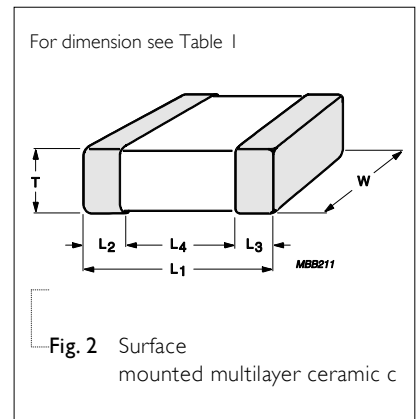


Fig. 2 Surface mounted multilayer ceramic capacitor outlines

NOTE

1. Dimension for size 0805 and 1206, C ≤ 1 nF
2. Dimension for size 0805 and 1206, C > 1 nF

CAPACITANCE RANGE & THICKNESS FOR NPO

Table 2 Sizes from 0201 to 0603

| CAP. | 0201 | | 0402 | | | 0603 | | |
|---------|----------|----------|----------|----------|----------|---------|---------|---------|
| | 25 V | 50 V | 16 V | 25 V | 50 V | 16 V | 25 V | 50 V |
| 0.22 pF | | | | | | | | |
| 0.47 pF | | | | | | | | |
| 0.82 pF | | | | | | | | |
| 1.0 pF | | | | | | | | |
| 1.2 pF | | | | | | | | |
| 1.5 pF | | | | | | | | |
| 1.8 pF | | | | | | | | |
| 2.2 pF | | | | | | | | |
| 2.7 pF | | | | | | | | |
| 3.3 pF | | | | | | | | |
| 3.9 pF | | | | | | | | |
| 4.7 pF | | | | | | | | |
| 5.6 pF | | | | | | | | |
| 6.8 pF | | | | | | | | |
| 8.2 pF | 0.3±0.03 | 0.3±0.03 | 0.5±0.05 | 0.5±0.05 | 0.5±0.05 | 0.8±0.1 | 0.8±0.1 | 0.8±0.1 |
| 10 pF | | | | | | | | |
| 12 pF | | | | | | | | |
| 15 pF | | | | | | | | |
| 18 pF | | | | | | | | |
| 22 pF | | | | | | | | |
| 27 pF | | | | | | | | |
| 33 pF | | | | | | | | |
| 39 pF | | | | | | | | |
| 47 pF | | | | | | | | |
| 56 pF | | | | | | | | |
| 68 pF | | | | | | | | |
| 82 pF | | | | | | | | |
| 100 pF | | | | | | | | |

NOTE

1. Values in shaded cells indicate thickness class in mm

CAPACITANCE RANGE & THICKNESS FOR NPO

Table 3 Sizes from 0201 to 0603 (continued)

| CAP. | 0201 | | 0402 | | | 0603 | | |
|--------|------|------|----------|----------|----------|---------|---------|---------|
| | 25 V | 50 V | 16 V | 25 V | 50 V | 16 V | 25 V | 50 V |
| 120 pF | | | | | | | | |
| 150 pF | | | | | | | | |
| 180 pF | | | | | | | | |
| 220 pF | | | | | | | | |
| 270 pF | | | 0.5±0.05 | 0.5±0.05 | 0.5±0.05 | | | |
| 330 pF | | | | | | | | |
| 390 pF | | | | | | | | |
| 470 pF | | | | | | | | |
| 560 pF | | | | | | | | |
| 680 pF | | | | | | 0.8±0.1 | 0.8±0.1 | 0.8±0.1 |
| 820 pF | | | | | | | | |
| 1.0 nF | | | 0.5±0.05 | 0.5±0.05 | 0.5±0.05 | | | |
| 1.2 nF | | | | | | | | |
| 1.5 nF | | | | | | | | |
| 1.8 nF | | | | | | | | |
| 2.2 nF | | | | | | | | |
| 2.7 nF | | | | | | | | |
| 3.3 nF | | | | | | | | |
| 3.9 nF | | | | | | | | |
| 4.7 nF | | | | | | | | |
| 5.6 nF | | | | | | | | |
| 6.8 nF | | | | | | | | |
| 8.2 nF | | | | | | | | |
| 10 nF | | | | | | | | |
| 12 nF | | | | | | | | |
| 15 nF | | | | | | | | |
| 18 nF | | | | | | | | |
| 22 nF | | | | | | | | |
| 33 nF | | | | | | | | |

NOTE

1. Values in shaded cells indicate thickness class in mm

CAPACITANCE RANGE & THICKNESS FOR NPO

Table 4 Sizes from 0805 to 1812

| CAP. | 0805 | | | 1206 | | | 1210 | | 1812 |
|---------|---------|---------|---------|---------|---------|---------|----------|----------|----------|
| | 16 V | 25 V | 50 V | 16 V | 25 V | 50 V | 25 V | 50 V | 50 V |
| 0.22 pF | | | | | | | | | |
| 0.47 pF | | | | | | | | | |
| 0.82 pF | | | | | | | | | |
| 1.0 pF | | | | | | | | | |
| 1.2 pF | | | | | | | | | |
| 1.5 pF | | | | | | | | | |
| 1.8 pF | | | | | | | | | |
| 2.2 pF | | | | | | | | | |
| 2.7 pF | | | | | | | | | |
| 3.3 pF | | | | | | | | | |
| 3.9 pF | | | | | | | | | |
| 4.7 pF | | | | | | | | | |
| 5.6 pF | | | | | | | | | |
| 6.8 pF | | | | | | | | | |
| 8.2 pF | 0.6±0.1 | 0.6±0.1 | 0.6±0.1 | 0.6±0.1 | 0.6±0.1 | 0.6±0.1 | | | |
| 10 pF | | | | | | | | | |
| 12 pF | | | | | | | | | |
| 15 pF | | | | | | | | | |
| 18 pF | | | | | | | | | |
| 22 pF | | | | | | | | | |
| 27 pF | | | | | | | | | |
| 33 pF | | | | | | | | | |
| 39 pF | | | | | | | | | |
| 47 pF | | | | | | | | | |
| 56 pF | | | | | | | | | |
| 68 pF | | | | | | | 1.25±0.2 | 1.25±0.2 | |
| 82 pF | | | | | | | | | 1.25±0.2 |
| 100 pF | | | | | | | | | |

NOTE

1. Values in shaded cells indicate thickness class in mm

CAPACITANCE RANGE & THICKNESS FOR NPO

Table 5 Sizes from 0805 to 1812 (continued)

| CAP. | 0805 | | | 1206 | | | 1210 | | 1812 |
|--------|----------|----------|----------|----------|----------|----------|----------|----------|----------|
| | 16 V | 25 V | 50 V | 16 V | 25 V | 50 V | 25 V | 50 V | 50 V |
| 120 pF | | | | | | | | | |
| 150 pF | | | | | | | | | |
| 180 pF | | | | | | | | | |
| 220 pF | | | | | | | | | |
| 270 pF | | | | | | | | | |
| 330 pF | 0.6±0.1 | 0.6±0.1 | 0.6±0.1 | | | | | | |
| 390 pF | | | | | | | | | |
| 470 pF | | | | | | | | | |
| 560 pF | | | | 0.6±0.1 | 0.6±0.1 | 0.6±0.1 | | | |
| 680 pF | | | | | | | | | |
| 820 pF | | | | | | | | | |
| 1.0 nF | | | | | | | 1.25±0.2 | 1.25±0.2 | |
| 1.2 nF | | | | | | | | | |
| 1.5 nF | 0.85±0.1 | 0.85±0.1 | 0.85±0.1 | | | | | | |
| 1.8 nF | | | | | | | | | 1.25±0.2 |
| 2.2 nF | | | | | | | | | |
| 2.7 nF | | | | | | | | | |
| 3.3 nF | | | | | | | | | |
| 3.9 nF | 1.25±0.2 | 1.25±0.2 | 1.25±0.2 | | | | | | |
| 4.7 nF | | | | 0.85±0.1 | 0.85±0.1 | 0.85±0.1 | | | |
| 5.6 nF | | | | | | | | | |
| 6.8 nF | | | | | | | | | |
| 8.2 nF | | | | | | | | | |
| 10 nF | 0.85±0.1 | 0.85±0.1 | 0.85±0.1 | | | | | | |
| 12 nF | | | | | | | | | |
| 15 nF | | | | 1.25±0.2 | 1.25±0.2 | 1.25±0.2 | | | |
| 18 nF | | | | | | | | | |
| 22 nF | | | | | | | 2.0±0.2 | | |
| 33 nF | | | | | | | | | |
| 47 nF | | | | | | | | | |
| 56 nF | | | | | | | | | |
| 68 nF | | | | | | | | | |
| 82 nF | | | | | | | | | |
| 100 nF | | | | | | 1.25±0.2 | | | |

NOTE

1. Values in shaded cells indicate thickness class in mm

THICKNESS CLASSES AND PACKING QUANTITY

Table 6

| SIZE CODE | THICKNESS CLASSIFICATION | TAPE WIDTH QUANTITY PER REEL | Ø180 MM / 7 INCH | | Ø330 MM / 13 INCH | | QUANTITY PER BULK CASE |
|-----------|--------------------------|---------------------------------|------------------|----------------|-------------------|---------|------------------------|
| | | | Paper | Blister | Paper | Blister | |
| 0201 | 0.3 ±0.03 mm | 8 mm | 15,000 | --- | 50,000 | --- | --- |
| 0402 | 0.5 ±0.05 mm | 8 mm | 10,000 | --- | 50,000 | --- | 50,000 |
| 0603 | 0.8 ±0.1 mm | 8 mm | 4,000 | --- | 15,000 | --- | 15,000 |
| 0805 | 0.6 ±0.1 mm | 8 mm | 4,000 | --- | 20,000 | --- | 10,000 |
| | 0.85 ±0.1 mm | 8 mm | 4,000 | --- | 15,000 | --- | 8,000 |
| | 1.25 ±0.2 mm | 8 mm | --- | 3,000 | --- | 10,000 | 5,000 |
| 1206 | 0.6 ±0.1 mm | 8 mm | 4,000 | --- | 20,000 | --- | --- |
| | 0.85 ±0.1 mm | 8 mm | 4,000 | --- | 15,000 | --- | --- |
| | 1.00 / 1.15 ±0.1 mm | 8 mm | --- | 3,000 | --- | 10,000 | --- |
| | 1.25 ±0.2 mm | 8 mm | --- | 3,000 | --- | 10,000 | --- |
| | 1.6 ±0.15 mm | 8 mm | --- | 2,500 | --- | 10,000 | --- |
| | 1.6 ±0.2 mm | 8 mm | --- | 2,000 | --- | 10,000 | --- |
| 1210 | 0.6 / 0.7 ±0.1 mm | 8 mm | --- | 4,000 | --- | 15,000 | --- |
| | 0.85 ±0.1 mm | 8 mm | --- | 4,000 | --- | 10,000 | --- |
| | 1.0 ±0.1 mm | 8 mm | --- | 3,000 | --- | 10,000 | --- |
| | 1.15 ±0.1 mm | 8 mm | --- | 3,000 | --- | 10,000 | --- |
| | 1.15 ±0.15 mm | 8 mm | --- | 3,000 | --- | 10,000 | --- |
| | 1.25 ±0.2 mm | 8 mm | --- | 3,000 | --- | --- | --- |
| | 1.5 ±0.1 mm | 8 mm | --- | 2,000 | --- | --- | --- |
| | 1.6 / 1.9 ±0.2 mm | 8 mm | --- | 2,000 | --- | --- | --- |
| | 2.0 ±0.2 mm | 8 mm | --- | 2,000 1,000 | --- | --- | --- |
| 1808 | 1.15 ±0.15 mm | 12 mm | --- | 3,000 | --- | --- | --- |
| | 1.25 ±0.2 mm | 12 mm | --- | 3,000 | --- | --- | --- |
| | 1.35 ±0.15 mm | 12 mm | --- | 2,000 | --- | --- | --- |
| | 1.5 ±0.1 mm | 12 mm | --- | 2,000 | --- | --- | --- |
| | 1.6 ±0.2 mm | 12 mm | --- | 2,000 | --- | --- | --- |
| | 2.0 ±0.2 mm | 12 mm | --- | 2,000 | --- | --- | --- |
| 1812 | 0.6 / 0.85 ±0.1 mm | 12 mm | --- | 2,000 | --- | --- | --- |
| | 1.15 ±0.1 mm | 12 mm | --- | 1,000 | --- | --- | --- |
| | 1.15 ±0.15 mm | 12 mm | --- | 1,000 | --- | --- | --- |
| | 1.35 ±0.15 mm | 12 mm | --- | 1,000 | --- | --- | --- |
| | 1.5 ±0.1 mm | 12 mm | --- | 1,000 | --- | --- | --- |
| | 1.6 ±0.2 mm | 12 mm | --- | 1,000 | --- | --- | --- |
| | 2.0 ±0.2 mm | 12 mm | --- | 1,000 | --- | --- | --- |
| | 2.5 ±0.2 mm | 12 mm | --- | 500 | --- | --- | --- |

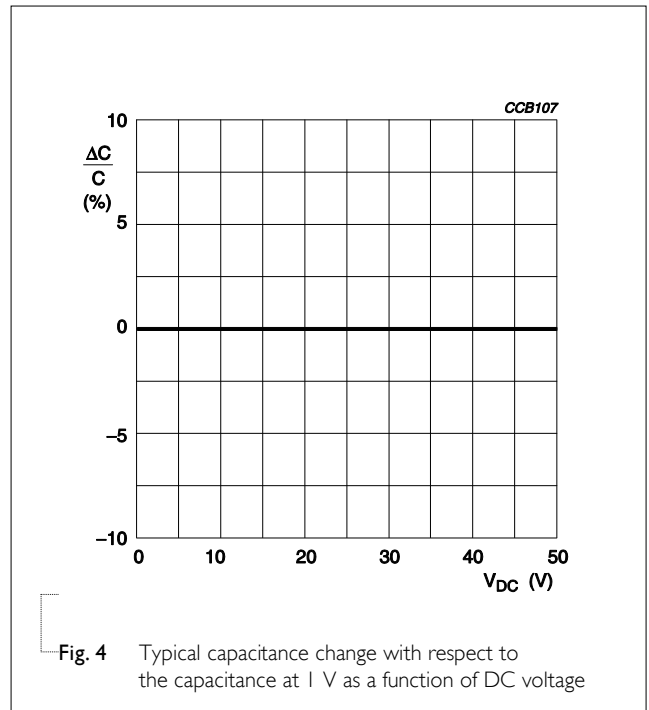
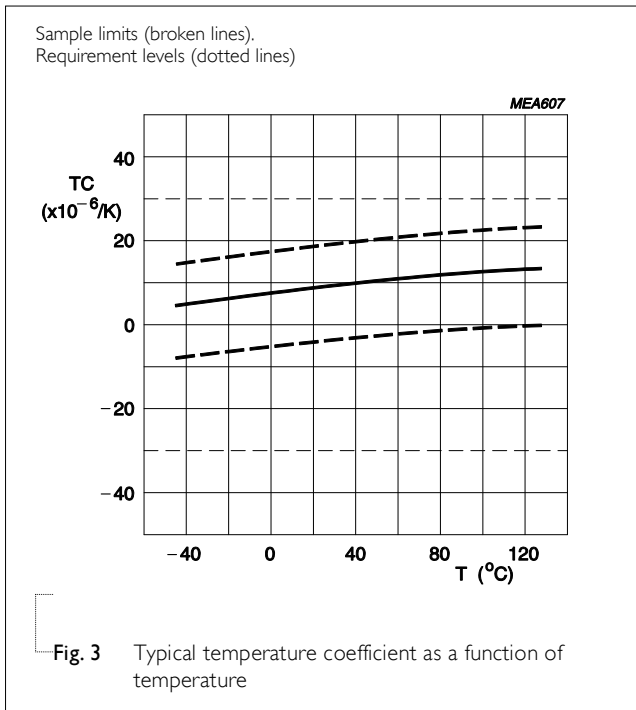
ELECTRICAL CHARACTERISTICS

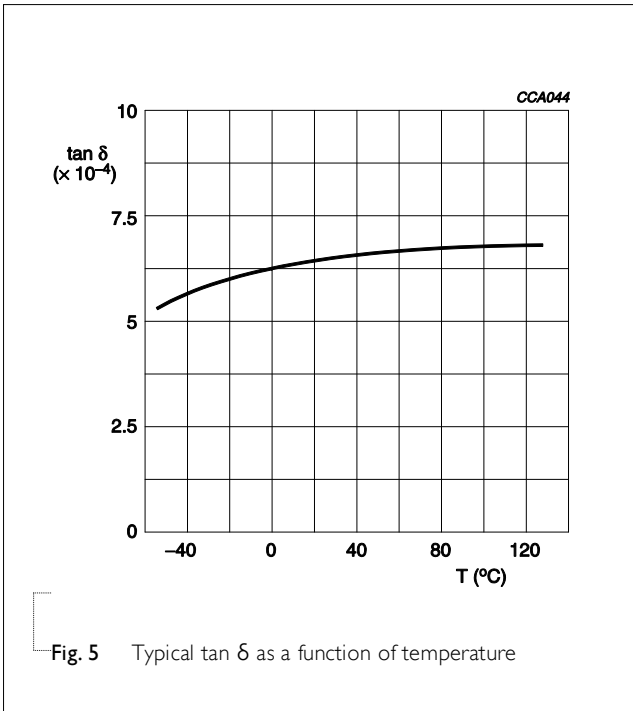
NP0 DIELECTRIC CAPACITORS; NISN TERMINATIONS

Unless otherwise stated all electrical values apply at an ambient temperature of 20 ± 1 °C, an atmospheric pressure of 86 to 106 kPa, and a relative humidity of 63 to 67%.

Table 7

| DESCRIPTION | VALUE |
|---|---|
| Capacitance range | 0.22 pF to 100 nF |
| Capacitance tolerance | |
| C < 10 pF | ± 0.1 pF, ± 0.25 pF, ± 0.5 pF |
| C \geq 10 pF | $\pm 1\%$, $\pm 2\%$, $\pm 5\%$, $\pm 10\%$ |
| Dissipation factor (D.F.) | |
| C < 30 pF | $\leq 1 / (400 + 20C)$ |
| C \geq 30 pF | $\leq 0.1\%$ |
| Insulation resistance after 1 minute at U_r (DC) | $R_{ins} \geq 10$ G Ω or $R_{ins} \times C_r \geq 500$ seconds whichever is less |
| Maximum capacitance change as a function of temperature (temperature characteristic/coefficient): | ± 30 ppm/°C |
| Operating temperature range: | -55 °C to +125 °C |





SOLDERING RECOMMENDATION

Table 8

| SOLDERING METHOD | SIZE | | | | | |
|------------------|-------------|----------|----------|----------|----------|-------------|
| | 0201 | 0402 | 0603 | 0805 | 1206 | ≥ 1210 |
| Reflow | Reflow only | ≥ 0.1 μF | ≥ 1.0 μF | ≥ 2.2 μF | ≥ 4.7 μF | Reflow only |
| Reflow/Wave | --- | < 0.1 μF | < 1.0 μF | < 2.2 μF | < 4.7 μF | --- |

TESTS AND REQUIREMENTS

Table 9 Test procedures and requirements

| TEST | TEST METHOD | PROCEDURE | REQUIREMENTS |
|---------------------------------------|-----------------|--|--|
| Mounting | IEC 60384-21/22 | 4.3 The capacitors may be mounted on printed-circuit boards or ceramic substrates | No visible damage |
| Visual inspection and dimension check | 4.4 | Any applicable method using × 10 magnification | In accordance with specification |
| Capacitance | 4.5.1 | Class I: f = 1 MHz for C ≤ 1 nF, measuring at voltage V _{rms} at 20 °C f = 1 KHz for C > 1 nF, measuring at voltage V _{rms} at 20 °C | Within specified tolerance |
| Dissipation factor (D.F.) | 4.5.2 | Class I: f = 1 MHz for C ≤ 1 nF, measuring at voltage V _{rms} at 20 °C f = 1 KHz for C > 1 nF, measuring at voltage V _{rms} at 20 °C | In accordance with specification |
| Insulation resistance | 4.5.3 | At U _r (DC) for 1 minute | In accordance with specification |
| Temperature coefficient | 4.6 | Capacitance shall be measured by the steps shown in the following table. The capacitance change should be measured after 5 min at each specified temperature stage. | <General purpose series> Class I: Δ C/C: ±30ppm Class 2: X7R: Δ C/C: ±15% Y5V: Δ C/C: 22~-82% <High Capacitance series> Class 2: X7R/X5R: Δ C/C: ±15% Y5V: Δ C/C: 22~-82% |

| Step | Temperature(°C) |
|------|-----------------------|
| a | 25±2 |
| b | Lower temperature±3°C |
| c | 25±2 |
| d | Upper Temperature±2°C |
| e | 25±2 |

(1) Class I
Temperature Coefficient shall be calculated from the formula as below

$$\text{Temp. Coefficient} = \frac{C_2 - C_1}{C_1 \times \Delta T} \times 10^6 \text{ [ppm/°C]}$$

C1: Capacitance at step c
C2: Capacitance at 125°C
ΔT: 100°C(=125°C-25°C)

(2) Class II
Capacitance Change shall be calculated from the formula as below

$$\Delta C = \frac{C_2 - C_1}{C_1} \times 100\%$$

C1: Capacitance at step c
C2: Capacitance at step b or d

| TEST | TEST METHOD | PROCEDURE | REQUIREMENTS |
|--------------------------------------|---------------------|---|--|
| Adhesion | 4.7 | A force applied for 10 seconds to the line joining the terminations and in a plane parallel to the substrate | Force size ≥ 0603: 5N size = 0402: 2.5N size = 0201: 1N |
| Bond strength of plating on end face | 4.8 | Mounting in accordance with IEC 60384-22 paragraph 4.3 Conditions: bending 1 mm at a rate of 1 mm/s, radius jig 340 mm | No visible damage <General purpose series> ΔC/C Class I: NP0: within ±1% or 0.5 pF whichever is greater |
| Resistance to soldering heat | IEC 60384-21/22 4.9 | Precondition: 150 +0/-10 °C for 1 hour, then keep for 24 ±1 hours at room temperature Preheating: for size ≤ 1206: 120 °C to 150 °C for 1 minute Preheating: for size >1206: 100 °C to 120 °C for 1 minute and 170 °C to 200 °C for 1 minute Solder bath temperature: 260 ±5 °C Dipping time: 10 ±0.5 seconds Recovery time: 24 ±2 hours | Dissolution of the end face plating shall not exceed 25% of the length of the edge concerned <General purpose series> ΔC/C Class I: NP0: within ±0.5% or 0.5 pF whichever is greater D.F. within initial specified value R _{ins} within initial specified value |
| Solderability | 4.10 | Preheated the temperature of 80 °C to 140 °C and maintained for 30 seconds to 60 seconds. 1. Temperature: 235±5°C / Dipping time: 2 ±0.5 s 2. Temperature: 245±5°C / Dipping time: 3 ±0.5 s (lead free)Depth of immersion: 10mm | The solder should cover over 95% of the critical area of each termination |
| Rapid change of temperature | 4.11 | Preconditioning 150 +0/-10 °C for 1 hour, then keep for 24 ±1 hours at room temperature 5 cycles with following detail: 30 minutes at lower category temperature 30 minutes at upper category temperature Recovery time 24 ±2 hours | No visual damage <General purpose series> ΔC/C Class I: NP0: within ±1% or 1 pF whichever is greater D.F. meet initial specified value R _{ins} meet initial specified value |

| TEST | TEST METHOD | PROCEDURE | REQUIREMENTS |
|---------------------------|-----------------|---|--|
| Damp heat with U_r load | IEC 60384-21/22 | <p>4.13</p> <ol style="list-style-type: none"> Preconditioning, class 2 only: 150 +0/-10 °C /1 hour, then keep for 24 ±1 hour at room temp Initial measure: Spec: refer to initial spec C, D, IR Damp heat test: 500 ±12 hours at 40 ±2 °C; 90 to 95% R.H. 1.0 U_r applied Recovery: Class I: 6 to 24 hours Final measure: C, D, IR <p>P.S. If the capacitance value is less than the minimum value permitted, then after the other measurements have been made the capacitor shall be preconditioned according to "IEC 60384 4.1" and then the requirement shall be met.</p> | <p>No visual damage after recovery</p> <hr/> <p><General purpose series> $\Delta C/C$ Class I: NPO: within ±2% or 1 pF whichever is greater D.F. Class I: NPO: ≤ 2 × specified value R_{ins} Class I: NPO: ≥ 2,500 MΩ or $R_{ins} \times C_r \geq 25s$ whichever is less</p> |
| Endurance | | <p>4.14</p> <ol style="list-style-type: none"> Preconditioning, class 2 only: 150 +0/-10 °C /1 hour, then keep for 24 ±1 hour at room temp Initial measure: Spec: refer to initial spec C, D, IR Endurance test: Temperature: NPO: 125 °C Specified stress voltage applied for 1,000 hours: Applied 2.0 × U_r for general product. Recovery time: 24 ±2 hours Final measure: C, D, IR <p>P.S. If the capacitance value is less than the minimum value permitted, then after the other measurements have been made the capacitor shall be preconditioned according to "IEC 60384 4.1" and then the requirement shall be met.</p> | <p>No visual damage</p> <hr/> <p><General purpose series> $\Delta C/C$ Class I: NPO: within ±2% or 1 pF whichever is greater D.F. Class I: NPO: ≤ 2 × specified value R_{ins} Class I: NPO: ≥ 4,000 MΩ or $R_{ins} \times C_r \geq 40s$ whichever is less</p> |
| Voltage proof | IEC 60384-1 | <p>4.6</p> <p>Specified stress voltage applied for 1 minute</p> <p>$U_r \leq 100 V$: series applied 2.5 U_r $100 V < U_r \leq 200 V$ series applied (1.5 $U_r + 100$) $200 V < U_r \leq 500 V$ series applied (1.3 $U_r + 100$) $U_r > 500 V$: 1.3 U_r I: 7.5 mA</p> | <p>No breakdown or flashover</p> |

REVISION HISTORY

| REVISION | DATE | CHANGE NOTIFICATION | DESCRIPTION |
|------------|---------------|---------------------|---|
| Version 10 | Feb. 18, 2014 | | - Product range updated |
| Version 9 | Jun. 17, 2013 | | - Product range updated |
| Version 8 | Aug 05, 2011 | | - Dimension updated |
| Version 7 | Jun 14, 2011 | - | - Size I210 T=1.0mm SPQ added - Dimension updated |
| Version 6 | Jan 06, 2011 | - | - Dimension updated |
| Version 5 | Dec 29, 2010 | - | - Dimension updated |
| Version 4 | Nov 23, 2010 | - | - Dimension updated |
| Version 3 | Apr 20, 2010 | - | - The statement of "Halogen Free" on the cover added - Dimension updated |
| Version 2 | Oct 26, 2009 | - | - Typo updated |
| Version 1 | Jun 02, 2009 | - | - I2NC code updated |
| Version 0 | Apr 15, 2009 | - | - New datasheet for general purpose NPO series with RoHS compliant - Replace the "16V to 50V" part of pdf files: NPO_16V_7, NPO_16V-to-100V_6, NPO_25V_7, NPO_50-to-500V_11 - Combine 0201 from pdf files: UP-NPOX5RX7RY5V_0201_6.3-to-50V_2 and UY-NPOX5RX7RY5V_0201_6.3-to-50V_2 - Define global part number - Description of "Halogen Free compliant" added - Test method and procedure updated |