



# Carbon Slider Potentiometers

58 mm travel

Types  
**CIPGST 2.58M**  
**PGST 2.58M**  
**CIPGST 2.58S**  
**PGST 2.58S**

## Mechanical data

Travel: 58 mm  
 Operating force:  $0.7 \div 2$  N  
 Permissible force at end stop: 50 N max  
 Permissible lateral force on spindle, perpendicular to the direction of movement: 20 N max  
 Permissible axial force on spindle, push and pull: 50 N (5 sec max)  
 Permissible torque on spindle: 30 Ncm max  
 Tap: Z2 at 50% of travel  
 Weight: ~12 g

## Optional features

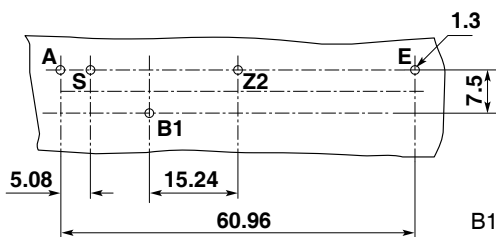
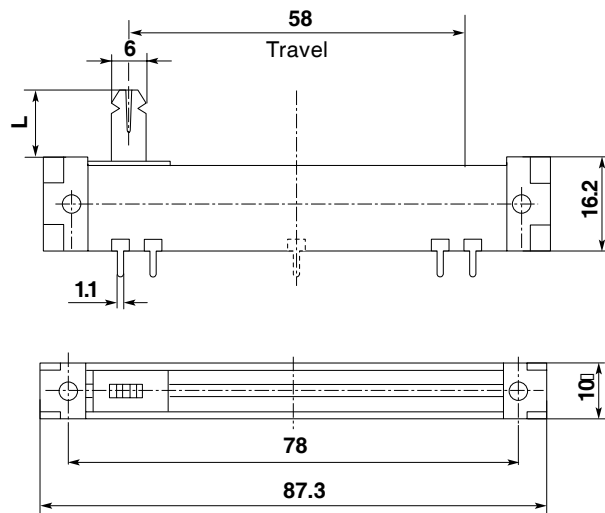
- Central click
- Additional fixing tag, for CIPGST2.58M type only

## Electrical data

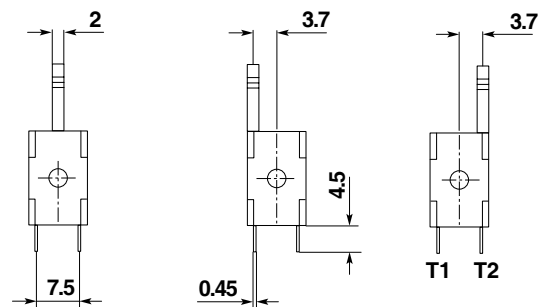
Rated dissipation @ 40°C: 0,4 W linear law  
 0,2 W non-linear law  
 Limiting element voltage: 500 VDC  
 Insulation voltage: 500 VAC  
 Rated resistance: E3 Series; optional E6 Series  
 • linear law: 220R to 4M7  
 • non-linear law: 470R to 2M2  
 Tolerance on rated resistance:  
 • 220R to 1M0:  $\pm 20\%$   
 • over 1M0:  $\pm 30\%$   
 Resistance law: A, B, C, F, S, T, X  
 • with tap: A2, B2, C2, S2

## Stereo types

Matching: class II  
 • optional: class I

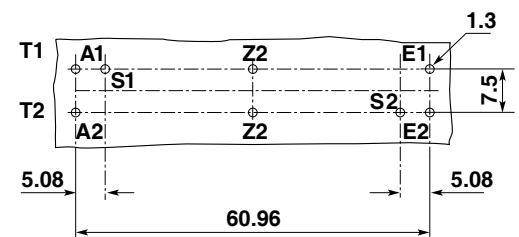


**CIPGST 2.58M**



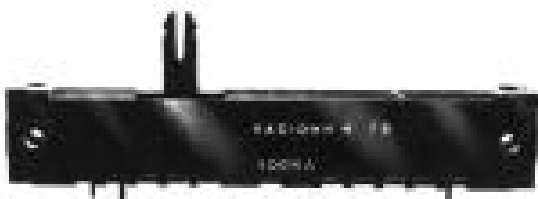
Central spindle      Left spindle      Right spindle

View from the beginning of travel side



**CIPGST 2.58S**

Looking the potentiometer with terminations down, from the side with the marking, terminal A1 is situated on the left of opposite side.





# Carbon Slider Potentiometers

58 mm travel

Types  
**CIPGST 2.58M**  
**PGST 2.58M**  
**CIPGST 2.58S**  
**PGST 2.58S**

## Single types

<b>CIPGST 2.58M</b>	P.c. terminations
<b>PGST 2.58M</b>	Solder tag terminations

## Stereo types

<b>CIPGST 2.58S</b>	P.c. terminations
<b>PGST 2.58S</b>	Solder tag terminations

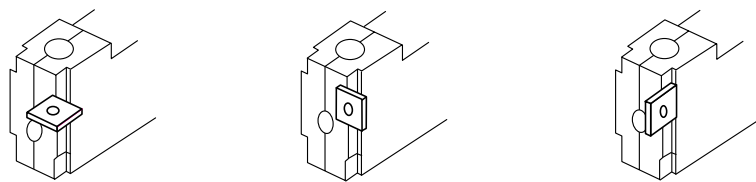
## Standard types

P.c. terminations: **CIPGST 2.58 0100M**  
 Solder tag terminations: **PGST 2.58 0100M**

## Standard types

P.c. terminations: **CIPGST 2.58 0100S**  
 Solder tag terminations: **PGST 2.58 0100S**

## Fixing nut variations



M3 screws mounting from: top or bottom (Pos. 1), small vertical sides (Pos. 2), front or back (Pos. 3)

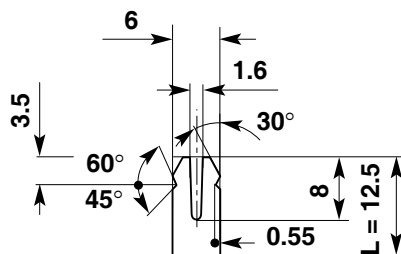
Pos. 1

Pos. 2

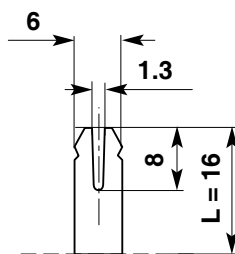
Pos. 3

## Spindle variations

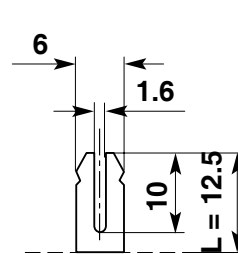
Plastic  
 Thickness 2 mm



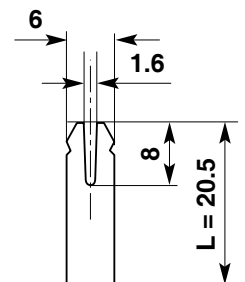
Spindle type 7  
Standard



Spindle type 8  
Optional



Spindle type 9  
Optional



Spindle type 10  
Optional

## Ordering numbers

(CI) PGST 2.58 X X 0 X M  
 (CI) PGST 2.58 X X 0 0 S

- 0 - Central spindle type 7
- 1 - Left spindle type 7
- 2 - Right spindle type 7
- 3 - Central spindle type 8
- 4 - Left spindle type 8
- 5 - Right spindle type 8
- 6 - Central spindle type 9
- 7 - Left spindle type 10
- 8 - Right spindle type 10

- Single types only
- 0 - Without additional fixing tag
- 2 - With additional fixing tag

- 0 - Without nuts
- 1 - Nuts pos. 1
- 2 - Nuts pos. 2
- 3 - Nuts pos. 3