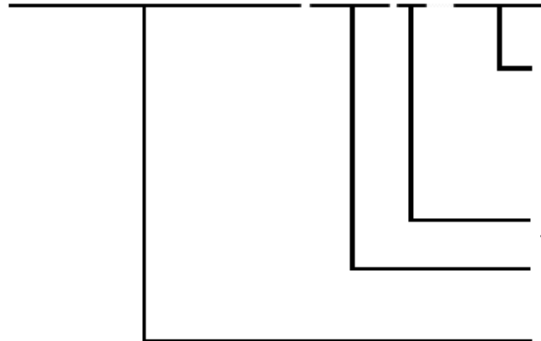


PCB Connector NS-25 Series

CSAT-10xx1/xx



Body form (csatlakozó forma):

A = straight socket (egyenes aljzat)

AK = right angle socket (hajlított aljzat)

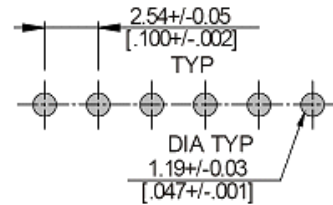
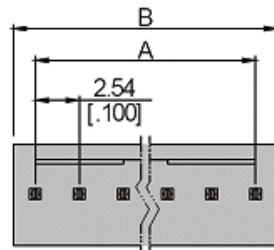
D = plug (dugó ház)

No of row (sorok száma)

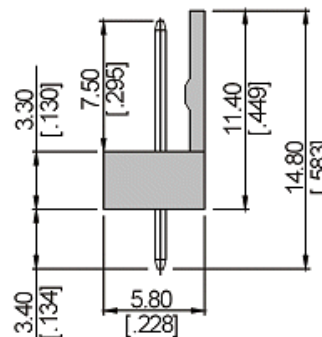
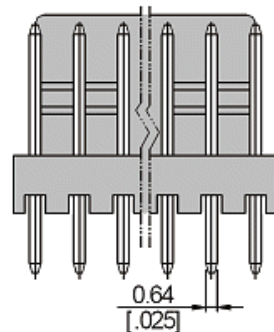
No. of contact (érintkezők száma):

n = 2 .. 20

PCB Connector NS25 series



RECOMMENDED PCB LAYOUT



Dimensional information - mm/inch

Circuits	Dim. A		Dim. B		Circuits	Dim. A		Dim. B		Circuits	Dim. A		Dim. B	
	inch	mm	inch	mm		inch	mm	inch	mm		inch	mm	inch	mm
2	0.100	2.54	0.200	5.08	9	0.900	20.32	0.900	22.86	16	1.500	38.10	1.600	40.64
3	0.200	5.08	0.300	7.62	10	0.900	22.86	1.000	25.40	17	1.600	40.64	1.700	43.18
4	0.300	7.62	0.400	10.16	11	1.000	25.40	1.100	27.94	18	1.700	43.18	1.800	45.72
5	0.400	10.16	0.500	12.70	12	1.100	27.94	1.200	30.48	19	1.800	45.72	1.900	48.26
6	0.500	12.70	0.600	15.24	13	1.200	30.48	1.300	33.02	20	1.900	48.26	2.000	50.80
7	0.600	15.24	0.700	17.78	14	1.300	33.02	1.400	35.56					
8	0.700	17.78	0.800	20.32	15	1.400	35.56	1.500	38.10					