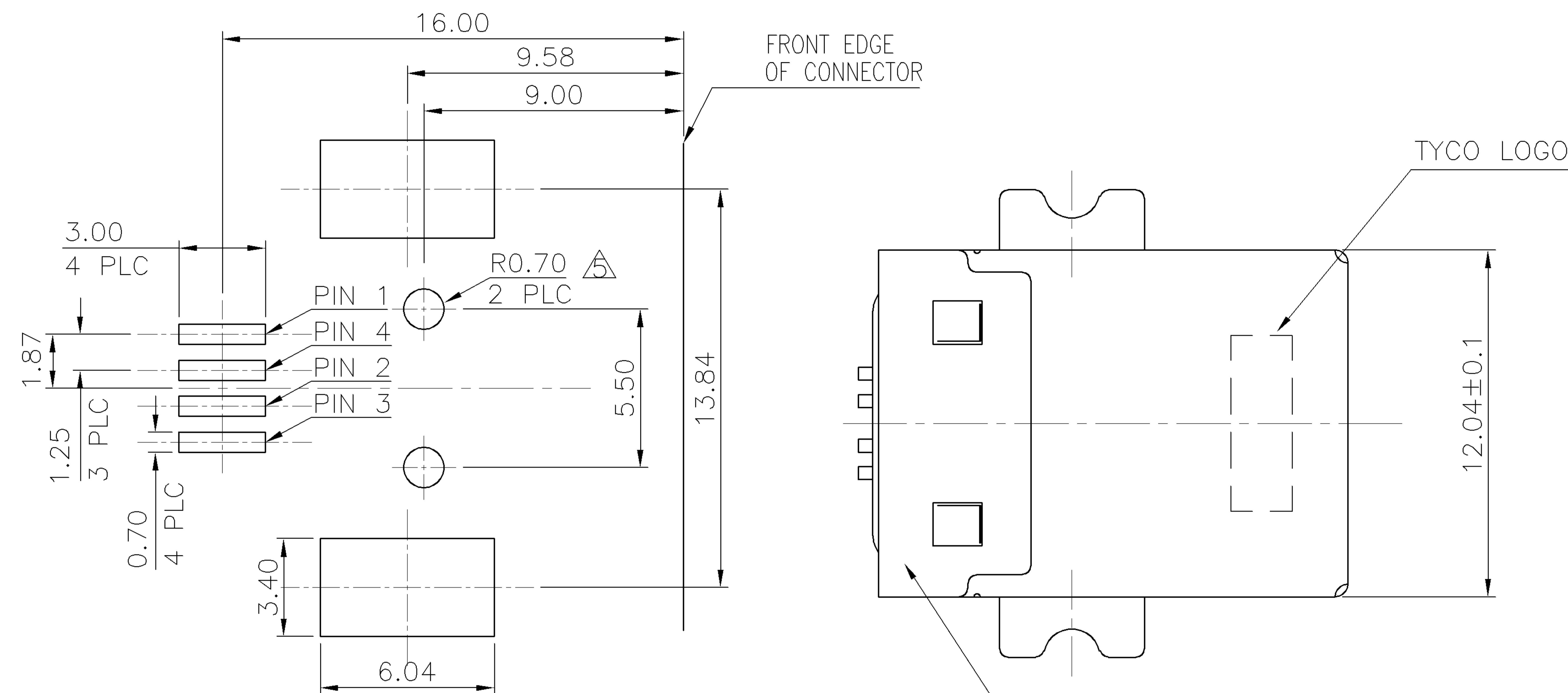


NUMBER
C-1734346

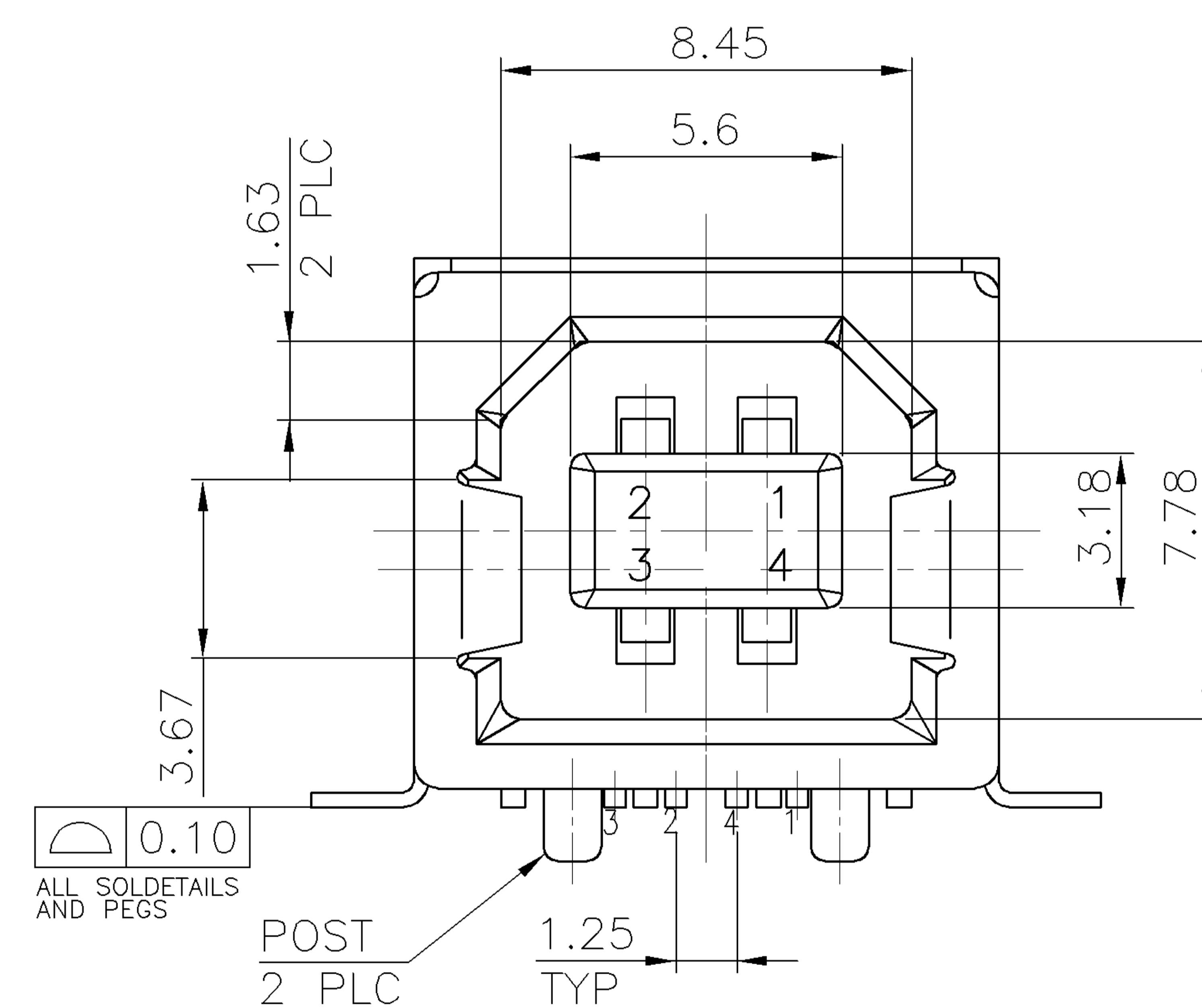
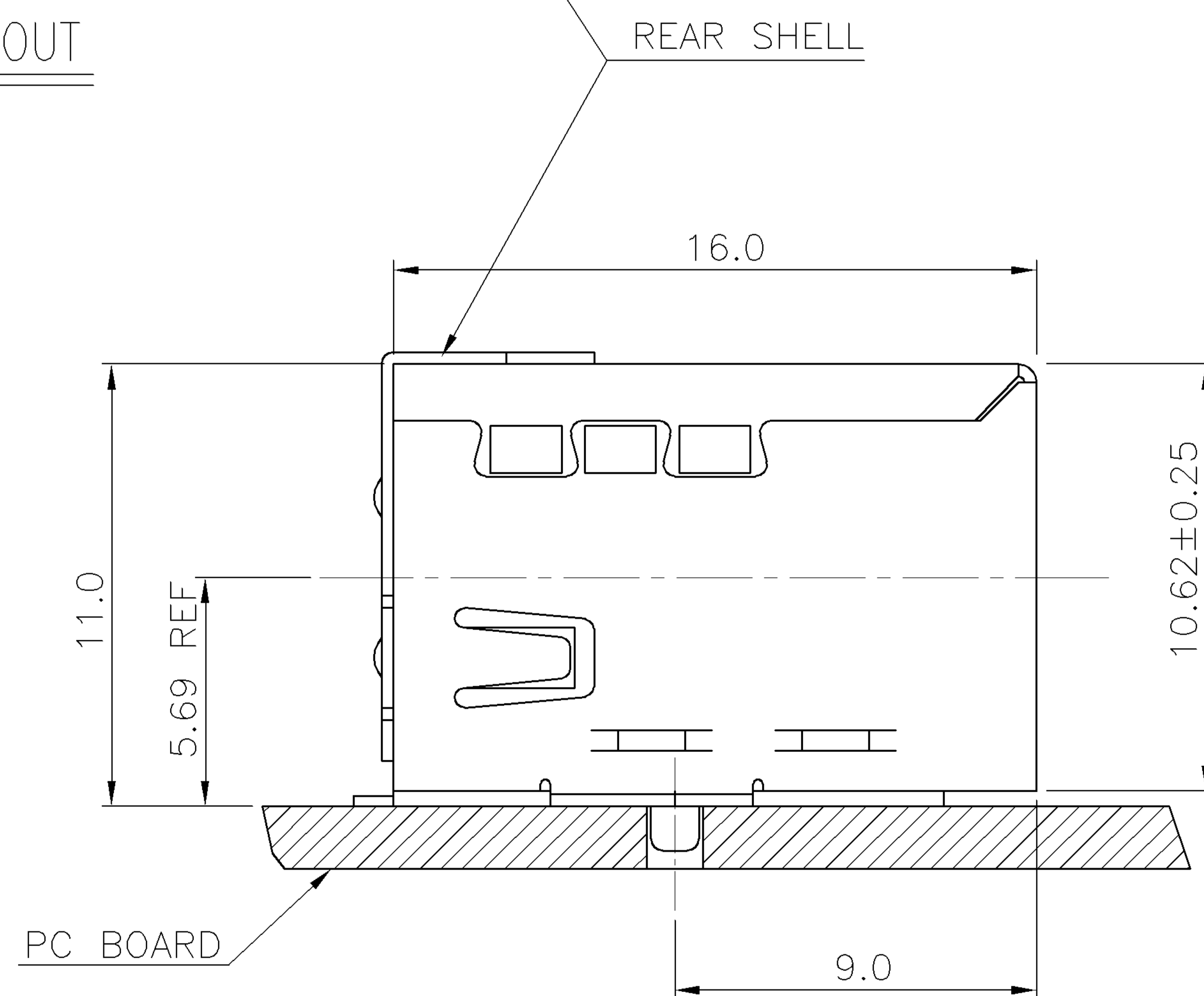
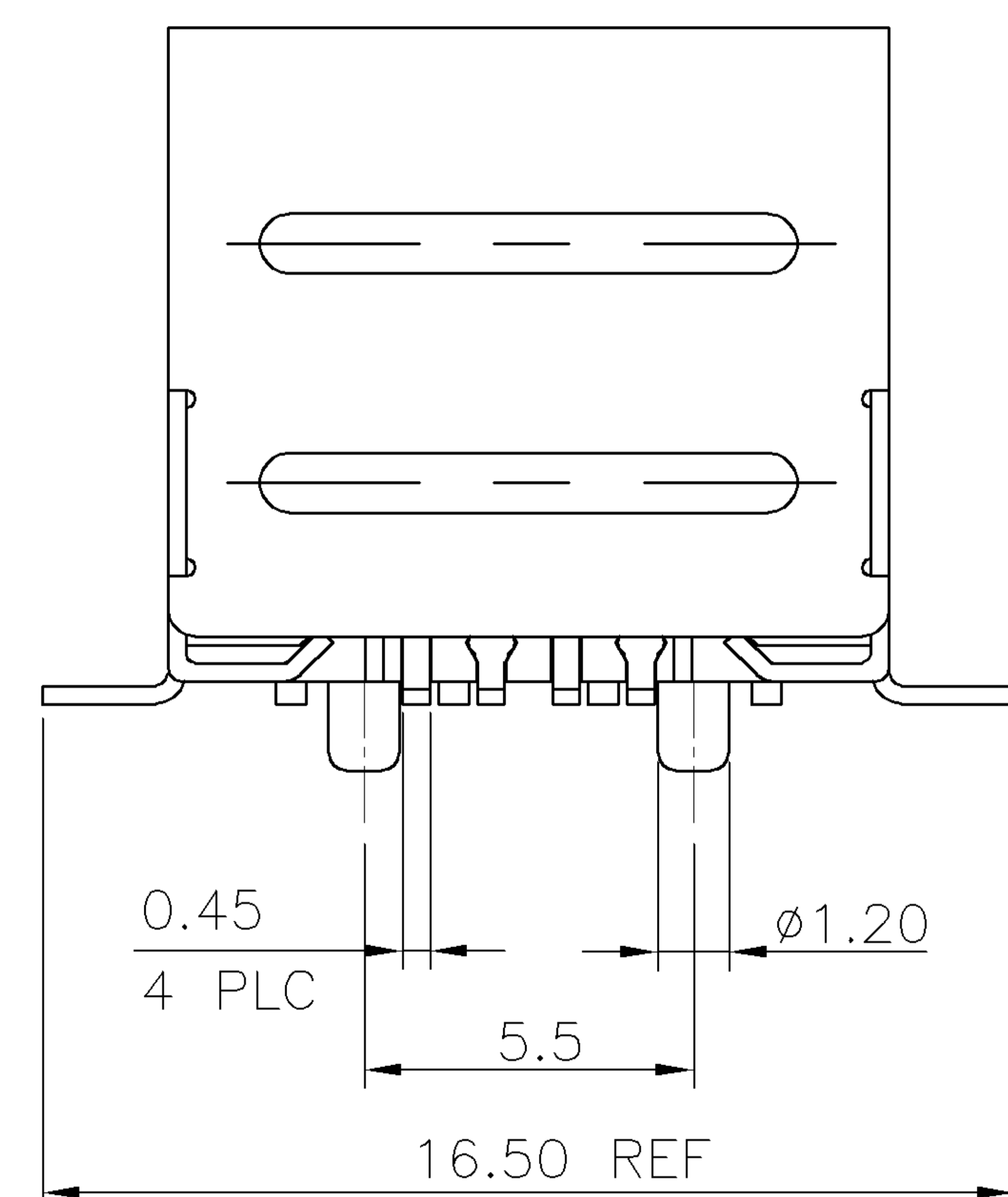
METRIC
3RD ANGLE PROJECTION

THIS INFORMATION IS CONFIDENTIAL AND IS DISCLOSED TO YOU ON CONDITION THAT NO FURTHER DISCLOSURE IS MADE BY YOU TO OTHER THAN AMP PERSONNEL WITHOUT WRITTEN AUTHORIZATION FROM AMP (TAIWAN) LTD. DIMENSION IN MILLIMETERS. DO NOT SCALE PRINT.

PRINT
DW



RECOMMENDED PCB LAYOUT



NOTE:

- MATERIAL:
HOUSING: NYLON 6T, WITH 30%GF, UL 94V-0, COLOR: BLACK.
CONTACT: PHOSPHOR BRONZE, THICKNESS=0.25mm.
SHELL: PHOSPHOR BRONZE, THICKNESS=0.30mm.
REAR SHELL: STAINLESS, THICKNESS=0.30mm.
 - FINISH:
CONTACT: Δ 30u" MIN. GOLD PLATED IN CONTACT AREA,
 ∇ GOLD FLASH IN CONTACT AREA,
100u" MIN. TIN-Cu PLATED ON SOLDER TAILS,
50u" MIN. NICKEL UNDERPLATED ALL OVER.
SHELL: 30u"~ 90u" NICKEL PLATED OVER ALL.
 - PANEL THICKNESS OF 2.67 mm MAXIMUM IF RECEPTACLE CONNECTOR IS MOUNTED BEHIND A PANEL.
 - REFLOW SOLDER CAPABLE TO 260°C PER TE SPEC 109-201, CONDITION B.
- Δ PLEASE REMOVE POST HOLE ON PCB.
 ∇ NO EMBOSSED ON TOP SURFACE OF SHELL.
 ∇ OBSOLETE PARTS: OBSOLETE CIS STREAMLINING PER D.RENAUD/D.SINISI

REAR SHELL	PACKAGE	POST	FINISH	HSG'S COLOR	PART NUMBER
w/o	REEL	w/o	Δ	WHITE	2-1734346-8
			∇	BLACK	2-1734346-7
w/o	REEL	w/	Δ	WHITE	2-1734346-6
			∇	BLACK	2-1734346-5
w/o	REEL	w/o	Δ	WHITE	2-1734346-4
			∇	BLACK	2-1734346-3
w/o	REEL	w/	Δ	WHITE	2-1734346-2
			∇	BLACK	2-1734346-1
w/	REEL	w/o	Δ	WHITE	1-1734346-8
			∇	BLACK	1-1734346-7
w/	REEL	w/	Δ	WHITE	1-1734346-6
			∇	BLACK	1-1734346-5
w/	TRAY	w/o	Δ	WHITE	1-1734346-4
			∇	BLACK	1-1734346-3
w/	TRAY	w/	Δ	WHITE	1-1734346-2
			∇	BLACK	1-1734346-1
w/	TRAY	w/o	Δ	WHITE	1734346-8
			∇	BLACK	1734346-7
w/	TRAY	w/	Δ	WHITE	1734346-6
			∇	BLACK	1734346-5
w/	TRAY	w/	Δ	WHITE	1734346-4
			∇	BLACK	1734346-3
w/	TRAY	w/	Δ	WHITE	1734346-2
			∇	BLACK	1734346-1

TOLERANCES UNLESS OTHERWISE SPECIFIED: 0 PLC ±0.50 1 PLC ±0.25 2 PLC ±0.15 3 PLC ±0.05 ANGLES ±3'	DWN O. HU 10-AUG-2007
MATERIAL SEE NOTE	CHK S. HOU 10-AUG-2007
FINISH SEE NOTE	APVD W.J. KE 10-AUG-2007
	PRODUCT SPEC 108-57538
	QUALIFICATION TEST REPORT 501-57618
	WEIGHT --

Tyco Electronics Tyco Electronics Corporation Taipei, Taiwan

NAME
USB CONNECTOR, SERIES B, 4 POSITIONS, R/A, SMT TYPE, WITH REAR SHELL

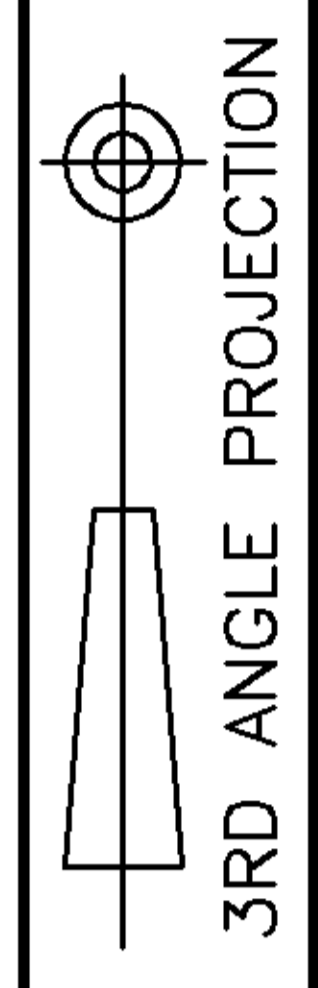
B2	REVISED PER ECO-10-000445		KK AEG	JAN10
B1	ADD PULL OUT DIRECTION ON REEL	ECR-07-018988	OH SH	10AUG 2007
B	CHANGE PLATING SPEC	ECR-05-014060	OH SH	28OCT 2005
LTR	REVISION RECORD	ECN	DWN CHK	DATE

LOC DW	SIZE A ₃	DRAWING NO C-1734346	REV B2
SCALE --	SHEET 1 OF 3		

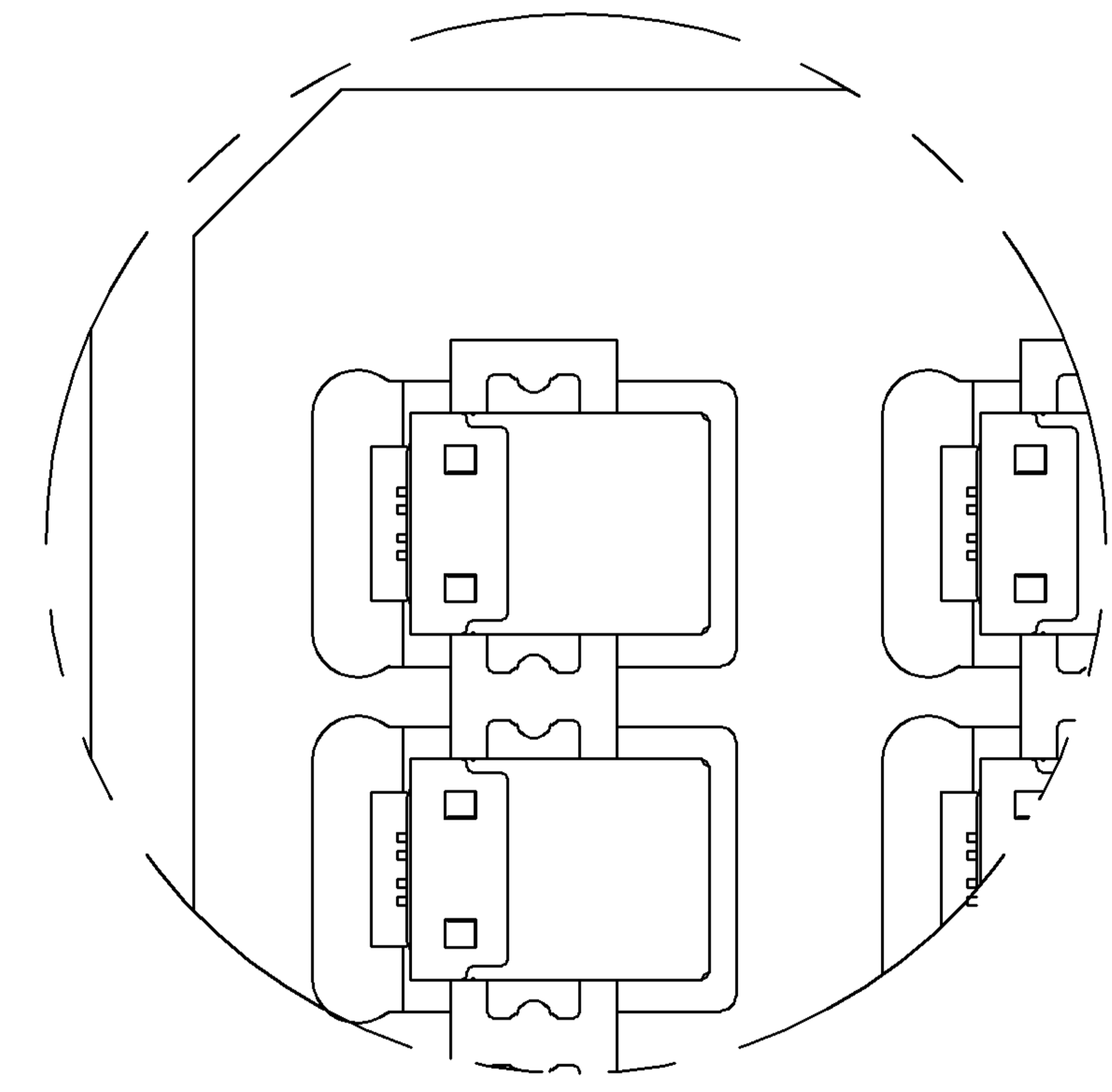
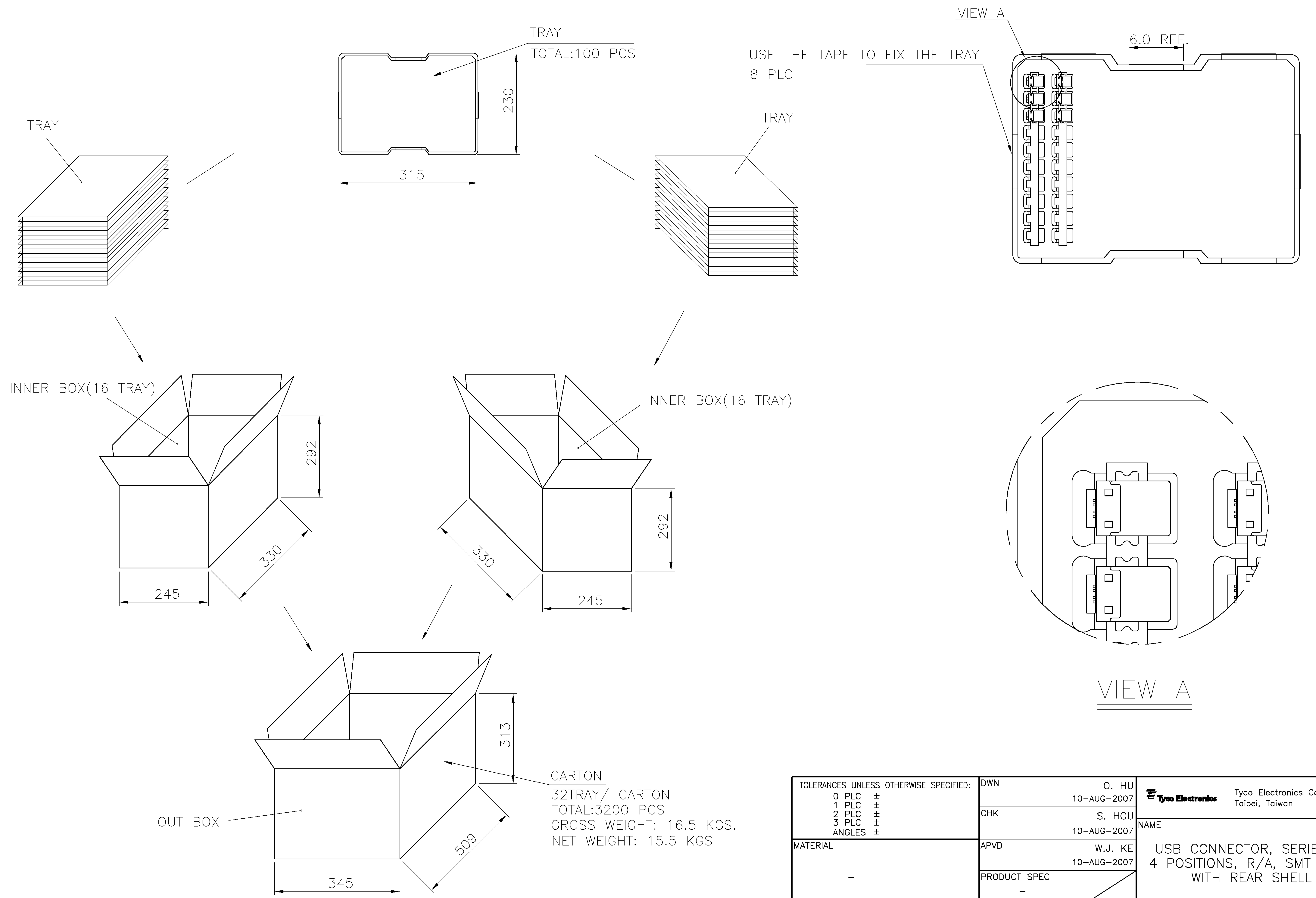
THIS INFORMATION IS CONFIDENTIAL AND IS DISCLOSED TO YOU ON CONDITION THAT NO FURTHER DISCLOSURE IS MADE BY YOU TO OTHER THAN AMP PERSONNEL WITHOUT WRITTEN AUTHORIZATION FROM AMP (TAIWAN) LTD. DIMENSION IN MILLIMETERS. DO NOT SCALE PRINT.

PRINT DIST
DW

METRIC



NUMBER
C-1734346

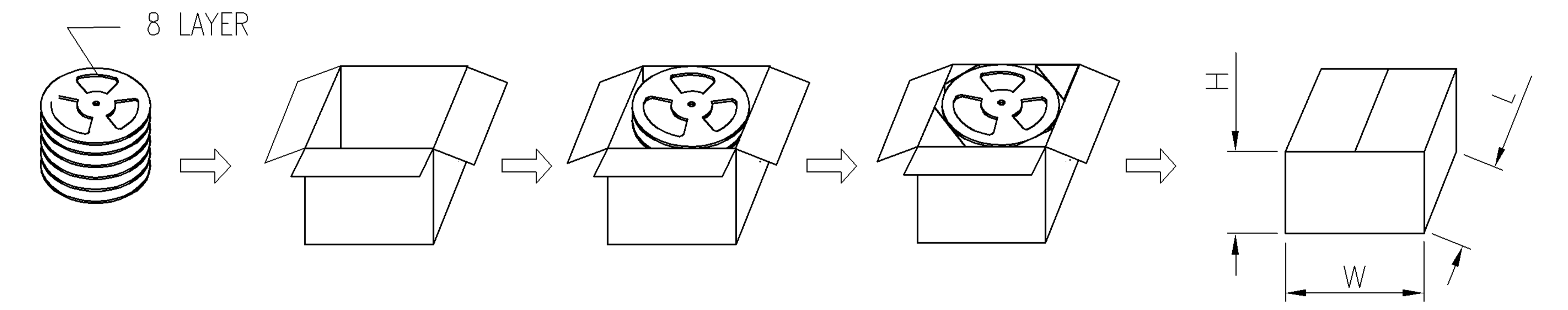
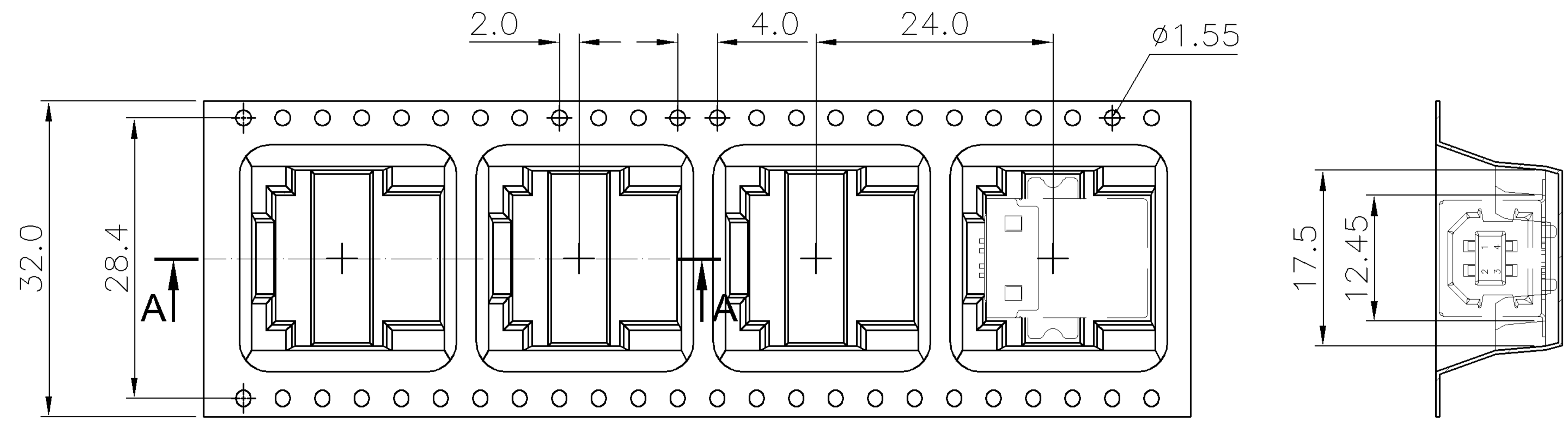
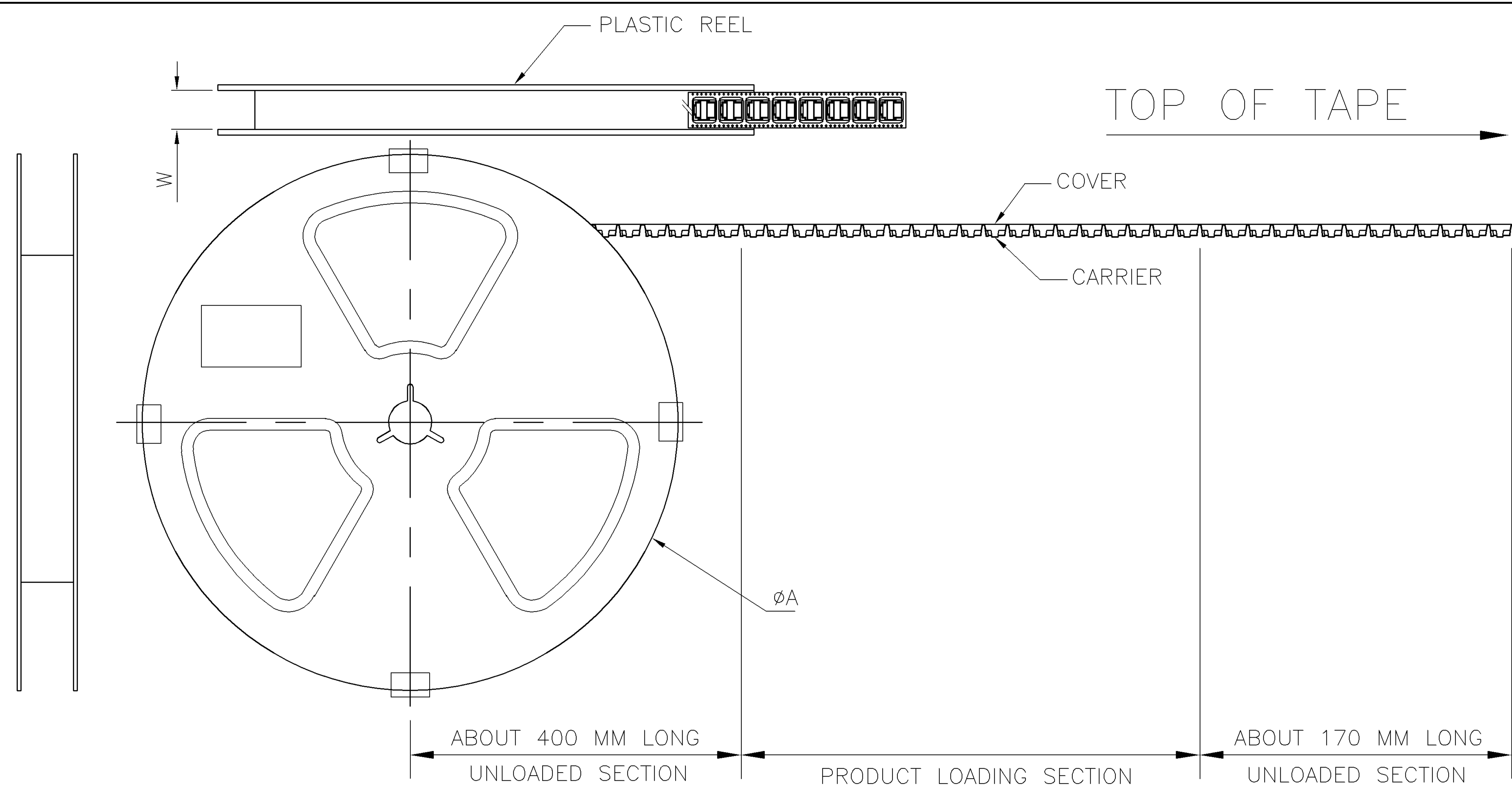


TOLERANCES UNLESS OTHERWISE SPECIFIED: 0 PLC ± 1 PLC ± 2 PLC ± 3 PLC ± ANGLES ±	DWN	O. HUI	Tyco Electronics Corporation Taipei, Taiwan	
		10-AUG-2007		
MATERIAL -	CHK	S. HOU	NAME	
		10-AUG-2007	USB CONNECTOR, SERIES B, 4 POSITIONS, R/A, SMT TYPE, WITH REAR SHELL	
FINISH -	APVD	W.J. KE	LOC	SIZE
	PRODUCT SPEC	10-AUG-2007	DW	A ₃
	APPLICATION SPEC		DRAWING NO	REV
	WEIGHT		C-1734346	B2
			SCALE	SHEET
			--	2 OF 3

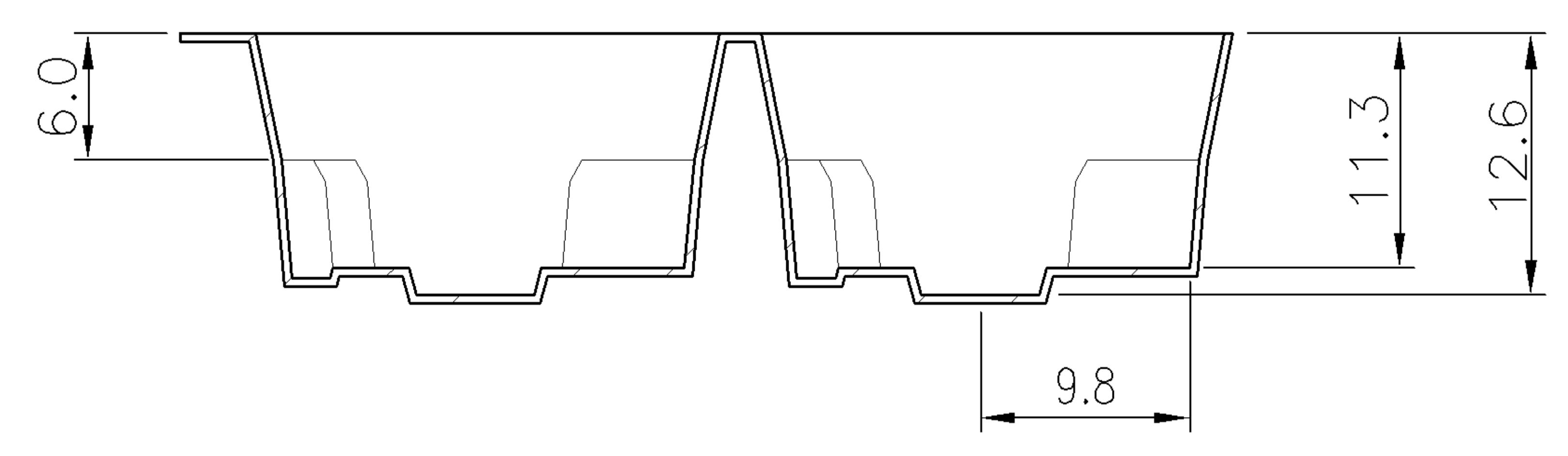
SEE SHEET 1.	ECN	DWN	CHK	DATE
LTR	REVISION RECORD			

THIS INFORMATION IS CONFIDENTIAL AND IS DISCLOSED TO YOU ON CONDITION THAT NO FURTHER DISCLOSURE IS MADE BY YOU TO OTHER THAN AMP PERSONNEL WITHOUT WRITTEN AUTHORIZATION FROM AMP (TAIWAN) LTD. DIMENSION IN MILLIMETERS. DO NOT SCALE PRINT.

METRIC
3RD ANGLE PROJECTION
NUMBER C-1734346



OUT BOX PACKAGE DIAGRAM DRAWING



SECTION A-A

348(L)X348(W)X340(H)	200	8	1600	10.5	9.5
BOX SIZE	PCS/TAPE	REELS/BOX	QUANTITY (PCS)	G/W (Kg)	N/W (Kg)

TOLERANCES UNLESS OTHERWISE SPECIFIED: 0 PLC ± 1 PLC ± 2 PLC ± 3 PLC ± ANGLES ±	DWN	O. HU	Tyco Electronics Corporation Taipei, Taiwan NAME USB CONNECTOR, SERIES B, 4 POSITIONS, R/A, SMT TYPE, WITH REAR SHELL		
	CHK	S. HOU			
MATERIAL	APVD	W.J. KE	LOC	SIZE	DRAWING NO
-	-	10-AUG-2007	DW	A ₃	C-1734346
FINISH	APPLICATION SPEC	WEIGHT	SCALE	REV B2	
-	-	-	--	SHEET 3 OF 3	

LTR	SEE SHEET 1.	ECN	DWN	DATE
	REVISION RECORD		CHK	