

Approval Specification

Customer:

Product: SMD Thick Film Resistor

CR-05 $\pm 1\%$ & $\pm 5\%$

Sizes : 0805

Approval Date: _____

Customer Approval:

(please sign & return)



TMTEC CO., LTD.

Headquarters

Tel: +886 7 8217999
Fax: +886 7 8228229
No.248-3, Sin-Sheng Rd.,
Cian-Jhen Dist., Kaohsiung, Taiwan, 806

Taipei Sales Office

Tel: +886 2 2501-1358
Fax: +886 2 2501-1216
7F, No.33, Sec.2, Jianguo N. Rd., Jhongshan
District, Taipei 10479, Taiwan

1. Features

- Small and light weight
- Excellent heat resistance and moisture resistance
- Lead free products for RoHS compliance
- ISO 9001, ISO 14001, ISO/TS 16949 Certified

2. Applications

- For all electronic products
- Miniaturization products

3. Description

The resistors are constructed on the alumina substrate. Top electrodes are added to each end and connected with resistive paste that is applied to top surface of the alumina substrate. The resistive layer is made by resistive paste that is prepared to approach the nominal value. Laser trimming process makes the resistance value to meet the nominal value and within the tolerance.

The resistive layer is protected by primary overcoat and secondary overcoat. Marking on secondary overcoat let user to know the resistance value directly. The barrier layer is added to edge electrodes for plating with external electrode that is the main role makes the resistor mounted on PCB.

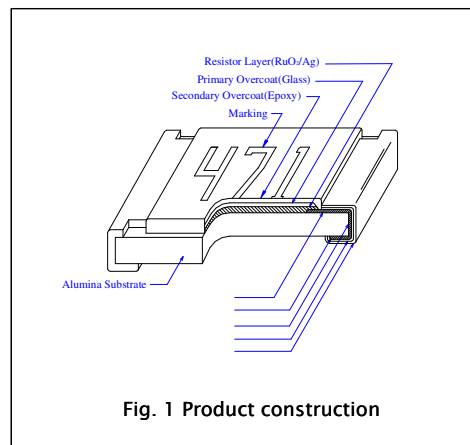


Fig. 1 Product construction

4. Quick Reference Data

Type name	CR-05
Size code	0805
Resistance tolerance	±1%, E24/E96 series ; ±5%, E24 series
Resistance range	±1% , ±5%: 1Ω~10MΩ, Jumper (<50mΩ)
Temperature Coefficient of Resistance (ppm/°C)	±1% ±5%
1Ω ≤ R ≤ 9.76Ω	±200
10Ω ≤ R ≤ 1MΩ	±100
1.02MΩ ≤ R ≤ 10MΩ	±200
Power rating (at 70°C)	1/8W
Max. operation voltage (DC or RMS)	150V
Max. overload voltage	300V
Jumper Rated current	2A
Climatic category (IEC 60068)	55/155/42

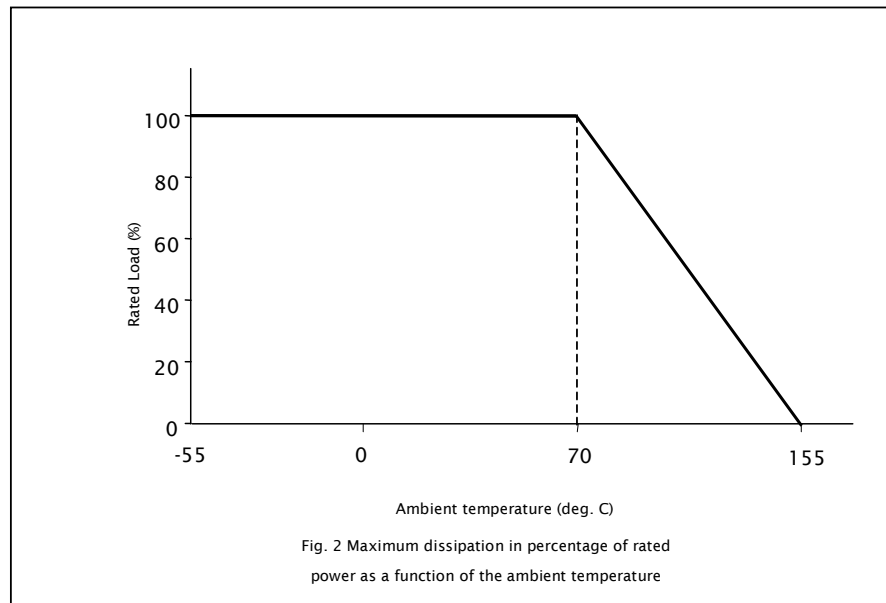
5. Order information

Digits	1	2	3	4	5	6	7	8	9	10	11	12	13	14
Order Code	C	R	-	0	5	F	L	7	-	-	1	3	3	K
	Type Name CR-05: 0805					Tolerance F: $\pm 1\%$ J: $\pm 5\%$	Function code L: Lead Free	Packaging 7 : 7" reel, paper tape, 5000 pcs/reel A : 10" reel, paper tape, 10000 pcs/reel D : 13" reel, paper tape, 20000 pcs/reel - : Not Applicable	Resistance Value - - - 0R : Jumper - - - 1R : 1 Ω - - - 1R2 : 1.2 Ω - - 3K32 : 3.32K Ω - - 10K2 : 10.2K Ω - - 100K : 100K Ω					

6. Functional description

Derating curve

For resistors operate in the ambient temperature over 70°C, loading power ratio will derate in accordance with following curve.



Soldering condition

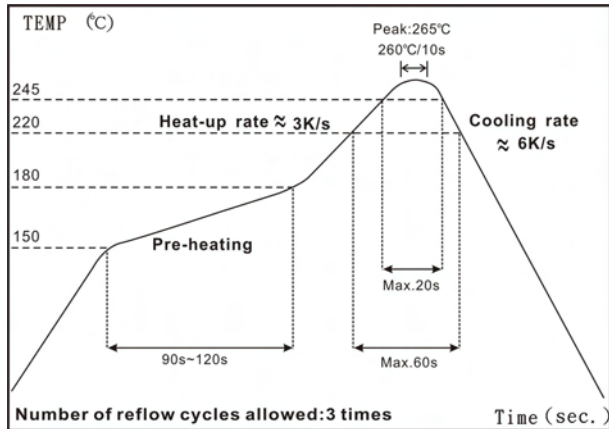


Fig.3 IR Reflow Soldering

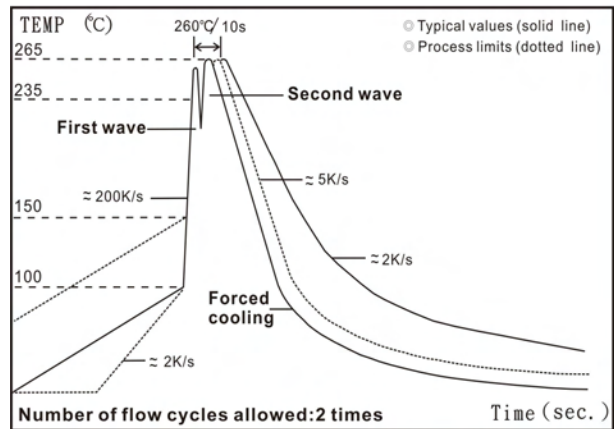


Fig.4 Wave Soldering (Flow Soldering)

- (1) Time of IR reflow soldering at maximum temperature point 260°C : 10s
- (2) Time of wave soldering at maximum temperature point 260°C : 10s
- (3) Time of soldering iron at maximum temperature point 410°C : 5s

7. Mechanical Data

Dimension

Type	CR-05
L (mm)	2.00±0.10
W (mm)	1.25±0.10
H (mm)	0.50±0.10
A (mm)	0.35±0.20
B (mm)	0.40±0.20

Mass per 1000 pcs

TYPE NAME	MASS (g)
CR-05	4.368

Outline

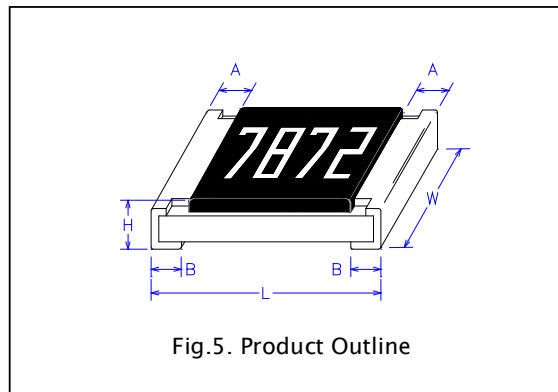


Fig.5. Product Outline

Termination

- (1) Thickness of Tin plating product termination : $\geq 3\mu\text{m}$
- (2) Thickness of Nickel plating product termination : $\geq 3\mu\text{m}$

Marking

Type A: 1% product is with 4 digits, first three digits are significant figures, and fourth digit is number of zeros. Letter "R" is as decimal point. Letter "0" for jumper

Type B: 5% product with 3 digits marking, the first two digits are significant figures; third digit is number of zeros to follow. Letter "R" is as decimal point. Letter "0" is for jumper.

Table 1 Making code example

Type	Product	Value	Example
A	CR-05, ±1%	68.1KΩ	
		Jumper	
B	CR-05, ±5%	68KΩ	

The marking example is as table 1.

8. Test and Requirements

In table 2 the tests and requirements are listed with reference relevant clause of IEC 60115-1. A short description of the test procedure is given. Essentially all tests are carried out refer to the schedule of IEC 60115-8-1. The testing also covers the requirements specified by EIA.

Table 2 Test procedure and requirements

Test Item	Test Method	Test Condition	Requirement		
			±1%	±5%	Jumper
Temperature Coefficient of Resistance (T.C.R.)	JIS C 5201 4.8 IEC 60115-1 4.8	-55°C~+155°C, 20°C is the reference temperature	Within the specification		
Short Time Overload	JIS C 5201 4.13 IEC 60115-1 4.13	2.5 times RCWV or Max. overload voltage, for 5 seconds	±(1.0%+0.05Ω)	±(2.0%+0.05Ω)	<50mΩ
Insulation Resistance	JIS C 5201 4.6 IEC 60115-1 4.6	Max. overload voltage for 1 minute	≥10G		
Voltage Proof	JIS C 5201 4.7 IEC 60115-1 4.7	1.42 times RCWV (RMS) for 1 minute	no breakdown or flashover		
Substrate Bending Test	JIS C 5201 4.33 IEC 60115-1 4.33	Bending once for 5 seconds with 3mm	±(1.0%+0.05Ω)	±(1.0%+0.05Ω)	<50mΩ
Resistance to soldering heat	JIS C 5201 4.18 IEC 60115 4.18	260±5°C for 10 seconds	±(0.5%+0.05Ω)	±(1.0%+0.05Ω)	<50mΩ
Leaching	JIS C 5201 4.18 IEC 60068-2-58 8.2.1	260±5°C for 30 seconds	Individual leaching area ≤ 5% Total leaching area ≤ 10%		
Solderability	JIS C 5201 4.17 IEC 60115-1 4.17	245±5°C for 3 seconds	>95% coverage		
Endurance at upper category temperature	JIS C 5201 4.23 IEC 60115-1 2.23.2	at+155°C for 1000 hrs	±(1.0%+0.05Ω)	±(1.5%+0.10Ω)	<50mΩ
Rapid change of temperature	JIS C 5201 4.19 IEC 60115-1 4.19	-55°C to +155°C, 5 cycles	±(0.5%+0.05Ω)	±(1.0%+0.05Ω)	<50mΩ
Damp heat with load	JIS 5201 4.24	40±2°C, 90~95% R.H. or Max. working voltage for 1000 hrs with 1.5hrs "ON" and 0.5 hr "OFF"	±(2.0%+0.10Ω)	±(3.0%+0.10Ω)	<100mΩ
Endurance	JIS C 5201 4.25 IEC 60115-1 4.25.1	70±2°C, or Max. working voltage for 1000 hrs with 1.5 hrs "ON" and 0.5 hr "OFF"	±(2.0+0.10Ω)	±(3.0+0.10Ω)	<100mΩ

Note:

RCWV : Rated continuous working voltage

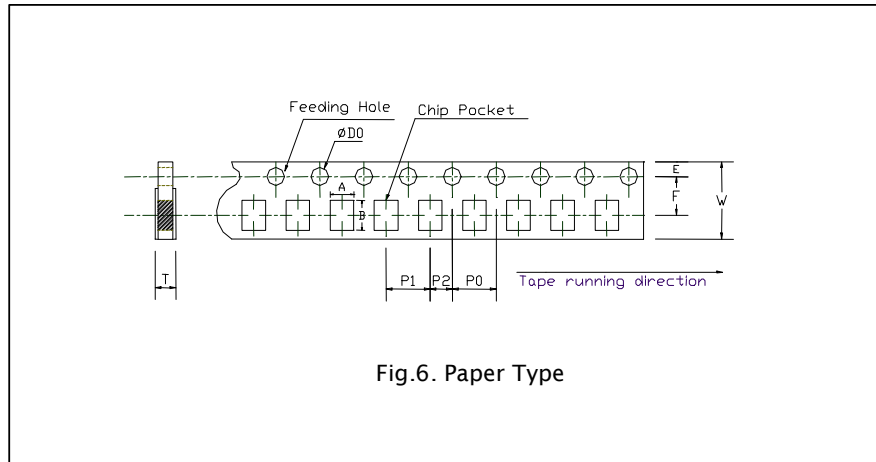
RCWV=Radical of Rated power x Resistance value

9. Packaging

Packaging Methods

Type (unit: piece)	Paper Tape		
	7" (178mm)	10" (254mm)	13" (330mm)
CR-05	5000	10000	20000

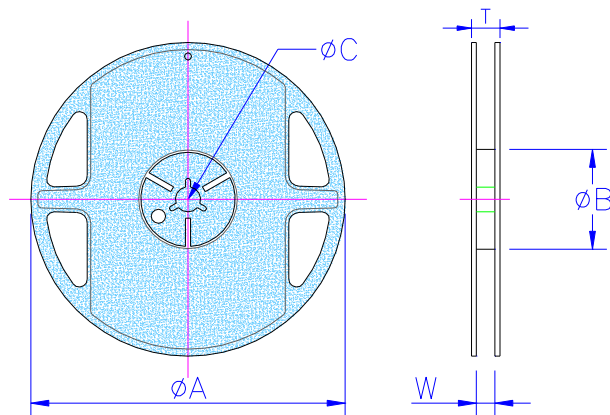
Paper Tape



Type	A	B	W	E	F	P0	P1	P2	$\phi D0$	T
CR-05	1.60 ± 0.1	2.40 ± 0.2	8.0 ± 0.2	1.75 ± 0.1	3.5 ± 0.05	4.0 ± 0.1	4.0 ± 0.05	2.0 ± 0.05	$1.5^{+0.1/0}$	0.85 ± 0.1

Unit: mm

Reel Specification



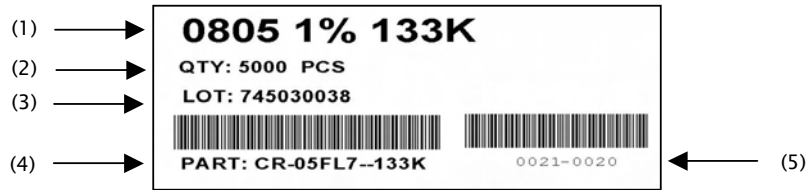
Unit: mm

Style	Packing	Tape width	Reel Diameter	ϕA	ϕB	ϕC	W	T
CR-05	Paper	8mm	7 inch	178.5 ± 1.5	$60^{+1/0}$	13.0 ± 0.2	9.0 ± 0.5	12.5 ± 0.5
			10 inch	254 ± 1	100 ± 0.5	13.0 ± 0.2	9.5 ± 0.5	13.5 ± 0.5
			13 inch	330 ± 1	100 ± 0.5	13.0 ± 0.2	9.5 ± 0.5	13.5 ± 0.5

Label

The label put on each reel denoted with each products types, tolerance, resistance value, Q'ty, each lot tracing no and barcode etc.

Example



- (1) Type / Tolerance / Resistance value
- (2) Reel packing quantity
- (3) Lot Number
- (4) Part Number
- (5) Labeling control sequence

10. Storage Condition

- (1)Suggest temperature : 5~40°C
- (2)Suggest humidity : 40%~80% R.H.

11. Revising History

Revision	Date	Change notification	Description
Rev.1	2005/2/23	N/A	New issue
Rev.2	2005/8/8	N/A	Revise soldering condition and reel drawing
Rev.3	2006/4/6	N/A	Add storage condition of chip resistor
Rev.4	2007/2/1	N/A	Revise soldering temp. and test method
Rev.5	2008/2/20	N/A	Test And Requirements-Leaching
Rev.6	2008/8/4	N/A	Revise Features & Applications; Cancel Bulk Cassette; Revise Reel Specification