

CR Button

Type	Order No.	A	B	C	D	E	F	G	H	I	K	L	Fig. No.	Remarks
CR 2025	6025 101 501	20.0	2.5	0.2	—	—	—	—	—	—	—	—	8	—
CR 2025 ST	6025 201 501	21.3	1.0	10.0 ±0.2	1.0 ±0.3	3.0 ±0.5	20.3 ±0.15	—	1.0 ±0.3	4.5	—	—	9	tag 0.25 mm
CR 2025 SC STO	6025 301 501	20.0	—	—	—	2.8	20.3	—	—	—	10.0	4.0	10	tag 0.15 mm
CR 2025 BE PCBD	6025 401 501	20.0	1.0	10.0	10.0	2.8	17.8	7.3	10.0	4.5	11.4	—	11	tag 0.15 mm
CR 2032	6032 101 501	20.0	3.2	0.02	—	16.5	—	—	—	—	—	—	8	—
CR 2032 SC PCBD	6032 201 501	21.5	1.0	10.0	1.0 ±0.3	4.2	20.3	—	1.0	4.5	—	—	9	tag 0.25 mm
CR 2032 SC STO	6032 301 501	—	—	—	—	3.2	20.3	—	—	—	10.0	4.0	10	tag 0.15 mm
CR 2032 PCBD	6032 401 501	20.0	1.0	10.0	11.0	3.2	17.8	7.5	10.0	4.5	11.4	—	11	tag 0.25 mm
CR 2032 BE PCBS	6032 701 501	20.0	1.0	—	11.0	3.2	17.8	7.3	10.0	4.5	10.0	—	12	tag 0.20 mm
CR 2032 S WC ¹⁾	6032 101 013	20.7	—	—	—	5.5	30.0	—	—	—	96.0	2.0	13	tag 0.20 mm ²⁾
CR 2032 S STO	6032 101 012	20.0	7.0	2.8	5.0	3.8	—	—	—	—	—	—	14	—

Tag material: nickel plated sheet-steel. SLF: tip tinned.

¹⁾ using Molex 51021-03 connector (Other wire connectors and wire length are available on request.) ²⁾ in shrink sleeve with wire and connector
 Custom made assemblies are available on request for large volume.

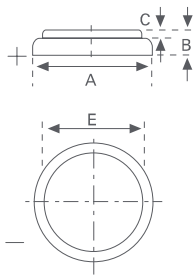


FIG. 8

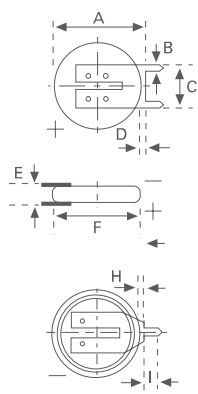


FIG. 9 SLF

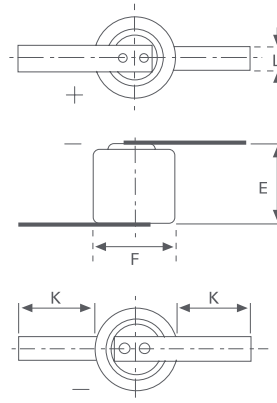


FIG. 10 LF

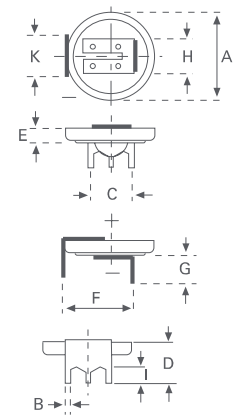


FIG. 11 PCB3

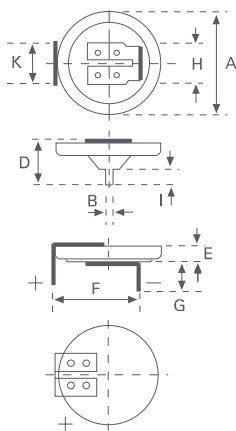


FIG. 12 PCB 2

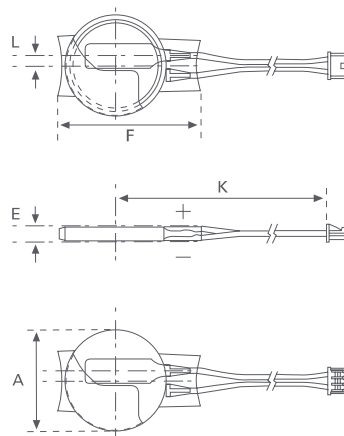


FIG. 13 WC

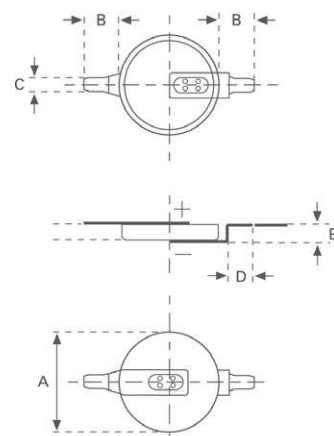


FIG. 14 SMT