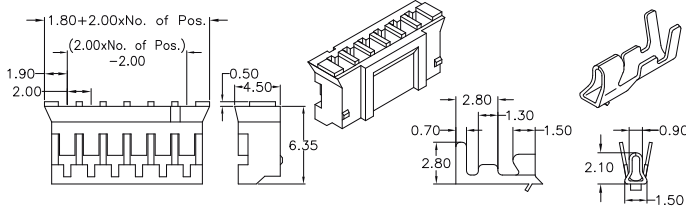


## Shrouded Type - front open plastic

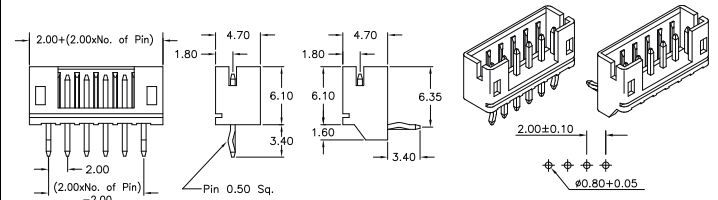
**O - Type** female plug (AWG 26 to 30)



Order Code housing: **CRF-1xx-O200**

contact: **CRF-999-O200-99**

**O - Type** -THT- male

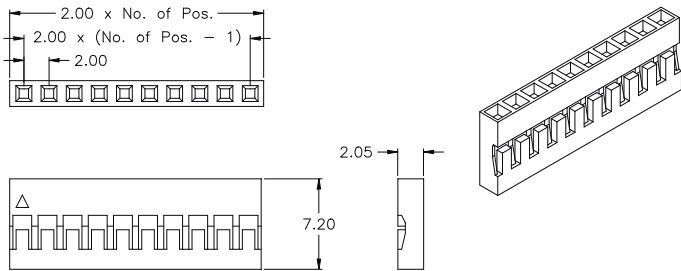


Order Code straight: **CRS-1xx-O200-99**

right angle: **CRR-1xx-O200-99**

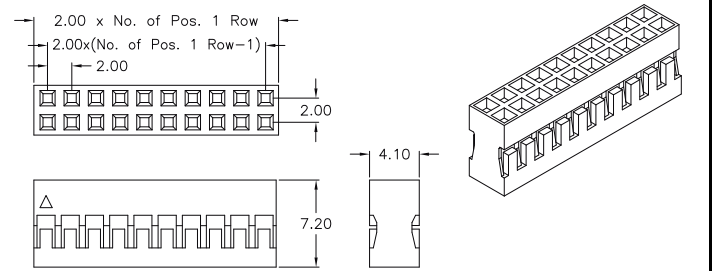
## Female Header Type

**H - Type** single row (AWG 26 to 30)



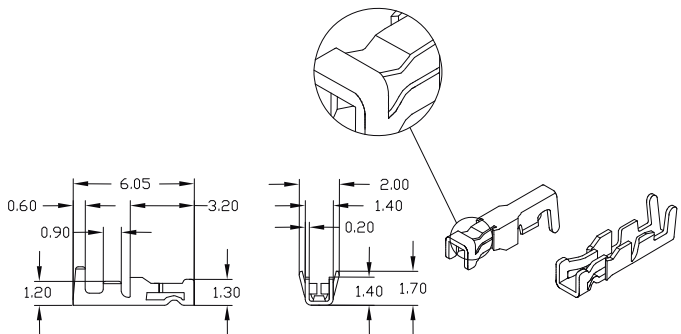
Order Code housing: **CRF-1xx-H200**

**H - Type** dual row (AWG 26 to 30)



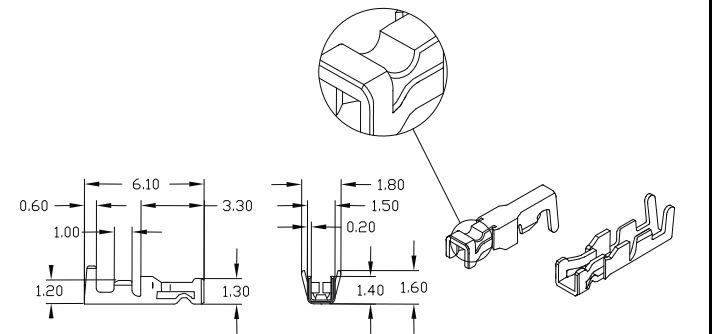
Order Code housing: **CRF-2xx-H200**

## H - Type female contact



if for single row 01-19 & dual row 04-18 contacts:

Order Code: **CRF-999L-H200-55**



if for single row 20-40 & dual row 20-80 contacts:

Order Code: **CRF-999-H200-55**

## SPECIFICATIONS

Current rating	1 A	Contact resistance	20 mΩ max.	Contact material	Copper alloy
Insulator resistance	1000 MΩ min.	Withstanding voltage	800 V AC	Insulator material	Nylon UL 94 V-0
Voltage rating	100 V AC max.	Operating temp.	-25°C to +90°C	PCB Thickness	1.60 mm (.063")

## How to order

**CR X - x xx - X 200 - 99**

Type	Rows	Nbr of contacts	Execution	Plating
<b>F</b> = Female	<b>1</b> = single row	<b>02 - 16</b> = O - type	<b>O</b> = O - type	<b>99</b> = tin (leadfree)
<b>R</b> = R/A male	<b>2</b> = double row	<b>01 - 40</b> = H - type - 1 row	<b>H</b> = H - type	<b>55</b> = gold
<b>S</b> = Straight male	<b>9</b> = loose contacts	<b>04 - 80</b> = H - type - 2 row	Refer to above drawings for details	Other platings on request
		<b>99</b> = loose contact MOQ: 10K / reel		