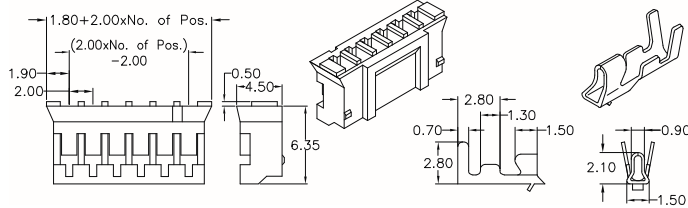


Shrouded Type - front open plastic

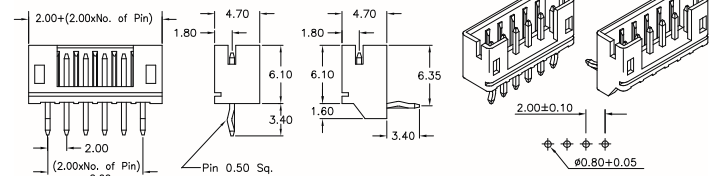
O - Type female plug (AWG 26 to 30)



Order Code housing: **CRF-1xx-O200**

contact: **CRF-999-O200-99**

O - Type -THT- male

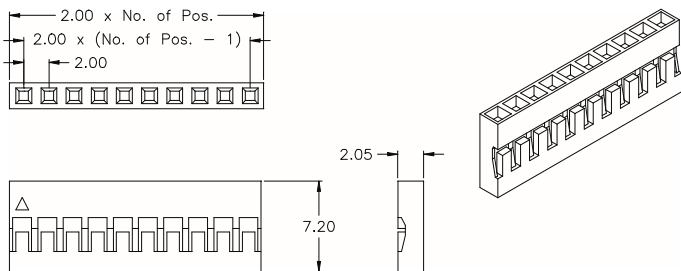


Order Code straight: **CRS-1xx-O200-99**

right angle: **CRR-1xx-O200-99**

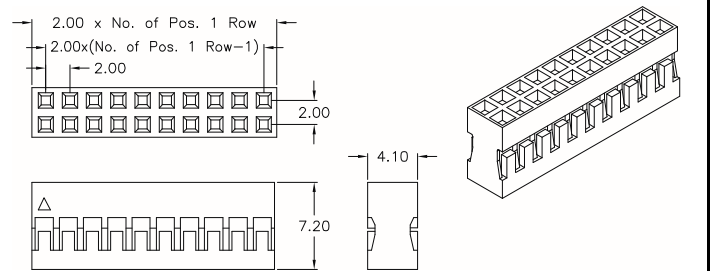
Female Header Type

H - Type single row (AWG 26 to 30)



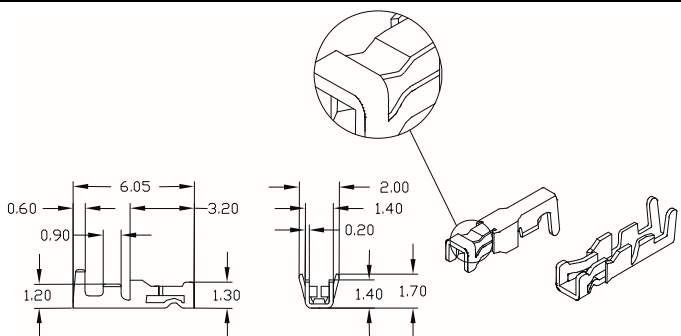
Order Code housing: **CRF-1xx-H200**

H - Type dual row (AWG 26 to 30)



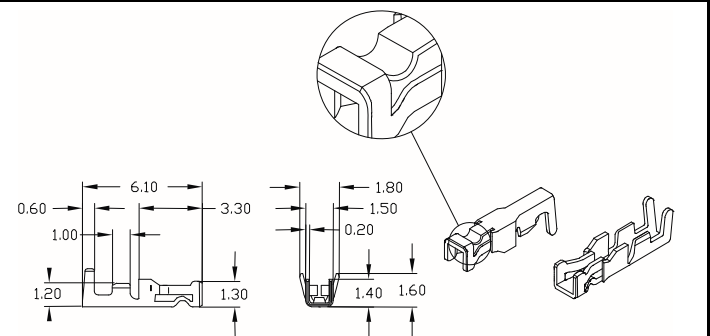
Order Code housing: **CRF-2xx-H200**

H - Type female contact



if for single row 01-19 & dual row 04-18 contacts:

Order Code: **CRF-999L-H200-55**



if for single row 20-40 & dual row 20-80 contacts:

Order Code: **CRF-999-H200-55**

SPECIFICATIONS

Current rating	1 A	Contact resistance	20 mΩ max.	Contact material	Copper alloy
Insulator resistance	1000 MΩ min.	Withstanding voltage	800 V AC	Insulator material	Nylon UL 94 V-0
Voltage rating	100 V AC max.	Operating temp.	-25°C to +90°C	PCB Thickness	1.60 mm (.063")

How to order

CR X - x xx - X 200 - 99

Type
F = Female
R = R/A male
S = Straight male

Rows
1 = single row
2 = double row
9 = loose contacts

Nbr of contacts
02 - 16 = O - type
01 - 40 = H - type - 1 row
04 - 80 = H - type - 2 row
99 = loose contact MOQ: 10K / reel

Execution
O = O - type
H = H - type
Refer to above drawings for details

Plating
99 = tin <i>(leadfree)</i>
55 = gold
Other platings on request