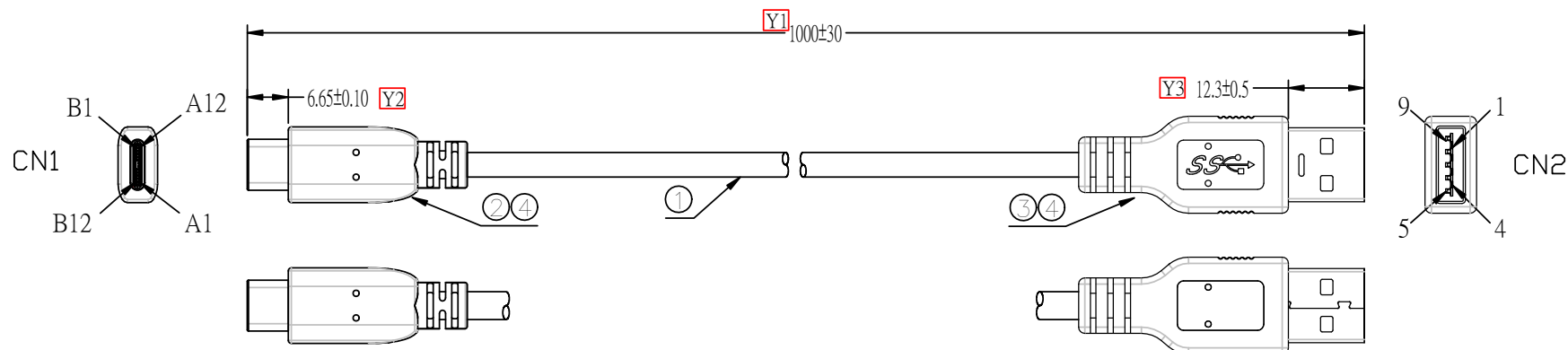


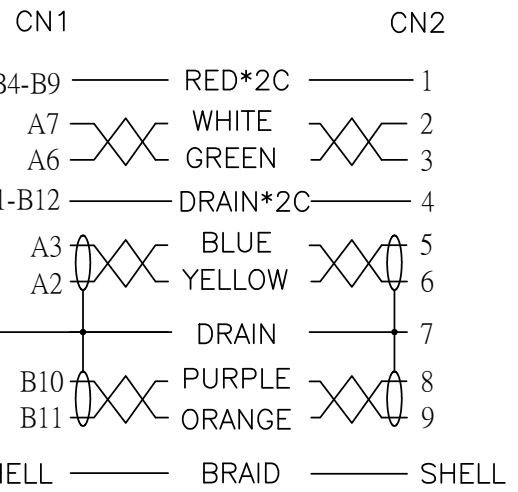
THE INFORMATION CONTAINED IN THIS DRAWING IS THE SOLE PROPERTY OF AMPHENOL CABLES ON DEMAND. ANY REPRODUCTION OR DISCLOSURE, TO THIRD PARTIES, IN PART OR WHOLE, WITHOUT THE EXPRESS WRITTEN PERMISSION OF AMPHENOL CABLES ON DEMAND IS PROHIBITED.

REV. NO.		DESCRIPTION	DATE	APPROVED
00		NEW RELEASE	15.09.29	QG



Data transfer rate up to 5Gbps (Nominal)
 Current rating up to 3A (Nominal)
 Voltage rating up to 20V (Nominal)

CONNECTION



MATERIALS LIST:

- CABLE:UL2725 (7/0.085TA*1PR+EAM)*2+7/0.08TA*1PR +19/0.10TA*2C+19/0.1TA*2+Conductive film(PE)+B85% OD:4.0mm JACKET PVC COLOR:BLACK(S150625007)
- CONNECTOR:USB TYPE C/M,INSULATOR BLACK,NICKEL PLATED SHELL, PIN GOLD PLATED.
- CONNECTOR:USB3.1 A/M,INSULATOR BLUE,NICKEL PLATED SHELL, PIN GOLD PLATED.
- PVC MOLDED:V398 45P BLACK

ELECTRONIC TEST:

A.OPEN/SHORT/INTERMITTENCE: 100%.

REMARK:

- ALL MATERIALS TO MEET RoHS
- CHECK IMPORTANT SIZE:Y1&Y3



UNLESS OTHERWISE SPECIFIED DIMENSIONS ARE IN INCHES TOLERANCES ARE:	EAR NO.		Amphenol Cables on Demand	
	APPROVALS	DATE	20 VALLEY ST. ENDICOTT, NY 13760	
DECIMALS	±X	ANGLES	DRAWN	Zengde 15.09.29
.XX	±.XX		CHECKED	qingguo 15.09.29
.XXX	±.XXX		RESP ENG	
THIRD ANGLE PROJECTION	MFG ENG		SIZE DWG. NO.	
			A CS-USB3.1TYPC-001M	
CAD FILE:			SCALE	SHEET 1 OF 1

NOTES: UNLESS OTHERWISE SPECIFIED