

# DIN SERIES

## DINRAIL / MODULE BOX



### PRODUCT INFORMATION

#### MATERIAL:

- High impact Polycarbonate/ABS UL94-V0, grey.

#### FEATURES:

- DIN rail module boxes supplied in a range of 6 different sizes ( 1M, 2M ,3M, 4M ,6M & 9M ).
- Designed to incorporate DIN EN60715 Rail.
- Easy assembly snap fit construction.
- Snap fit terminal covers available in either transparent or IR Red polycarbonate UL94-V0.
- Available with snap fit grey guards.

Content D4MG



ITEM No.	PRODUCT DESCRIPTION	COLOR	EXTERNAL DIMENSION(mm)
<b>D1MG</b>	DIN-RAIL MODULE BOX , 1MG	Grey	18.1 X 90.2 X 57.5
<b>D2MG</b>	DIN-RAIL MODULE BOX , 2MG	Grey	36.3 X 90.2 X 57.5
<b>D3MG</b>	DIN-RAIL MODULE BOX , 3MG	Grey	53.3 X 90.2 X 57.5
<b>D4MG</b>	DIN-RAIL MODULE BOX , 4MG	Grey	71 X 90.2 X 57.5
<b>D6MG</b>	DIN-RAIL MODULE BOX , 6MG	Grey	106.25 X 90.2 X 57.5
<b>D9MG</b>	DIN-RAIL MODULE BOX , 9MG	Grey	159.5 X 90.2 X 57.5

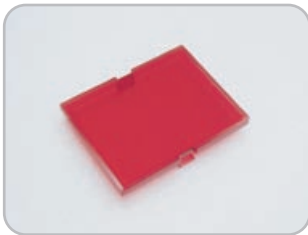
# COVER(Transparent & Infra red cover), WALL CLIP

## COVER (Transparent & Infra red cover)



ITEM No.	PRODUCT DESCRIPTION	MATERIAL	EXTERNAL DIMENSION(mm)
<b>D1MG-COVER-C</b>	Transparent cover for D1MG use	PC-V0	42 x 14 x 1.9
<b>D1MG-COVER-IR</b>	Infra red cover for D1MG use	PC-V0	42 x 14 x 1.9
<b>D2MG-COVER-C</b>	Transparent cover for D2MG use	PC-V0	42 x 32.1 x 2.5
<b>D2MG-COVER-IR</b>	Infra red cover for D2MG use	PC-V0	42 x 32.1 x 2.5
<b>D3MG-COVER-C</b>	Transparent cover for D3MG use	PC-V0	42 x 49 x 2.5
<b>D3MG-COVER-IR</b>	Infra red cover for D3MG use	PC-V0	42 x 49 x 2.5
<b>D4MG-COVER-C</b>	Transparent cover for D4MG use	PC-V0	42 x 66.8 x 2.5
<b>D4MG-COVER-IR</b>	Infra red cover for D4MG use	PC-V0	42 x 66.8 x 2.5
<b>D6MG-COVER-C</b>	Transparent cover for D6MG use	PC-V0	42 x 102.1 x 2.5
<b>D6MG-COVER-IR</b>	Infra red cover for D6MG use	PC-V0	42 x 102.1 x 2.5
<b>D9MG-COVER-C</b>	Transparent cover for D9MG use	PC-V0	42 x 155.4 x 2.5
<b>D9MG-COVER-IR</b>	Infra red cover for D9MG use	PC-V0	42 x 155.4 x 2.5

Example:



D2MG-COVER-IR

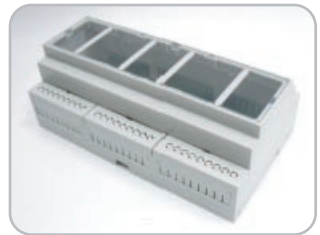


D2MG  
with D2MG-COVER-IR

Example:



D9MG-COVER-C



D9MG  
with D9MG-COVER-C

## WALL CLIP

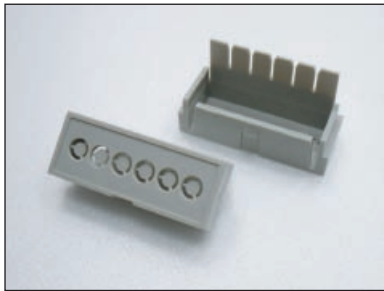
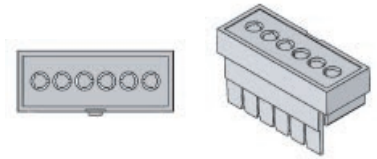
Example:



ITEM No.	PRODUCT DESCRIPTION
<b>DXMG-WALL CLIP</b>	Wall clip for DIN-Rail module box use

# Guard (Perforated, Solid and Pre-drilled)

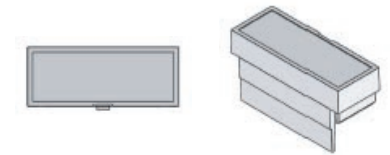
## GUARD



D2MG-GUARD  
(Perforated)

### TYPE A : Perforated

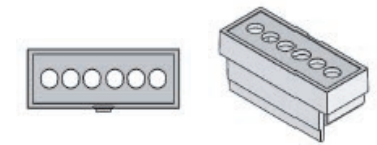
ITEM No.	TYPE	PRODUCT DESCRIPTION	SALES PACKAGE
D1MG-GUARD	Perforated	For D1MG use	2pcs/bag
D2MG-GUARD	Perforated	For D2MG use	2pcs/bag
D4MG-GUARD	Perforated	For D4MG use	2pcs/bag
D3MG/D6MG/D9MG-GUARD	Perforated	For D3MG/D6MG/D9MG use	2pcs/bag



D3MG/D6MG/D9MG-GUARD-NO  
(Solid)

### TYPE B : Solid

ITEM No.	TYPE	PRODUCT DESCRIPTION	SALES PACKAGE
D1MG-GUARD-NO	Solid	For D1MG use	2pcs/bag
D2MG-GUARD-NO	Solid	For D2MG use	2pcs/bag
D4MG-GUARD-NO	Solid	For D4MG use	2pcs/bag
D3MG/D6MG/D9MG-GUARD-NO	Solid	For D3MG/D6MG/D9MG use	2pcs/bag



D1MG-GUARD-HH  
(Pre-drilled)

### TYPE C : Pre-drilled

ITEM No.	TYPE	PRODUCT DESCRIPTION	SALES PACKAGE
D1MG-GUARD-HH	Pre-drilled	For D1MG use	2pcs/bag
D2MG-GUARD-HH	Pre-drilled	For D2MG use	2pcs/bag
D4MG-GUARD-HH	Pre-drilled	For D4MG use	2pcs/bag
D3MG/D6MG/D9MG-GUARD-HH	Pre-drilled	For D3MG/D6MG/D9MG use	2pcs/bag

#### Example



D6MG  
(with D3/D6/D9MG-GUARD)



D6MG  
(with D3/D6/D9MG-GUARD-NO)



D1MG  
(with D1MG-GUARD-HH)

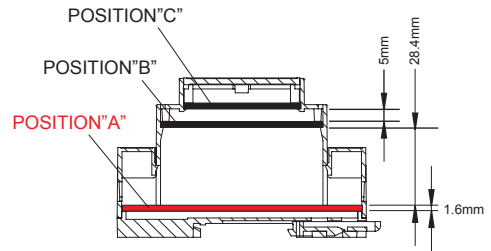
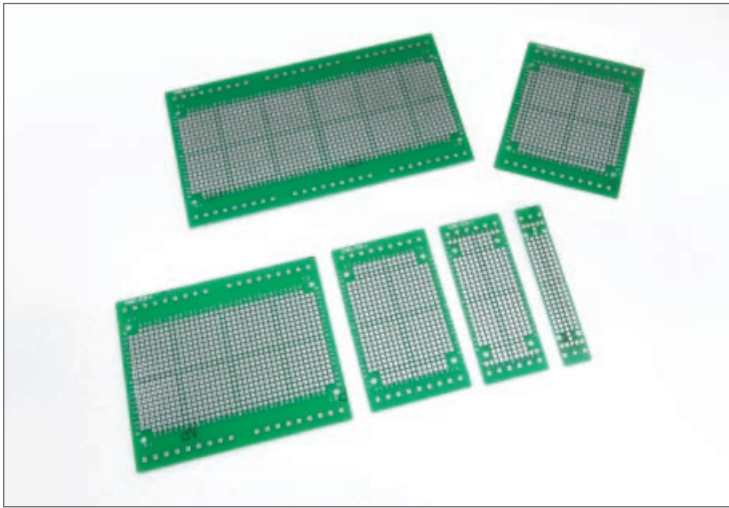
#### Example (Sales Package)



(2pcs/bag)

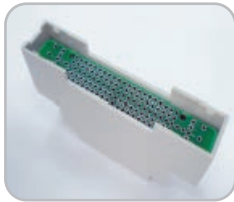
# PCB and Terminal Block

## PCB of position " A" for DXMG use

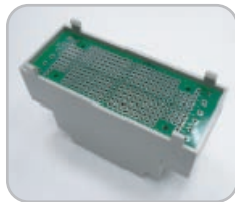


ITEM No.	EXTERNAL DIMENSION(mm)		
	LENGTH	WIDTH	HEIGHT
D1MG-PCB-A	14.3	86.9	1.6
D2MG-PCB-A	32.8	86.9	1.6
D3MG-PCB-A	50	86.9	1.6
D4MG-PCB-A	67.8	86.9	1.6
D6MG-PCB-A	102.8	86.9	1.6
D9MG-PCB-A	156.2	86.9	1.6

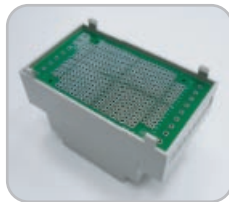
### Example:



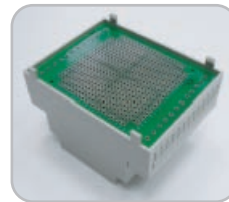
D1MG  
with D1MG-PCB-A



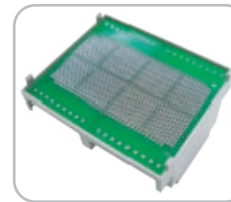
D2MG  
with D2MG-PCB-A



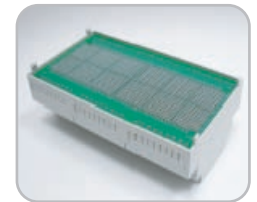
D3MG  
with D3MG-PCB-A



D4MG  
with D4MG-PCB-A

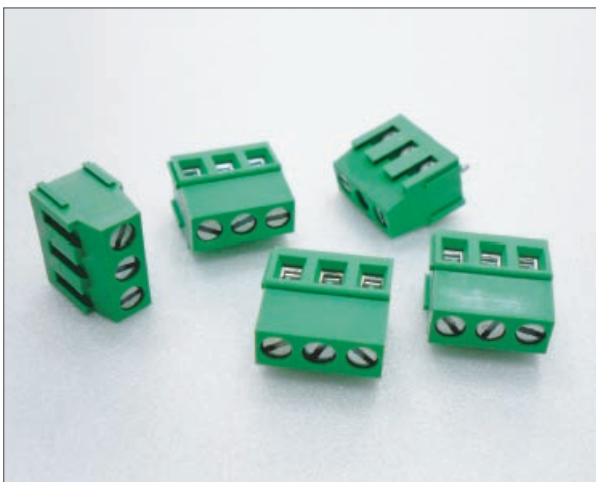


D6MG  
with D6MG-PCB-A



D9MG  
with D9MG-PCB-A

## 3WAY of terminal block for DXMG use



ITEM No.	PRODUCT DESCRIPTION
DXMG-3WAY	3WAY of terminal block for D2MG/D3MG/D4MG/D6MG /D9MG use

### Example:

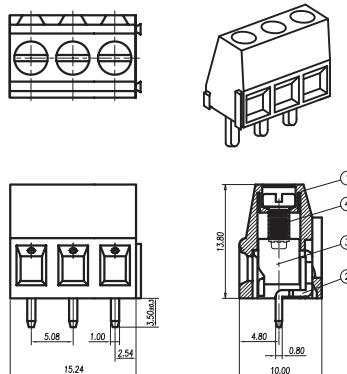


D2MG with  
3WAY of terminal block



D6MG with  
3WAY of terminal block

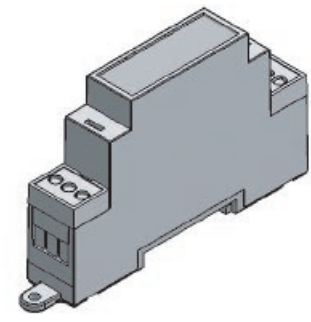
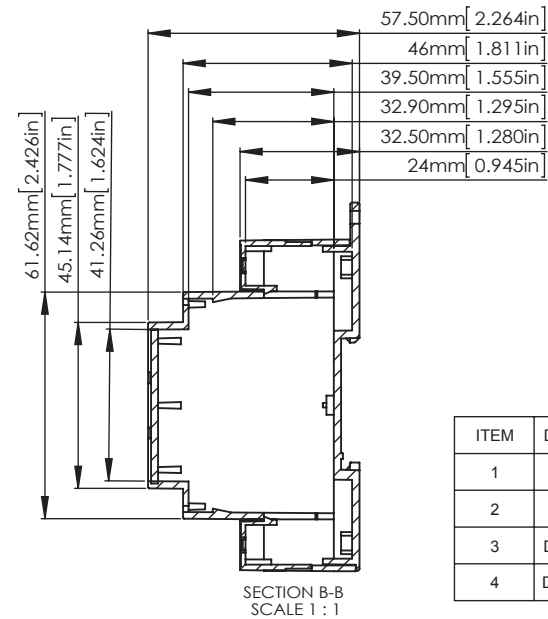
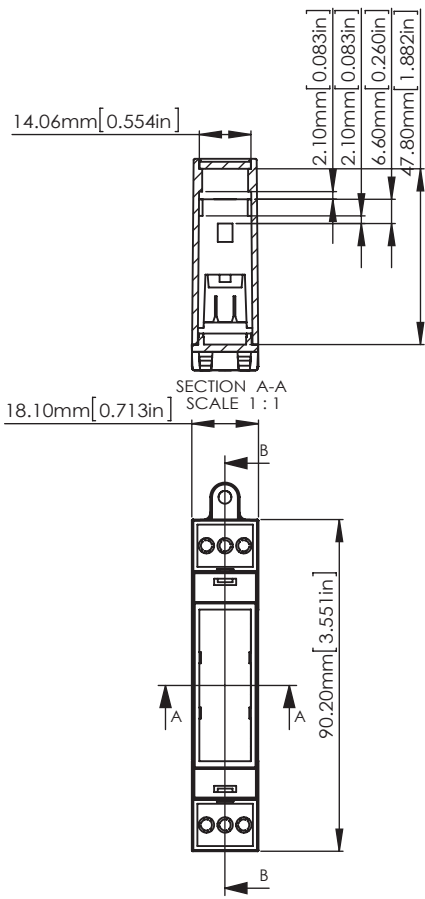
### DXMG-3WAY DRAWING:



### NOTES:

1. Rating: 300V 20A (IEC 250V 24A)  
PITCH: 5.08mm
2. Insulation Withstands Voltage:  
AC 2000V at 1 minute
3. Insulation Resistance:  
500M  $\Omega$  or more at DC500V
4. Using Temperature Range:  
-40°C~+105°C
5. Suitable Electric Wire:  
24~12AWG (IEC 0.5~2.5mm<sup>2</sup>)
6. Torque Value: 4 kg-cm
7. RoHS compliance

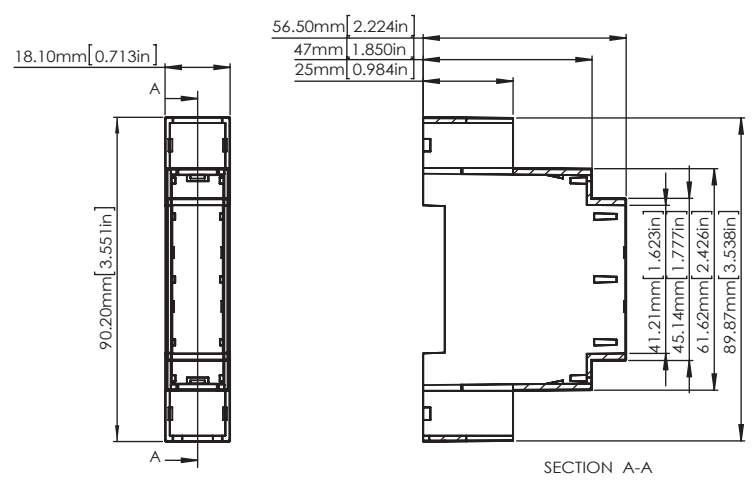
# D1MG



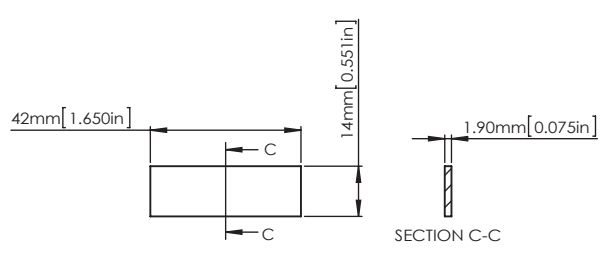
ASSEMBLY

ITEM	DESCRIPTION	MATERIAL	COLOUR	UNIT
1	D1MG-BODY	PC/ABS(UL94-V0)	GREY	1
2	D1MG-BASE	PC/ABS(UL94-V0)	GREY	1
3	D1MG-COVER	PC/ABS(UL94-V0)	GREY	1
4	D1MG-GUARD	PC/ABS(UL94-V0)	GREY	2

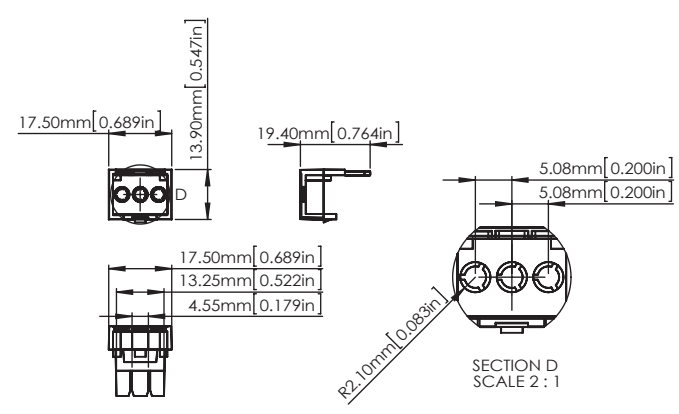
## D1MG-BODY



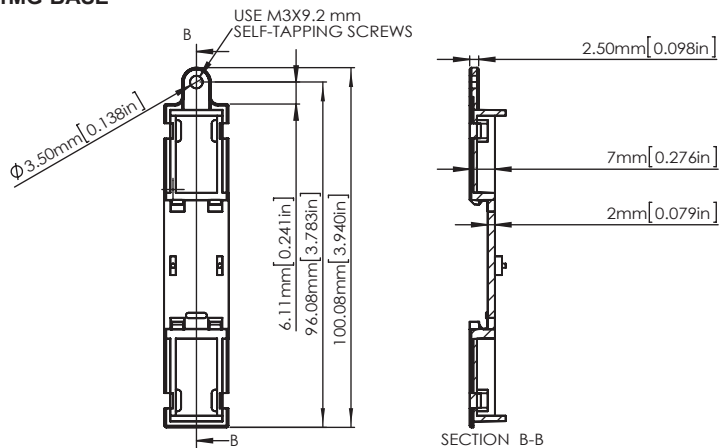
## D1MG-COVER



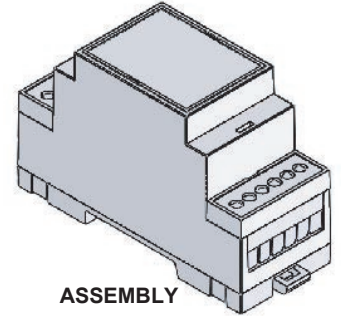
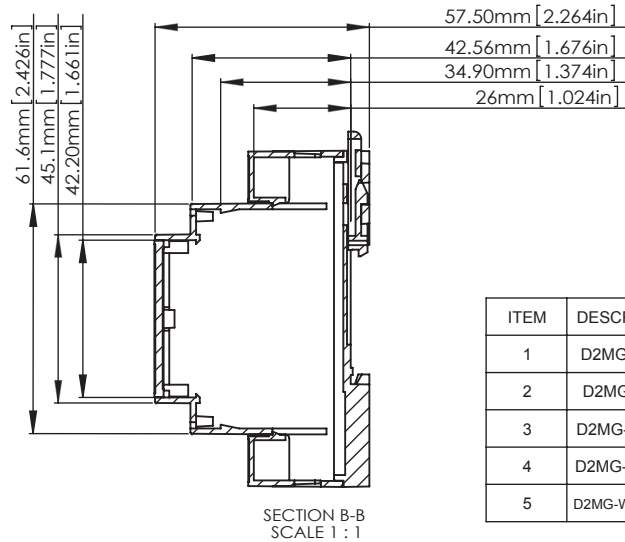
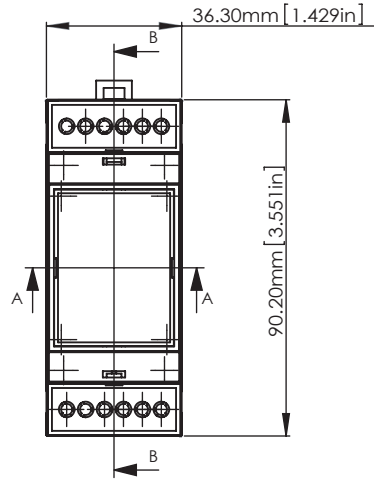
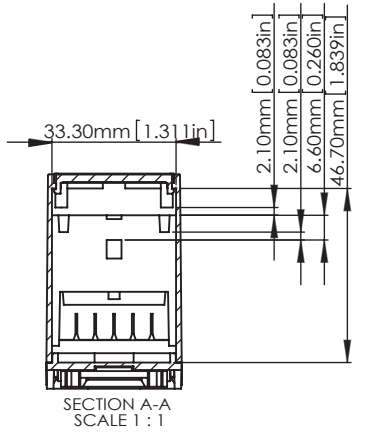
## D1MG-GUARD



## D1MG-BASE

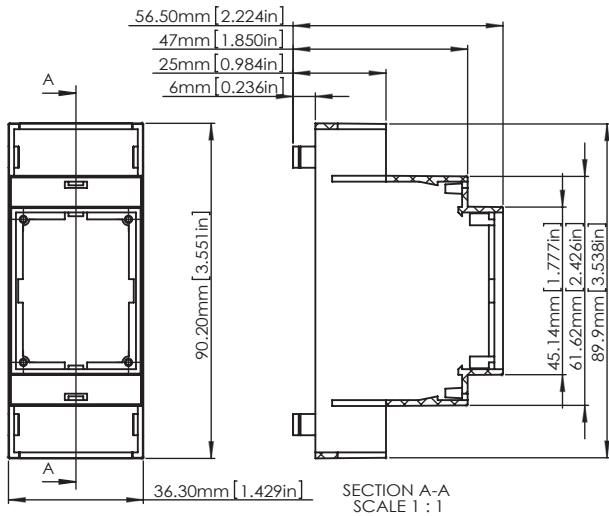


# D2MG

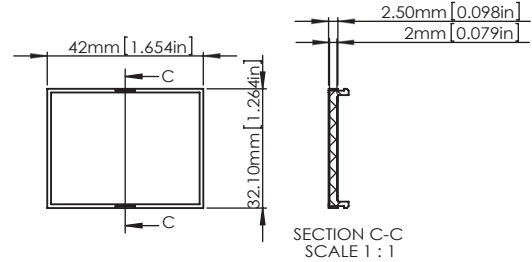


ITEM	DESCRIPTION	MATERIAL	COLOUR	UNIT
1	D2MG-BODY	PC/ABS(UL94-V0)	GREY	1
2	D2MG-BASE	PC/ABS(UL94-V0)	GREY	1
3	D2MG-COVER	PC/ABS(UL94-V0)	GREY	1
4	D2MG-GUARD	PC/ABS(UL94-V0)	GREY	2
5	D2MG-WALL CLIP	NYLON66(UL94-V0)	DARK GREY	1

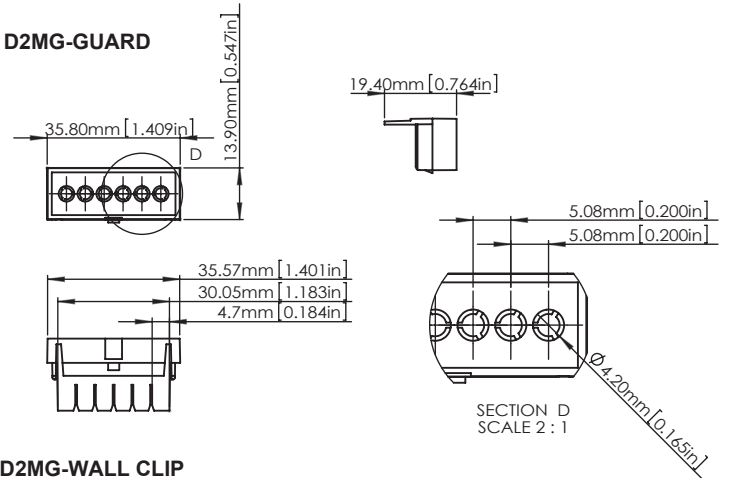
## D2MG-BODY



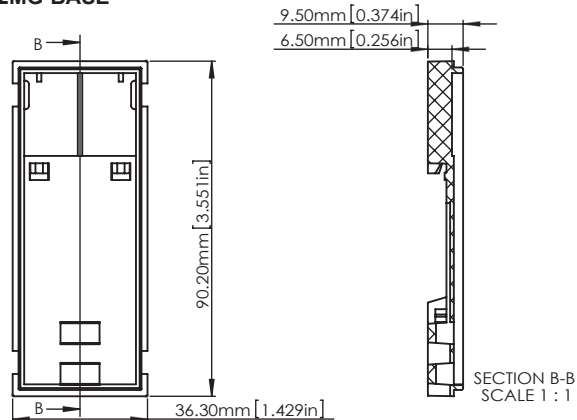
## D2MG-COVER



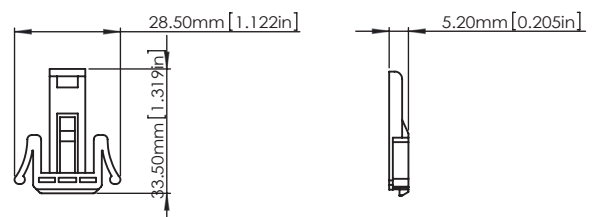
## D2MG-GUARD



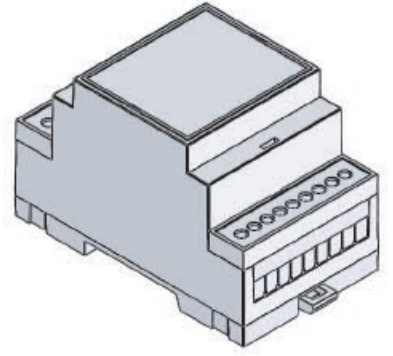
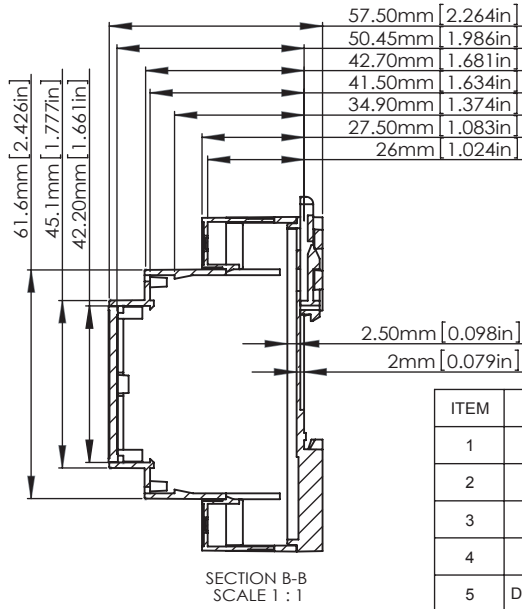
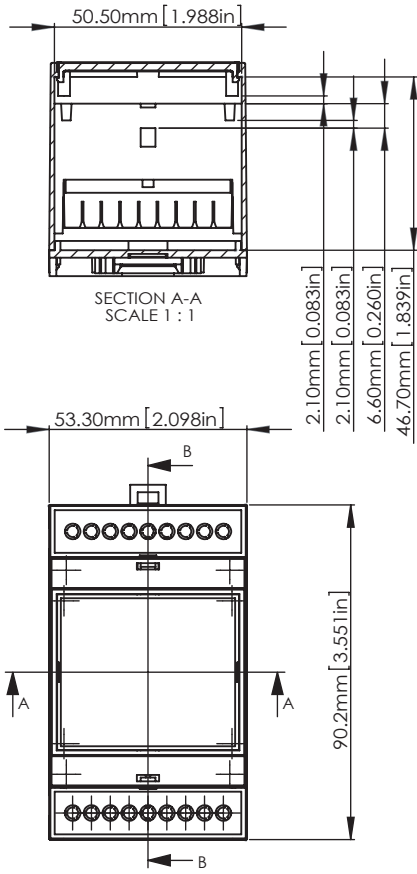
## D2MG-BASE



## D2MG-WALL CLIP



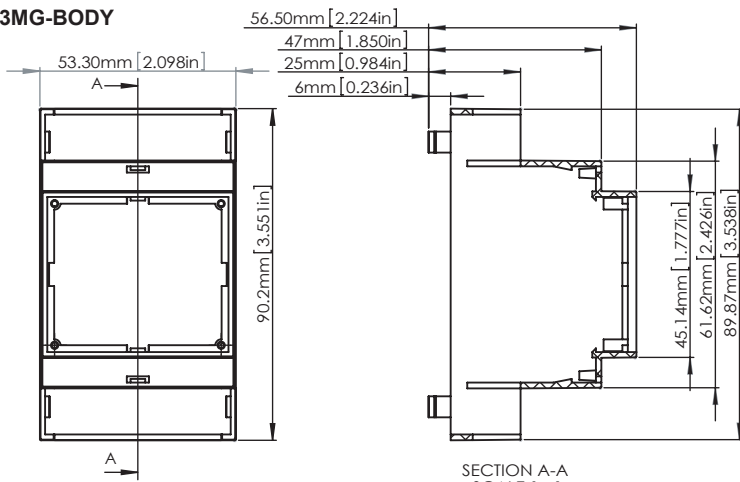
# D3MG



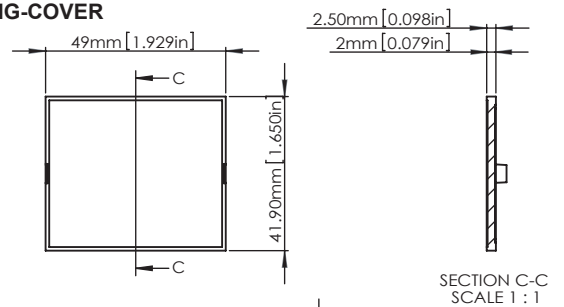
ASSEMBLY

ITEM	DESCRIPTION	MATERIAL	COLOUR	UNIT
1	D3MG-BODY	PC/ABS(UL94-V0)	GREY	1
2	D3MG-BASE	PC/ABS(UL94-V0)	GREY	1
3	D3MG-COVER	PC/ABS(UL94-V0)	GREY	1
4	D3MG-GUARD	PC/ABS(UL94-V0)	GREY	2
5	D3MG-WALL CLIP	NYLON66(UL94-V0)	DARK GREY	1

## D3MG-BODY



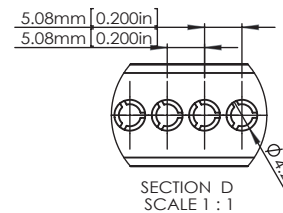
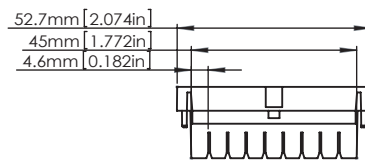
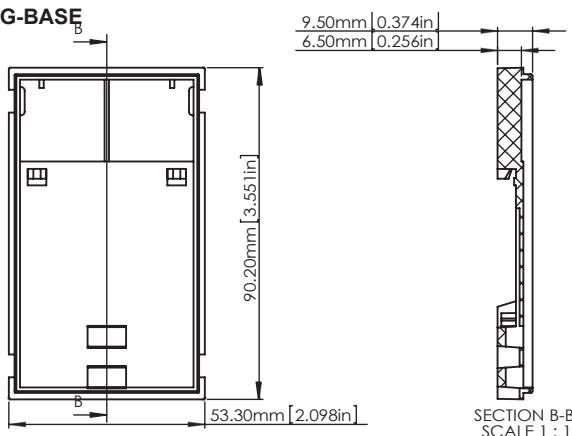
## D3MG-COVER



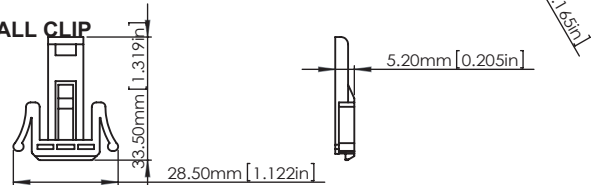
## D3MG-GUARD



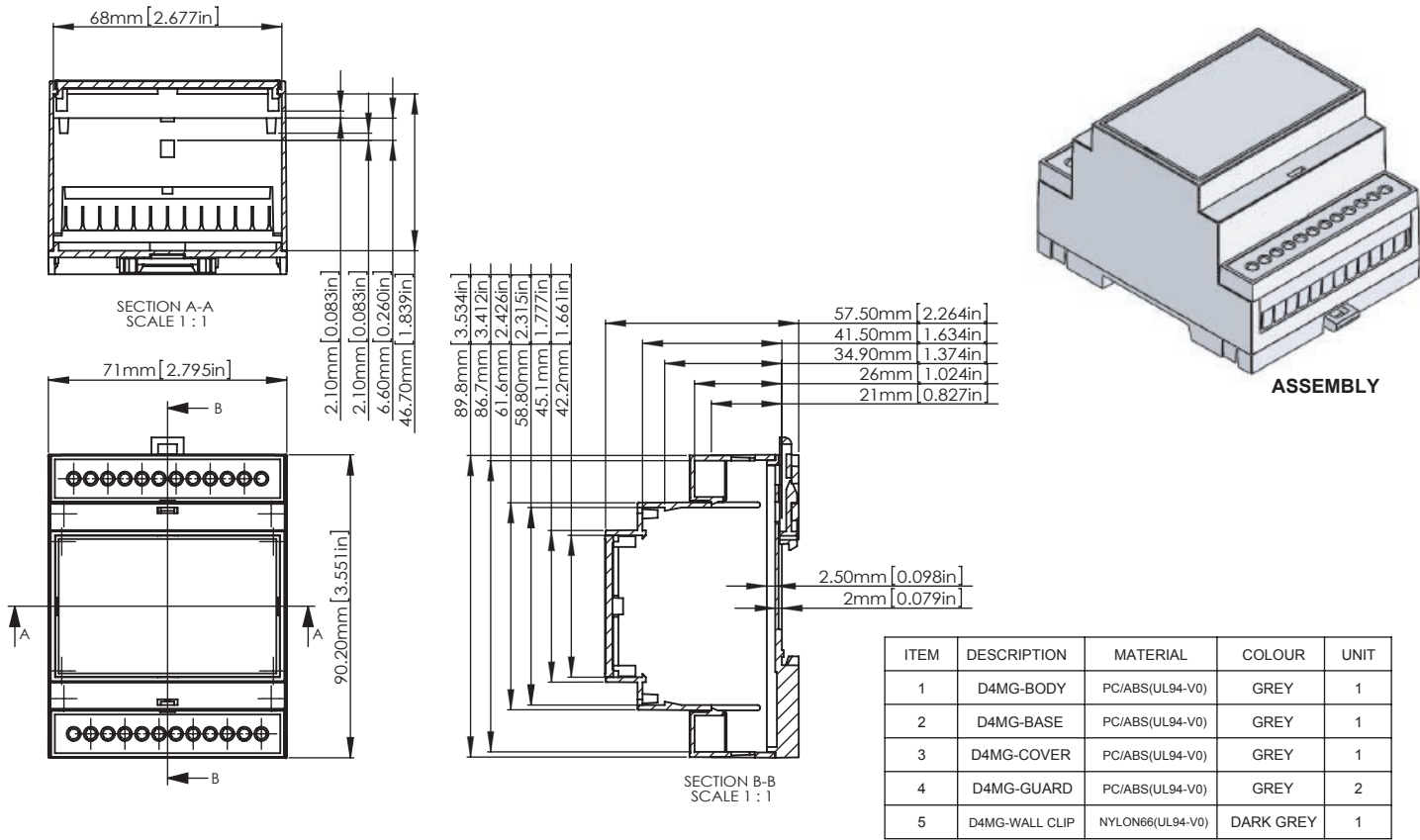
## D3MG-BASE



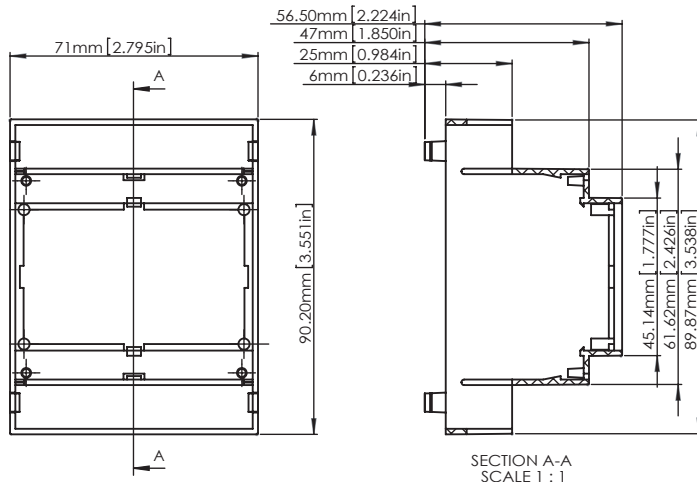
## D3MG-WALL CLIP



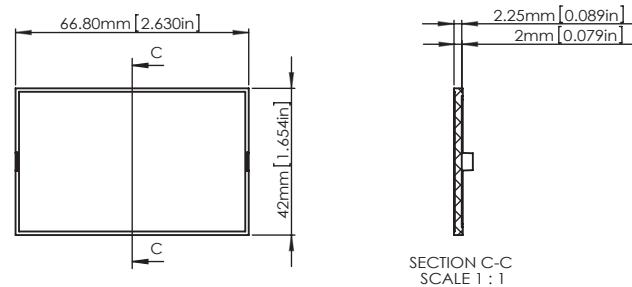
# D4MG



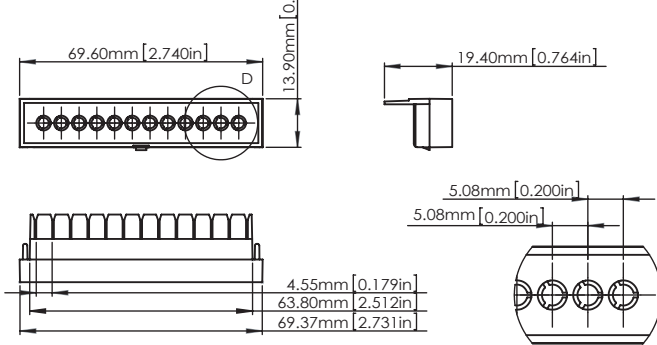
## D4MG-BODY



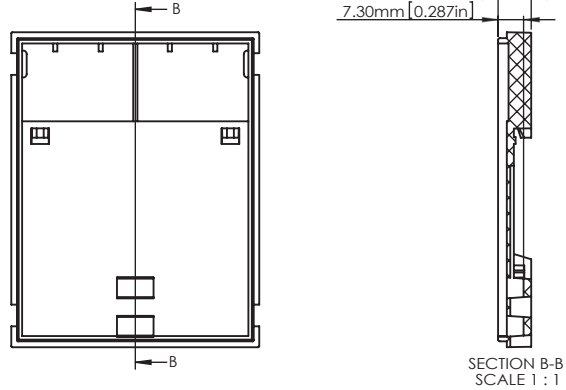
## D4MG-COVER



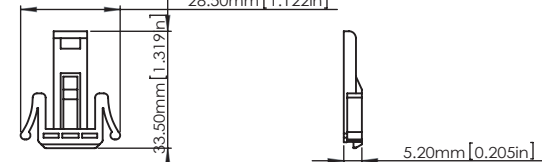
## D4MG-GUARD



## D4MG-BASE

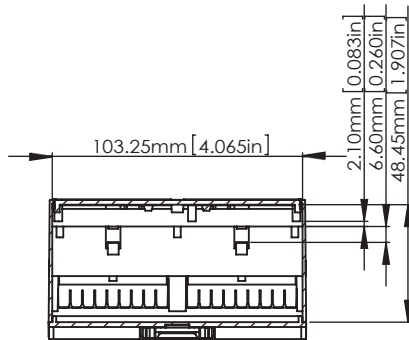


## D4MG-WALL CLIP

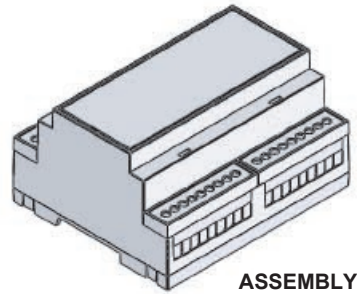




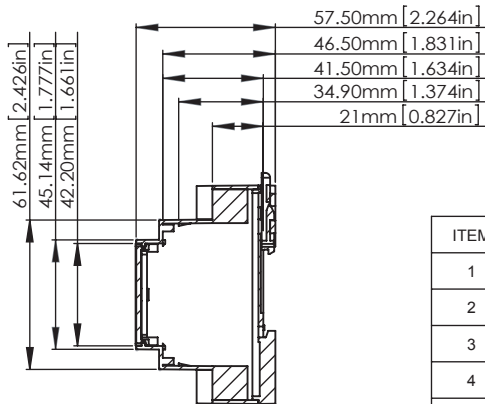
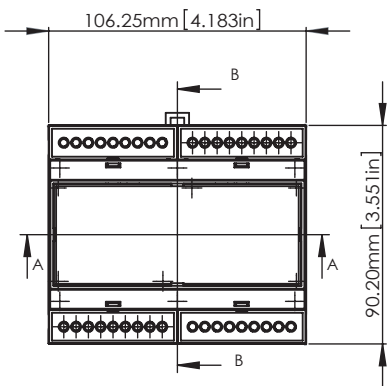
**D6MG**



SECTION A-A  
SCALE 2 : 3



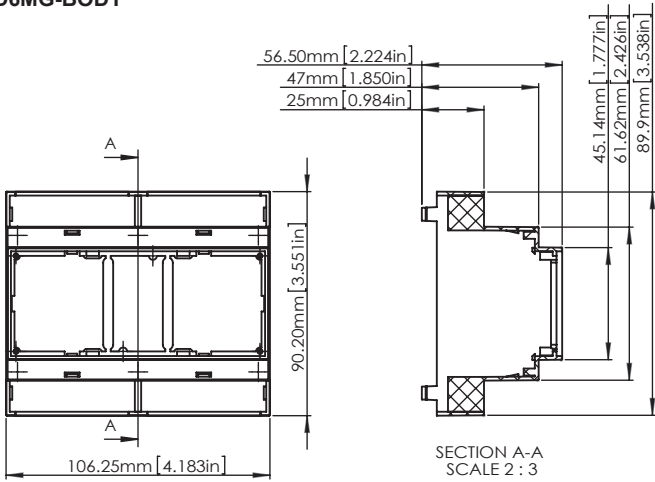
**ASSEMBLY**



SECTION B-B  
SCALE 2 : 3

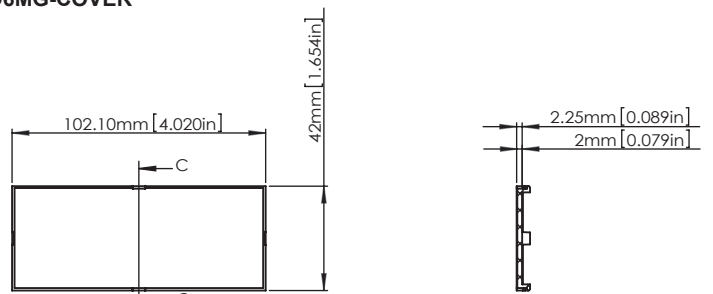
ITEM	DESCRIPTION	MATERIAL	COLOUR	UNIT
1	D6MG-BODY	PC/ABS(UL94-V0)	GREY	1
2	D6MG-BASE	PC/ABS(UL94-V0)	GREY	1
3	D6MG-COVER	PC/ABS(UL94-V0)	GREY	1
4	D6MG-GUARD	PC/ABS(UL94-V0)	GREY	4
5	D6MG-WALL CLIP	NYLON66(UL94-V0)	DARK GREY	1

**D6MG-BODY**



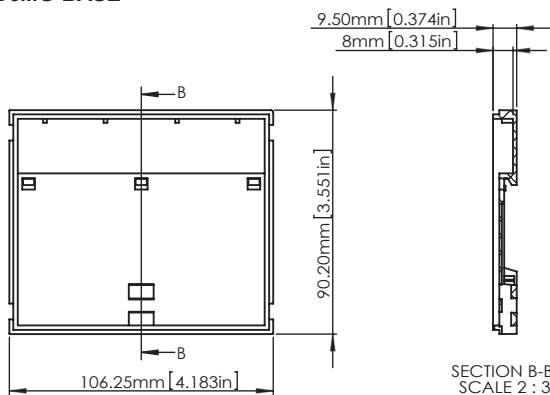
SECTION A-A  
SCALE 2 : 3

**D6MG-COVER**



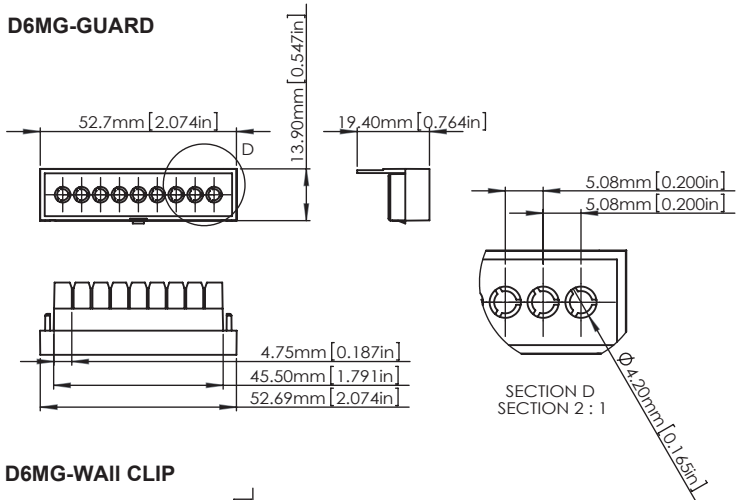
SECTION C-C  
SCALE 2 : 3

**D6MG-BASE**



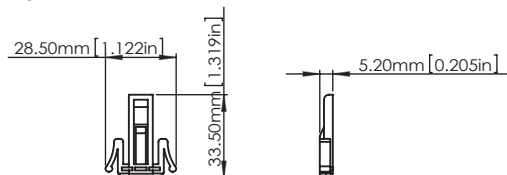
SECTION B-B  
SCALE 2 : 3

**D6MG-GUARD**

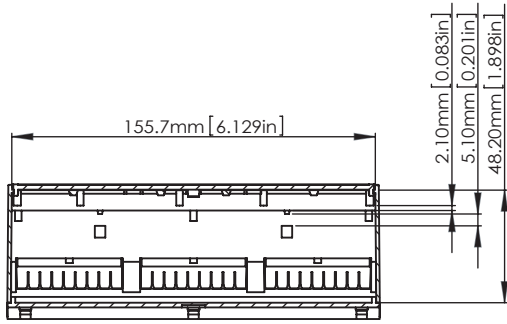


SECTION D  
SECTION 2 : 1

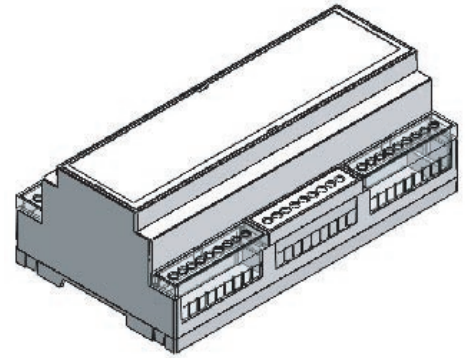
**D6MG-WALL CLIP**



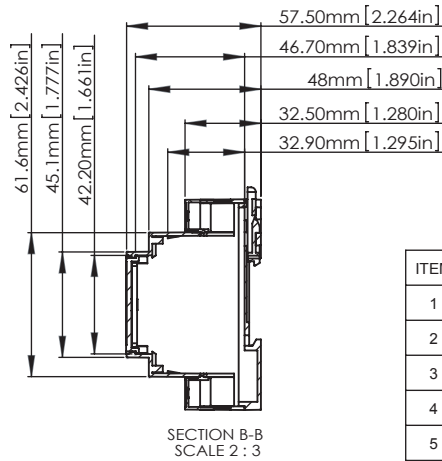
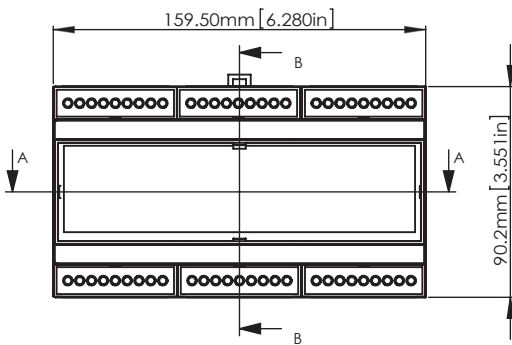
# D9MG



SECTION A-A  
SCALE 2 : 3



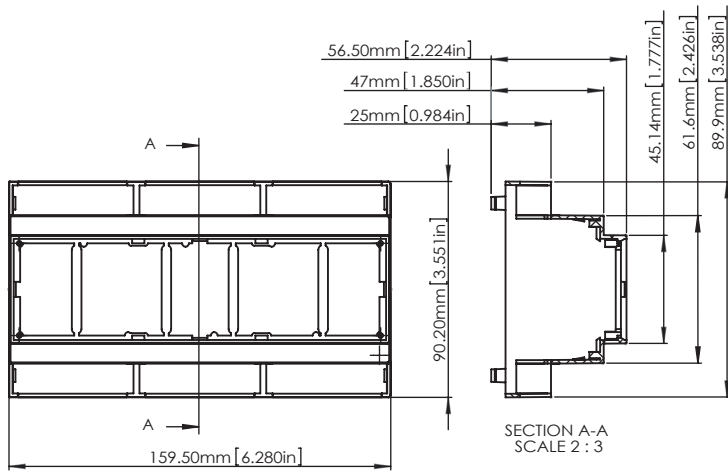
ASSEMBLY



SECTION B-B  
SCALE 2 : 3

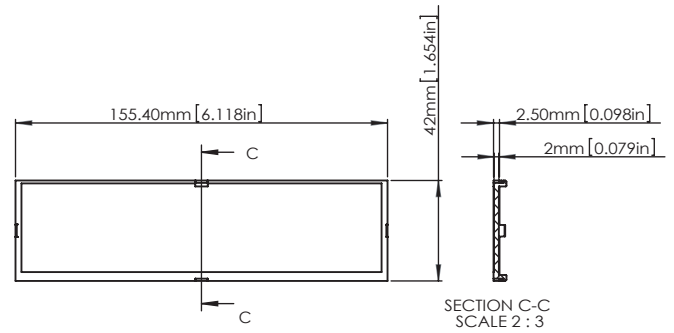
ITEM	DESCRIPTION	MATERIAL	COLOUR	UNIT
1	D9MG-BODY	PC/ABS(UL94-V0)	GREY	1
2	D9MG-BASE	PC/ABS(UL94-V0)	GREY	1
3	D9MG-COVER	PC/ABS(UL94-V0)	GREY	1
4	D9MG-GUARD	PC/ABS(UL94-V0)	GREY	6
5	D9MG-WALL CLIP	NYLON66(UL94-V0)	DARK GREY	1

## D9MG-BODY



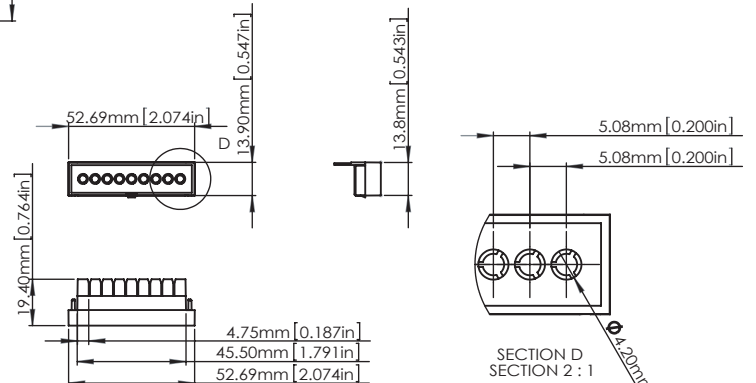
SECTION A-A  
SCALE 2 : 3

## D9MG-COVER



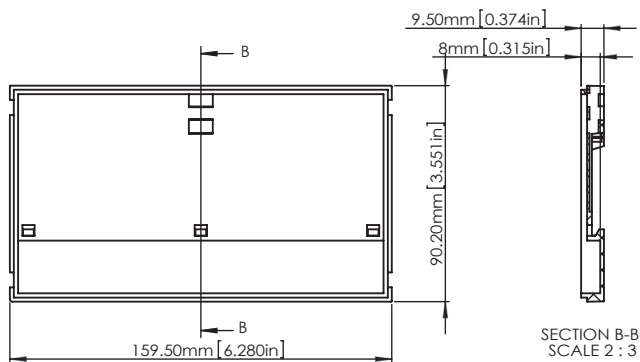
SECTION C-C  
SCALE 2 : 3

## D9MG-GUARD



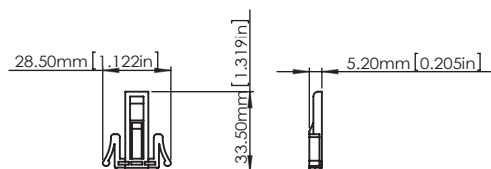
SECTION D  
SECTION 2 : 1

## D9MG-BASE



SECTION B-B  
SCALE 2 : 3

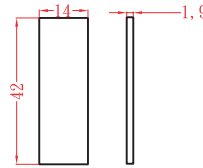
## D9MG-WALL CLIP



# SNAP-IN COVER (for DIN Rail Module Box)

## D1MG-COVER

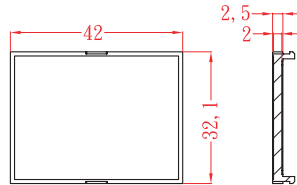
ITEM NO	DESCRIPTION	MATERIAL
D1MG COVER-GY	GREY COVER FOR D1MG DIN-BOX USE	PC/ABS (UL94-V0)
D1MG COVER-IR	RED TRANSPARENT COVER FOR D1MG DIN-BOX USE	PC (UL94-V0)
D1MG COVER-C	CLEAR COVER FOR D1MG DIN-BOX USE	PC (UL94-V0)



ACCORDING TO ISO 2768-m	
Measuring DIM. =L	Tolerance
0.5 < L ≤ 3.0 mm	±0.1 mm
3.0 < L ≤ 6.0 mm	±0.1 mm
6.0 < L ≤ 30.0 mm	±0.2 mm
30.0 < L ≤ 120.0 mm	±0.3 mm
120.0 < L ≤ 400.0 mm	±0.5 mm
400.0 < L ≤ 1000.0 mm	±0.8 mm

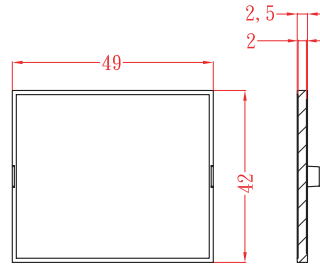
## D2MG-COVER

ITEM NO	DESCRIPTION	MATERIAL
D2MG COVER-GY	GREY COVER FOR D2MG DIN-BOX USE	PC/ABS (UL94-V0)
D2MG COVER-IR	RED TRANSPARENT COVER FOR D2MG DIN-BOX USE	PC (UL94-V0)
D2MG COVER-C	CLEAR COVER FOR D2MG DIN-BOX USE	PC (UL94-V0)



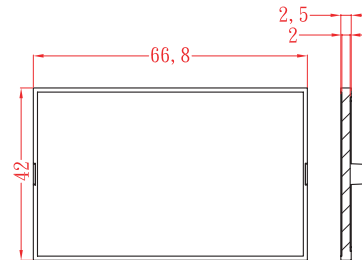
## D3MG-COVER

ITEM NO	DESCRIPTION	MATERIAL
D3MG COVER-GY	GREY COVER FOR D3MG DIN-BOX USE	PC/ABS (UL94-V0)
D3MG COVER-IR	RED TRANSPARENT COVER FOR D3MG DIN-BOX USE	PC (UL94-V0)
D3MG COVER-C	CLEAR COVER FOR D3MG DIN-BOX USE	PC (UL94-V0)



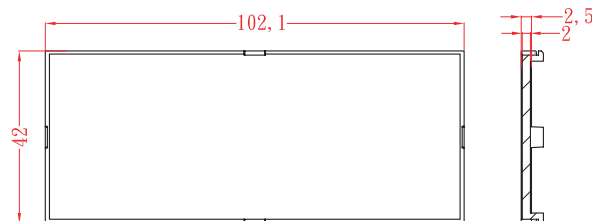
## D4MG-COVER

ITEM NO	DESCRIPTION	MATERIAL
D4MG COVER-GY	GREY COVER FOR D4MG DIN-BOX USE	PC/ABS (UL94-V0)
D4MG COVER-IR	RED TRANSPARENT COVER FOR D4MG DIN-BOX USE	PC (UL94-V0)
D4MG COVER-C	CLEAR COVER FOR D4MG DIN-BOX USE	PC (UL94-V0)



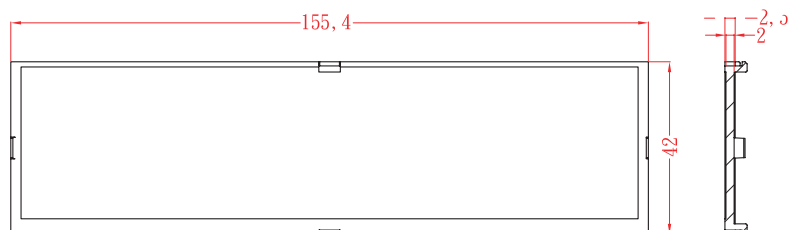
## D6MG-COVER

ITEM NO	DESCRIPTION	MATERIAL
D6MG COVER-GY	GREY COVER FOR D6MG DIN-BOX USE	PC/ABS (UL94-V0)
D6MG COVER-IR	RED TRANSPARENT COVER FOR D6MG DIN-BOX USE	PC (UL94-V0)
D6MG COVER-C	CLEAR COVER FOR D6MG DIN-BOX USE	PC (UL94-V0)

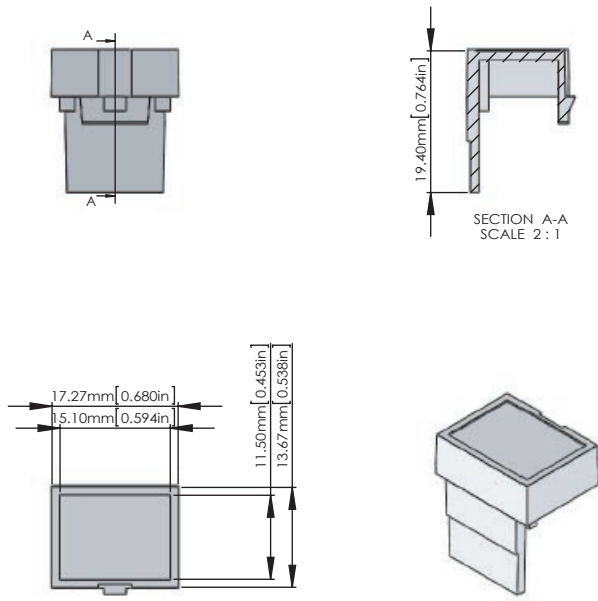


## D9MG-COVER

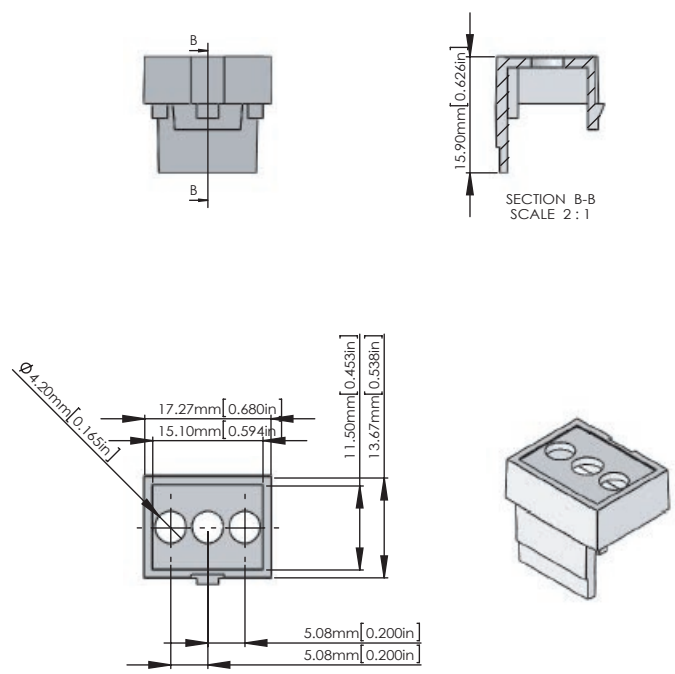
ITEM NO	DESCRIPTION	MATERIAL
D9MG COVER-GY	GREY COVER FOR D9MG DIN-BOX USE	PC/ABS (UL94-V0)
D9MG COVER-IR	RED TRANSPARENT COVER FOR D9MG DIN-BOX USE	PC (UL94-V0)
D9MG COVER-C	CLEAR COVER FOR D9MG DIN-BOX USE	PC (UL94-V0)



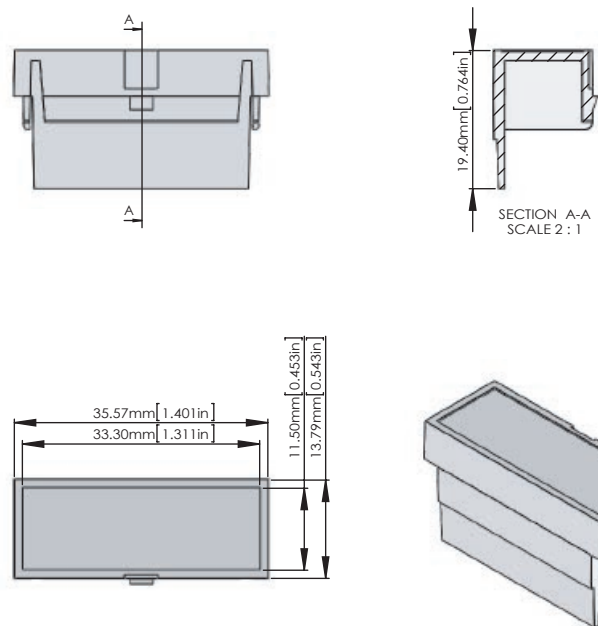
### D1MG-GUARD-NO



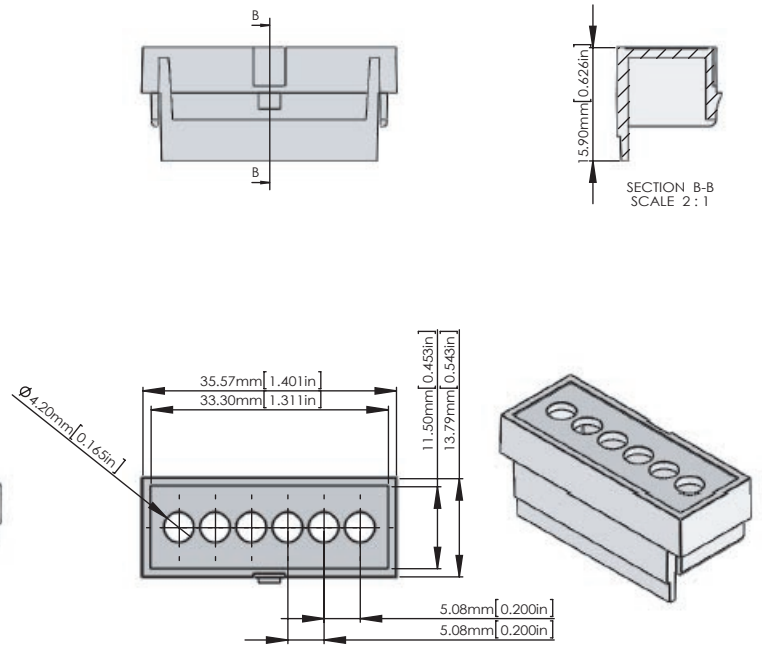
### D1MG-GUARD-HH



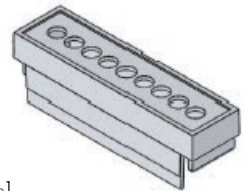
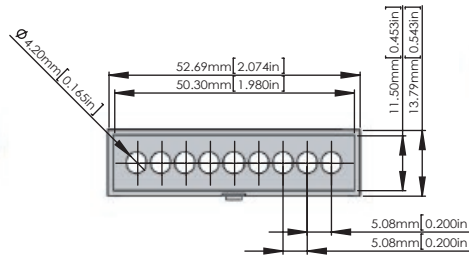
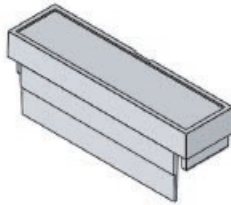
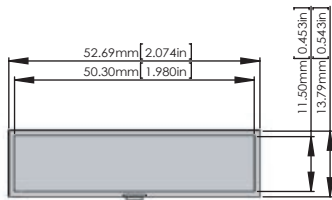
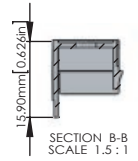
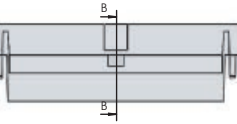
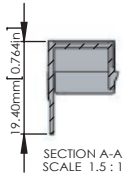
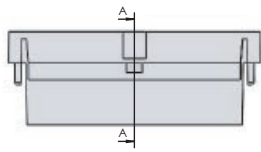
### D2MG-GUARD-NO



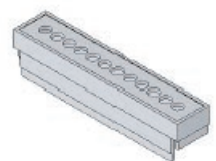
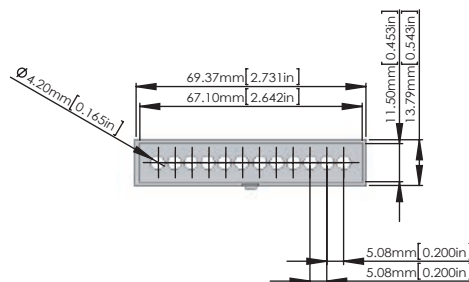
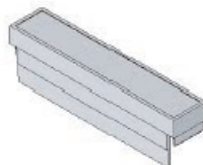
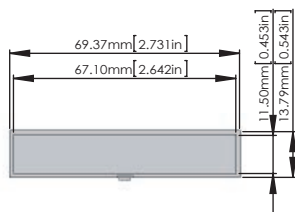
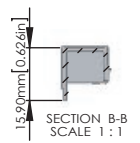
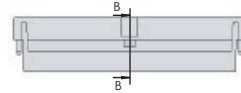
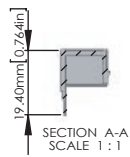
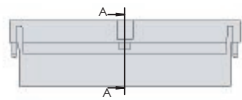
### D2MG-GUARD-HH



**D3MG/D6MG/D9MG-GUARD-NO**

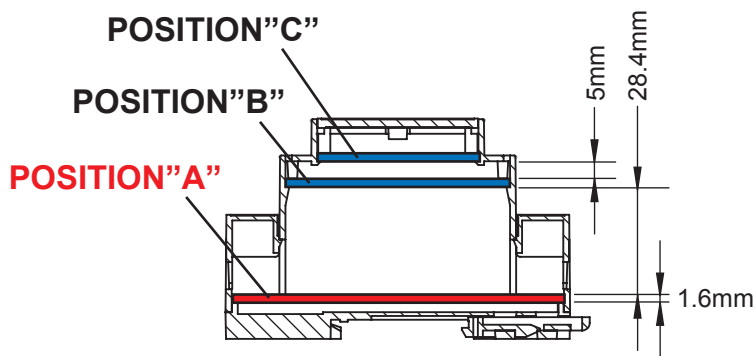


**D4MG-GUARD-NO**

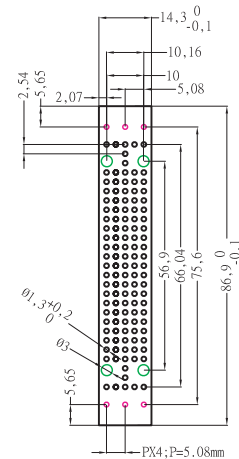


# RECOMMENDED CIRCUIT BOARD LAYOUT

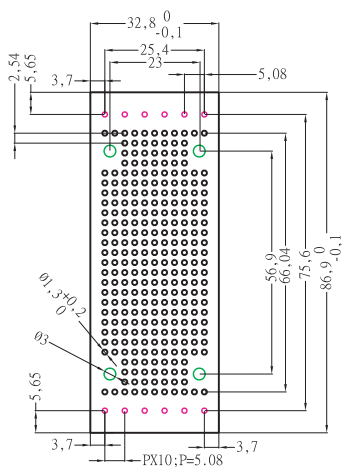
## PCB position "A"



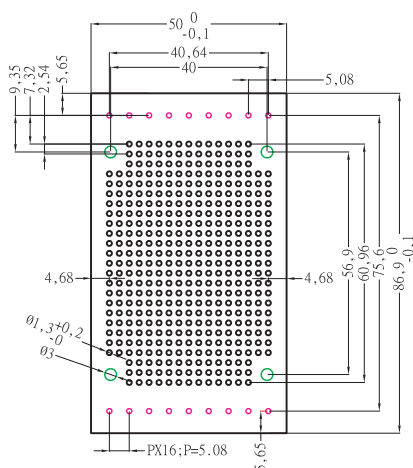
D1MG-PCB-A



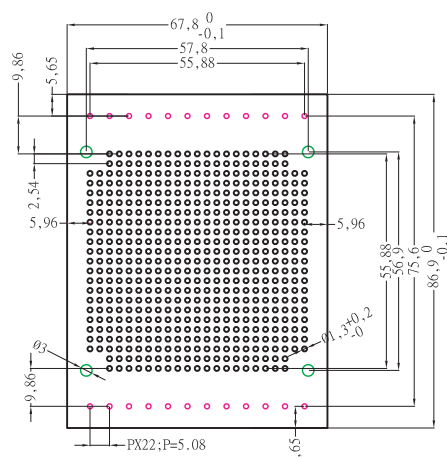
D2MG-PCB-A



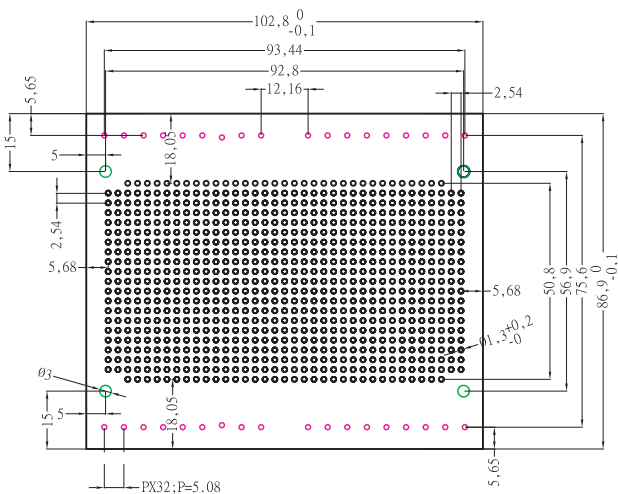
D3MG-PCB-A



D4MG-PCB-A



D6MG-PCB-A



D9MG-PCB-A

