



**FEATURES:**

- RoHS compliant
- 24 Pin DIP Package
- Low profile metal package
- High efficiency up to 85%
- Operating temperature -40°C to + 85°C
- Input / Output isolation 1500 or 3500VDC
- Pin compatible with multiple manufacturers
- Continuous short circuit protection



**Models**  
**Single output**

Model	Input Voltage (V)	Output Voltage (V)	Output Current max (mA)	Capacitive load, max (µF)	Efficiency (%)
AM4T-1203SZ	9-18	3.3	1200	3300	72
AM4T-1205SZ	9-18	5	800	1000	78
AM4T-1207SZ	9-18	7.2	550	470	78
AM4T-1209SZ	9-18	9	440	4700	78
AM4T-1212SZ	9-18	12	330	220	80
AM4T-1215SZ	9-18	15	260	100	80
AM4T-1218SZ	9-18	18	220	47	80
AM4T-1224SZ	9-18	24	160	47	80
AM4T-2403SZ	18-36	3.3	1200	2200	75
AM4T-2405SZ	18-36	5	800	1000	80
AM4T-2407SZ	18-36	7.2	550	470	80
AM4T-2409SZ	18-36	9	440	470	80
AM4T-2412SZ	18-36	12	330	220	83
AM4T-2415SZ	18-36	15	260	220	80
AM4T-2418SZ	18-36	18	220	100	80
AM4T-2424SZ	18-36	24	160	100	85
AM4T-4803SZ	36-72	3.3	1200	2200	75
AM4T-4805SZ	36-72	5	800	680	80
AM4T-4807SZ	36-72	7.2	550	470	80
AM4T-4809SZ	36-72	9	440	470	82
AM4T-4812SZ	36-72	12	330	330	80
AM4T-4815SZ	36-72	15	260	100	81
AM4T-4818SZ	36-72	18	220	47	81
AM4T-4824SZ	36-72	24	160	47	82
AM4T-1203SH35Z	9-18	3.3	1200	3300	72
AM4T-1205SH35Z	9-18	5	800	1000	78
AM4T-1207SH35Z	9-18	7.2	550	470	78
AM4T-1209SH35Z	9-18	9	440	4700	78
AM4T-1212SH35Z	9-18	12	330	220	80
AM4T-1215SH35Z	9-18	15	260	100	80
AM4T-1218SH35Z	9-18	18	220	47	80
AM4T-1224SH35Z	9-18	24	160	47	80
AM4T-2403SH35Z	18-36	3.3	1200	2200	75
AM4T-2405SH35Z	18-36	5	800	1000	80
AM4T-2407SH35Z	18-36	7.2	550	470	80
AM4T-2409SH35Z	18-36	9	440	470	80
AM4T-2412SH35Z	18-36	12	330	220	83
AM4T-2415SH35Z	18-36	15	260	220	80
AM4T-2418SH35Z	18-36	18	220	100	80
AM4T-4803SH35Z	36-72	3.3	1200	2200	75
AM4T-4805SH35Z	36-72	5	800	680	80
AM4T-4807SH35Z	36-72	7.2	550	470	80
AM4T-4809SH35Z	36-72	9	440	470	82
AM4T-4812SH35Z	36-72	12	330	330	80
AM4T-4818SH35Z	36-72	18	220	47	81
AM4T-4824SH35Z	36-72	24	160	47	82

**Models**  
**Dual output**

Model	Input Voltage (V)	Output Voltage (V)	Output Current max (mA)	Capacitive load, max (µF)	Efficiency (%)
AM4T-1203DZ	9-18	±3.3	±600	±680	73
AM4T-1205DZ	9-18	±5	±400	±470	78
AM4T-1207DZ	9-18	±7.2	±270	±220	80
AM4T-1209DZ	9-18	±9	±220	±220	80
AM4T-1212DZ	9-18	±12	±160	±100	80
AM4T-1215DZ	9-18	±15	±130	±47	80
AM4T-1218DZ	9-18	±18	±110	±22	76
AM4T-1224DZ	9-18	±24	±80	±22	79
AM4T-2403DZ	18-36	±3.3	±600	±680	73
AM4T-2405DZ	18-36	±5	±400	±470	79
AM4T-2407DZ	18-36	±7.2	±270	±220	80
AM4T-2409DZ	18-36	±9	±220	±220	80
AM4T-2412DZ	18-36	±12	±160	±100	82
AM4T-2415DZ	18-36	±15	±130	±47	80
AM4T-2418DZ	18-36	±18	±110	±22	80
AM4T-2424DZ	18-36	±24	±80	±22	78
AM4T-4803DZ	36-72	±3.3	±600	±680	72
AM4T-4805DZ	36-72	±5	±400	±470	78
AM4T-4807DZ	36-72	±7.2	±270	±220	78
AM4T-4809DZ	36-72	±9	±220	±220	78
AM4T-4812DZ	36-72	±12	±160	±100	80
AM4T-4815DZ	36-72	±15	±130	±47	80
AM4T-4818DZ	36-72	±18	±110	±22	80
AM4T-4824DZ	36-72	±24	±80	±22	80
AM4T-1203DH35Z	9-18	±3.3	±600	±680	73
AM4T-1205DH35Z	9-18	±5	±400	±470	78
AM4T-1207DH35Z	9-18	±7.2	±270	±220	80
AM4T-1209DH35Z	9-18	±9	±220	±220	80
AM4T-1212DH35Z	9-18	±12	±160	±100	80
AM4T-1215DH35Z	9-18	±15	±130	±47	80
AM4T-1218DH35Z	9-18	±18	±110	±22	76
AM4T-1224DH35Z	9-18	±24	±80	±22	79
AM4T-2403DH35Z	18-36	±3.3	±600	±680	73
AM4T-2405DH35Z	18-36	±5	±400	±470	79
AM4T-2407DH35Z	18-36	±7.2	±270	±220	80
AM4T-2409DH35Z	18-36	±9	±220	±220	80
AM4T-2412DH35Z	18-36	±12	±160	±100	82
AM4T-2415DH35Z	18-36	±15	±130	±47	80
AM4T-2418DH35Z	18-36	±18	±110	±22	80
AM4T-2424DH35Z	36-72	±24	±80	±22	79
AM4T-4803DH35Z	36-72	±3.3	±600	±680	73
AM4T-4805DH35Z	36-72	±5	±400	±470	79
AM4T-4807DH35Z	36-72	±7.2	±270	±220	80
AM4T-4809DH35Z	36-72	±9	±220	±220	80
AM4T-4812DH35Z	36-72	±12	±160	±100	82
AM4T-4815DH35Z	36-72	±15	±130	±47	80
AM4T-4818DH35Z	36-72	±18	±110	±22	80
AM4T-4824DH35Z	36-72	±24	±80	±22	79

**Input Specifications**

Parameters	Nominal	Typical	Maximum	Units
Voltage range	12	9-18		VDC
	24	18-36		
	48	36-72		
Filter	π (Pi) Network			
Turn on Transient process time			350	ms

### Input Specifications (continued)

Parameters	Nominal	Typical	Maximum	Units
Voltage range	12	9-18		VDC
	24	18-36		
	48	36-72		
Filter	π (Pi) Network			
Turn on Transient process time			350	ms
Start up time		500		ms
Absolute Maximum Rating	12 Vin	-0.7-24		VDC
	24 Vin	-0.7-40		
	48 Vin	-0.7-80		
Peak Input Voltage time		100		ms

### Isolation Specifications

Parameters	Conditions	Typical	Maximum	Units
Tested I/O voltage	3 sec	1500 or 3500		VDC
Resistance		> 1000		MOhm
Capacitance		470		pF

### Output Specifications

Parameters	Conditions	Typical	Maximum	Units
Voltage accuracy		±1		%
Voltage balance	Balanced Load	±1		%
Short circuit protection		Continuous		
Short circuit restart		Auto Recovery		
Over current protection		120% Iout max		
Line voltage regulation (Single)		±0.5		%
Line voltage regulation (Dual)		±0.5		%
Load voltage regulation (Single)		±0.5		%
Load voltage regulation (Single) 3.3V output model		±1.5		%
Load voltage regulation (Dual)		±0.5		%
Load voltage regulation (Dual) ±3.3V output model		±1.5		%
Temperature coefficient		±0.02		%/°C
Ripple & Noise	At 20MHz Bandwidth	60		mV p-p
Rising time		10		ms

### General Specifications

Parameters	Conditions	Typical	Maximum	Units
Switching frequency	100% load	266		KHz
Operating temperature	Full Load without Derating		-40 to +85	°C
Storage temperature			-40 to +125	°C
Max Case temperature			100	°C
Cooling		Free air convection		
Humidity			90	%
Case material		Nickel coated copper		
Weight		17		g
Dimensions(L x W x H)	Tolerance ±0.5 mm or ±0.02 inches	1.28 x 0.84 x 0.41 inches	32.25 x 21.35 x 10.50 mm	
MTBF		>1 121 000 hrs (MIL-HDBK -217F, Ground Benign, t=+25°C)		

NOTE: All specifications in this datasheet are measured at an ambient temperature of 25°C, humidity<75%, nominal input voltage and at rated output load unless otherwise specified.

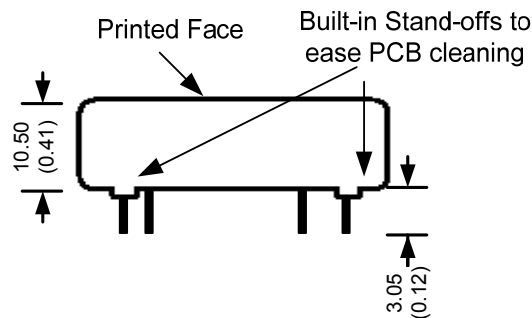
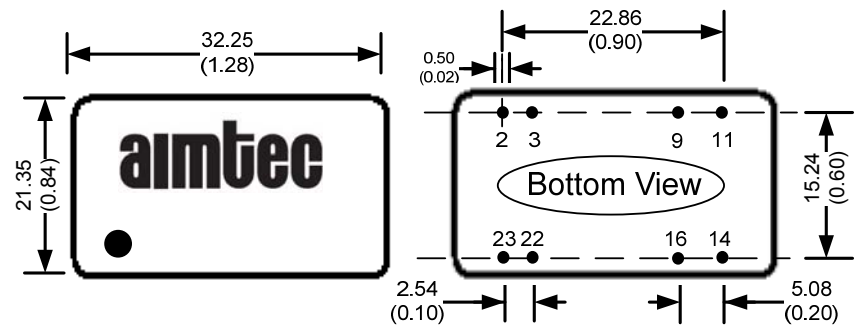
## Safety Specifications

Parameters	
Agency Approval	CE
Standards	EN55022 Class A, EN55024
	IEC61000-4-2, Perf. Criteria B
	IEC61000-4-3, Perf. Criteria A
	IEC61000-4-4, Perf. Criteria B (external 220uF/100V cap required)
	IEC61000-4-5, Perf. Criteria B (external 220uF/100V cap required)
	IEC61000-4-6, Perf. Criteria A
	IEC61000-4-8, Perf. Criteria A
Note: also designed to meet IEC 60950-1:2001	

## Pin Out Specifications

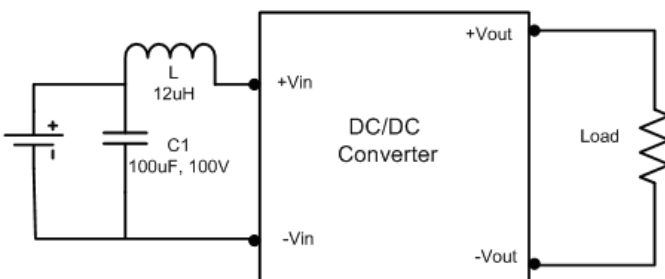
Pin	1500 and 3500VDC	
	Single	Dual
2	-V Input	-V Input
3	-V Input	-V Input
9	No pin	Common
11	N.C.	-V Output
14	+V Output	+V Output
16	-V Output	Common
22	+V Input	+V Input
23	+V Input	+V Input

## Dimensions

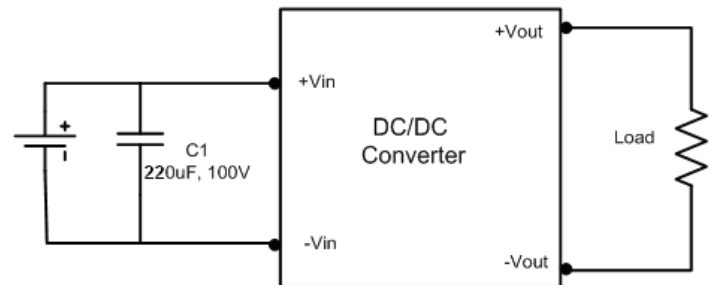


## Test Circuits

### Conducted Emissions:



### Surge:



**NOTE:** 1. Datasheets are updated as needed and as such, specifications are subject to change without notice. Once printed or downloaded, datasheets are no longer controlled by Aimtec; refer to [www.aimtec.com](http://www.aimtec.com) for the most current product specifications. 2. Product labels shown, including safety agency certifications on labels, may vary based on the date manufactured. 3. Mechanical drawings and specifications are for reference only. 4. Aimtec may not have conducted destructive testing or chemical analysis on all internal components and chemicals at the time of publishing this document. CAS numbers and other limited information are considered proprietary and may not be available for release. 5. This product is not designed for use in critical life support systems, equipment used in hazardous environments, nuclear control systems or other such applications which necessitate specific safety and regulatory standards other the ones listed in this datasheet.