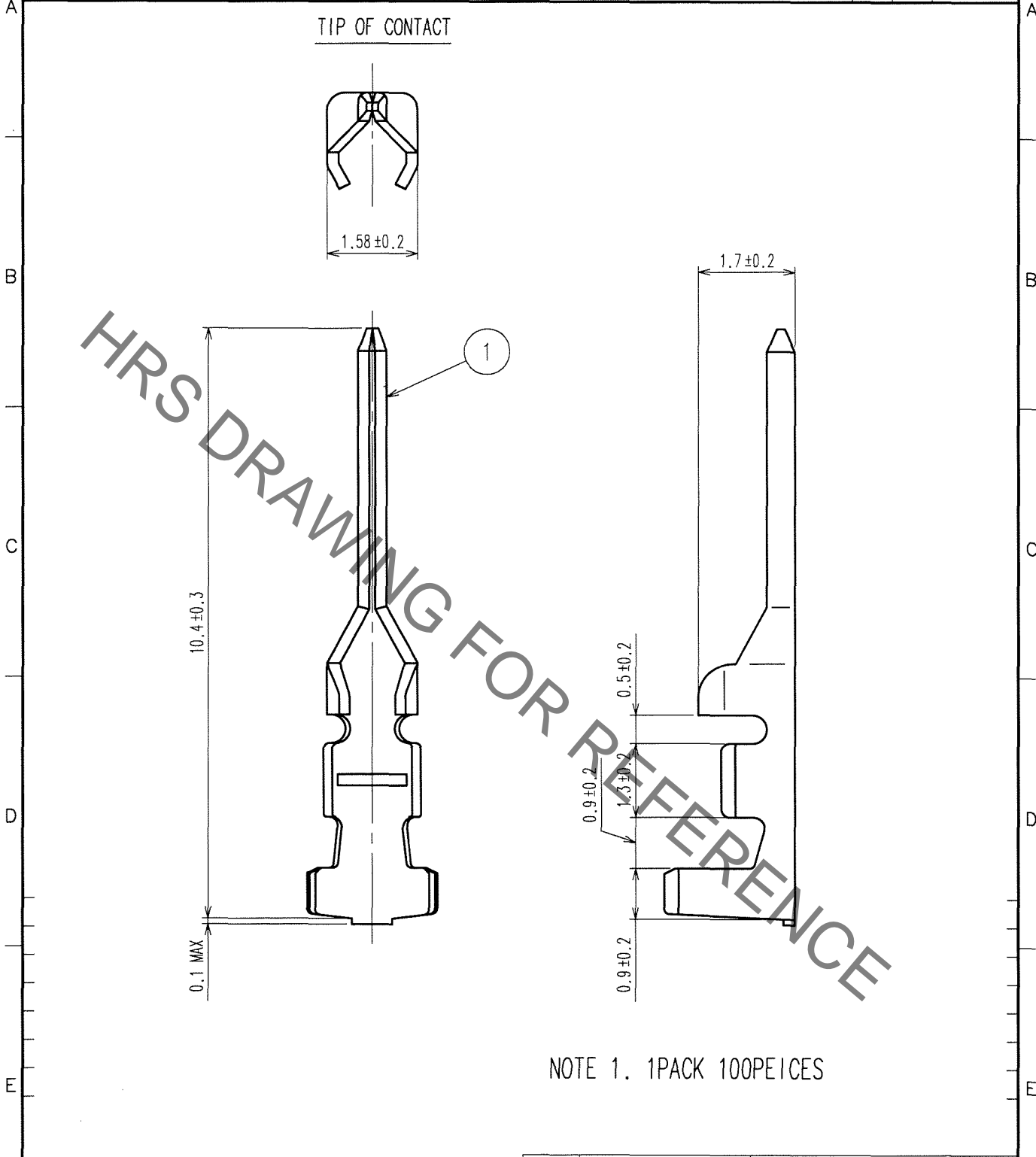


Jan.1.2021 Copyright 2021 HIROSE ELECTRIC CO., LTD. All Rights Reserved.
In case of consideration for using Automotive equipment / device which demand high reliability, kindly contact our sales window correspondents.

1			2			3			4					
COUNT	DESCRIPTION OF REVISIONS	BY	CHKD	DATE	COUNT	DESCRIPTION OF REVISIONS	BY	CHKD	DATE	COUNT	DESCRIPTION OF REVISIONS	BY	CHKD	DATE
△					△					△				
△					△					△				
△					△					△				



NOTE 1. 1PACK 100PEICES

1	PHOSPHOR BRONZE	TIN PLATED 1μ m min
---	-----------------	---------------------

NO.	MATERIAL	FINISH, REMARKS	NO.	MATERIAL	FINISH, REMARKS
CODE NO. (OLD)					
			DRAWN	DESIGNED	CHECKED
			A.MIYAZAKI	A.MIYAZAKI	H. Umehara
			'06.08.03	'06.08.03	J. Oma
					06.08.05
					06.08.07

TO □ □ □		DRAWING NO.	PART NO.
	SCALE	EDC4-081374-01	DF11-EP2428PC
	10 : 1		
UNITS	HRS	HIROSE ELECTRIC CO.,LTD.	CODE NO.
mm			CL543-0616-7

1/1