

Features

- NTSC, PAL, and SECAM sync separation
- Single supply, +5V operation
- Precision 50% slicing
- Built-in programmable color burst filter
- Decodes non-standard vertical
- Horizontal sync output
- Sync. pulse amplitude output
- Same socket can be used for 8-pin EL4581C
- Low-power CMOS
- Detects loss of signal
- Resistor programmable scan rate
- Few external components
- Available in 16-pin PDIP and 16-pin SO (0.150") packages

Applications

- Video special effects
- Video test equipment
- Video distribution
- Multimedia
- Displays
- Imaging
- Video data capture
- Video triggers

Ordering Information

Part No	Package	Tape & Reel	Outline #
EL4583CN	16-Pin PDIP	-	MDP0031
EL4583CS	16-Pin SO (0.150")	-	MDP0027
EL4583CS-T7	16-Pin SO (0.150")	7"	MDP0027
EL4583CS-T13	16-Pin SO (0.150")	13"	MDP0027

General Description

The EL4583C extracts timing from video sync in NTSC, PAL, and SECAM systems, and non standard formats, or from computer graphics operating at higher scan rates. Timing adjustment is via an external resistor. Input without valid vertical interval (no serration pulses) produces a default vertical output.

Outputs are: composite sync, vertical sync, filter, burst/back porch, horizontal, no signal detect, level, and odd/even output (in interlaced scan formats only).

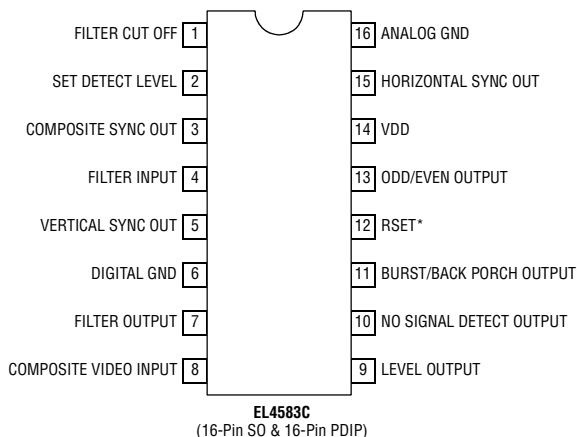
The EL4583C sync slice level is set to the mid-point between sync tip and the blanking level. This 50% point is determined by two internal sample and hold circuits that track sync tip and back porch levels. It provides hum and noise rejection and compensates for input levels of 0.5V to 2.0V_{p.p.}

A built in filter attenuates the chroma signal to prevent color burst from disturbing the 50% sync slice. Cut off frequency is set by a resistor to ground from the Filter Cut Off pin. Additionally, the filter can be by-passed and video signal fed directly to the Video Input.

The level output pin provides a signal with twice the sync amplitude which may be used to control an external AGC function. A TTL/CMOS compatible No Signal Detect Output flags a loss or reduction in input signal level. A resistor sets the Set Detect Level.

The EL4583C is manufactured using Elantec's high performance analog CMOS process.

Connection Diagram



*Note: RSET must be a 1% register

EL4583C

Sync Separator, 50% Slice, S-H, Filter, HOUT

EL4583C

Absolute Maximum Ratings (T_A = 25°C)

V _{CC} Supply	7V	Operating Temperature Range	-40°C to +85°C
Storage Temperature	-65°C to +150°C	Power Dissipation	See Curves
Pin Voltages	-0.5V to V _{CC} +0.5V	Die Junction Temperature	150°C

Important Note:

All parameters having Min/Max specifications are guaranteed. Typ values are for information purposes only. Unless otherwise noted, all tests are at the specified temperature and are pulsed tests, therefore: T_J = T_C = T_A.

DC Electrical Characteristics

V_{DD} = 5V, T_A = 25°C, R_{SET} = 681kΩ, R_F = 22kΩ, R_{LV} = 82kΩ

Parameter	Description	Min	Typ	Max	Unit
I _{DD}	V _{DD} = 5V ^[1]		2.5	4	mA
Clamp Voltage	Pins 4, 8, unloaded	1.3	1.55	1.8	V
Discharge Current	Pins 4, 8, with Signal (V _{IN} = 2V)	3	6	12	μA
Discharge Current	Pins 4, 8, no Signal ^[2]		10		μA
Clamp Charge Current	Pins 4, 8, V _{IN} = 1V	2	3	4	mA
Ref. Voltage V _{REF}	Pin 12, V _{DD} = 5V ^[3]	1.5	1.75	2	V
Filter Reference Voltage, V _{RF}	Pin 1	0.35	0.5	0.65	V
Level Reference Current	Pin 2 ^[4]	1.5	2.5	3.5	μA
V _{OL} Output Low Voltage	I _{OL} = 1.6mA		350	800	mV
V _{OH} Output High Voltage	I _{OH} = -40μA	4			V
	I _{OH} = -1.6mA	2.4	4		V

1. No video signal, outputs unloaded
2. At loss of signal (pin 10 high) the pull down current source switches to a value of 10μA
3. Tested for V_{DD} 5V ±5%
4. Current sourced from pin 2 is V_{REF}/R_{SET}

Dynamic Characteristics

R_F = 22kΩ, R_{SET} = 681kΩ, V_{DD} = 5V, Video Input = 1V_{p-p}, T_A = 25°C, C_L = 15pF, I_{OH} = -1.6mA, I_{OL} = 1.6mA

Parameter	Description	Min	Typ	Max	Unit
Horizontal Pulse Width, Pin 15, t _H	[1]	3.8	5	6.2	μs
Vertical Sync Width, Pin 5, t _{VS}	[2]		195		μs
Burst/Back Porch Width, Pin 11, t _B	[1]	2.7	3.7	4.7	μs
Filter Attenuation	F _{IN} = 3.6MHz ^[3]		12		dB
Comp. Sync Prop. Delay, t _{CS}	V _{IN} (Pin 4)—Comp Sync		250	400	ns
Input Dynamic Range	p-p NTSC Signal	0.4		2	V
Slice Level	Input Voltage = 1V _{p-p}	40	50	60	%
	V _{SLICE} /V _{BLANK}	40	50	60	
Level Out, Pin 9	Input Voltage = 1V _{p-p} , Pin 4	500	600	700	mV
Vertical Sync Default Time, t _{VSD}	[4]	27	36	57	μs
Loss of Signal Time-Out	Pin 10	400	600	800	μs
Burst/Back Porch Delay, t _{BD}	See Figure 4		250	400	ns

1. Width is a function of R_{SET}
2. c/s, Vertical, Back porch and H are all active low, V_{OH} = 0.8V; vertical is 3H lines wide of NTSC signal
3. Attenuation is a function of R_F. See filter typical characteristics
4. Vertical pulse width in absence of serrations on input signal

Pin Descriptions

Pin Number	Pin Name	Pin Function
1	Filter Cut-Off	A resistor RF connected between this input and ground determines the input filter characteristic. Increasing RF increases the filter 3.58MHz color burst attenuation. See the typical performance characteristics.
2	Set Detect Level	A resistor RLV connected between pin 2 and ground determines the value of the minimum signal which triggers the loss of signal output on pin 10. The relationship is $V_{pMIN} = 0.75RLV/RSET$, where V_{pMIN} is the minimum detected sync pulse amplitude applied to pin 4. See the typical performance characteristics.
3	Composite Sync Output	This output replicates all the sync inputs on the input video.
4	Filter Input	The filter is a 3 pole active filter with a gain of 2, designed to produce a constant phase delay of nominally 260ns with signal amplitude. Resistor RF on pin 1 controls the filter cut-off. An internal clamp sets the minimum voltage on pin 4 at 1.55V when the input becomes low impedance. Above the clamp voltage, an input current of 1 μ A charges the input coupling capacitor. With loss of signal, the current source switches to a value of 10 μ A, for faster signal recovery.
5	Vertical Sync Output	The vertical sync output is synchronous with the first serration pulse rising edge in the vertical interval of the input signal and ends on the trailing edge of the first equalizing Output pulse after the vertical interval. It will therefore be slightly more than 3H lines wide.
6	Digital Ground	This is the ground return for digital buffer outputs.
7	Filter Output	Output of the active 3 pole filter which has its input on pin 4. It is recommended to ac couple the output to pin 8.
8	Video Input	This input can be directly driven by the signal if it is desired to bypass the filter, for example, in the case of strong clean signals. This input is 6dB less sensitive than the filter input.
9	Level Output	This pin provides an analog voltage which is nominally equal to twice the sync pulse amplitude of the video input signal applied to pin 4. It therefore provides an indication of signal strength.
10	No Signal Detect Output	This is a digital output which goes high when either a) loss of input signal or b) the input signal level falls below a predetermined amplitude as set by RLV on pin 2. There will be several horizontal lines delay before the output is initiated.
11	Burst/Back Porch Output	The start of back porch output is triggered on the trailing edge of normal H sync, and on the rising edge of serration pulses in the vertical interval. The pulse is timed out internally to produce a one-shot output. The pulse width is a function of RSET. This output can be used for d.c. restore functions where the back porch level is a known reference.
12	RSET	The current through the resistor RSET determines the timing of the functions within the I.C. These functions include the sampling of the sync pulse 50% point, back porch output and the 2H eliminator. For faster scan rates, the resistor needs to be reduced inversely. For NTSC 15.7kHz scan rate RSET is 681k 1%. RSET must be a 1% resistor.
13	Odd/Even Output	Odd-even output is low for even field and high for odd field. The operation of this circuit has been improved for rejecting spurious noise pulses such as those present in VCR signals.
14	V _{DD} 5V	The internal circuits are designed to have a high immunity to supply variations, although as with most I.C.s a 0.1 μ F decoupling capacitor is advisable.
15	Horizontal Sync Output	This output produces only true H pulses of nominal width 5 μ s. The leading edge is triggered from the leading edge of the input H sync, with the same prop. delay as the composite sync. The half line pulses present in the input signal during vertical blanking are eliminated with an internal 2H eliminator circuit.
16	Analog Ground	This is the ground return for the signal paths in the chips, RSET, RF and RLV.

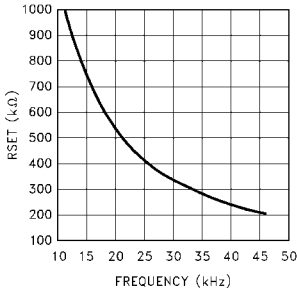
EL4583C

Sync Separator, 50% Slice, S-H, Filter, HOUT

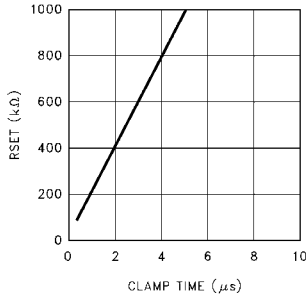
EL4583C

Typical Performance Curves

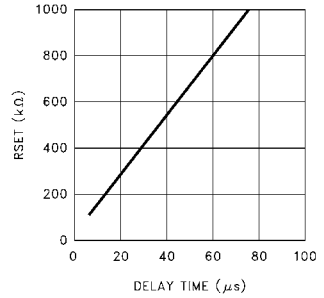
RSET vs Horizontal Frequency



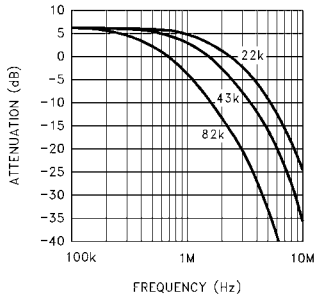
Back Porch Clamp On Time vs RSET



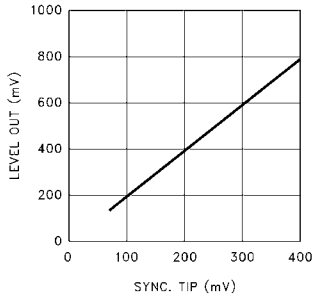
Vertical Default Delay Time vs RSET



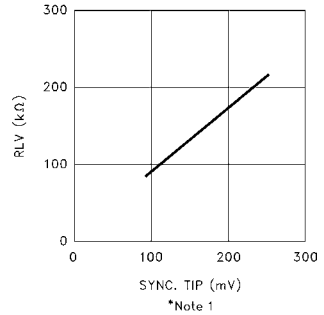
Filter 3dB BW vs RF



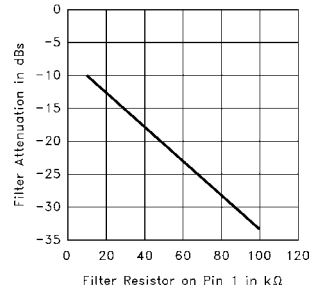
Level Out (Pin 9) vs Sync. Tip Amplitude



Minimum Signal Detect vs RLV

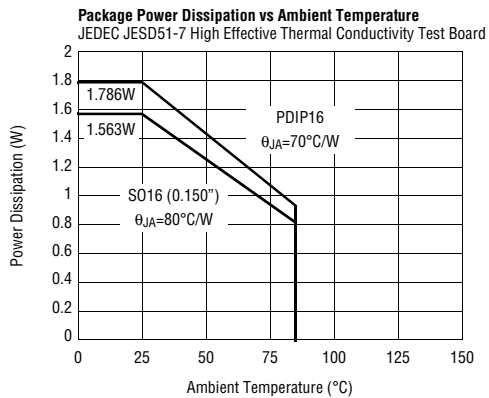
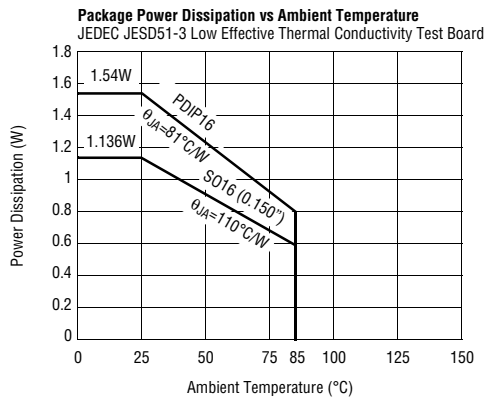


Filter Attenuation vs RF @ f = 3.58MHz



Note 1: For RLV < 1000kΩ, no signal detect output (pin 10) will default high at minimum signal sensitivity specification, or at complete loss of signal.

Typical Performance Curves

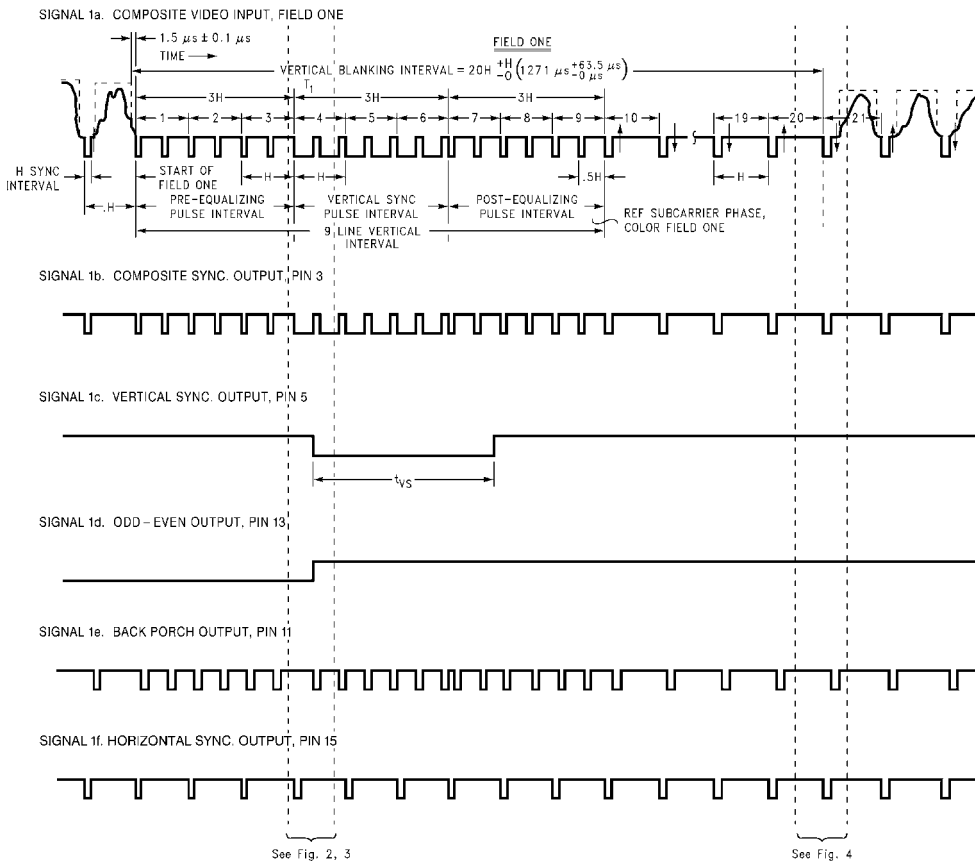


EL4583C

Sync Separator, 50% Slice, S-H, Filter, HOUT

EL4583C

Timing Diagram



Notes:

- The composite sync output reproduces all the video input sync pulses, with a propagation delay.
- Vertical sync leading edge is coincident with the first vertical serration pulse leading edge, with a propagation delay.
- Odd-even output is low for even field, and high for odd field.
- Back porch goes low for a fixed pulse width on the trailing edge of video input sync pulses. Note that for serration pulses during vertical, the back porch starts on the rising edge of the serration pulse (with propagation delay).
- Horizontal sync output produces the true "H" pulses of nominal width of 5μs. It has the same delay as the composite sync.

Figure 1.

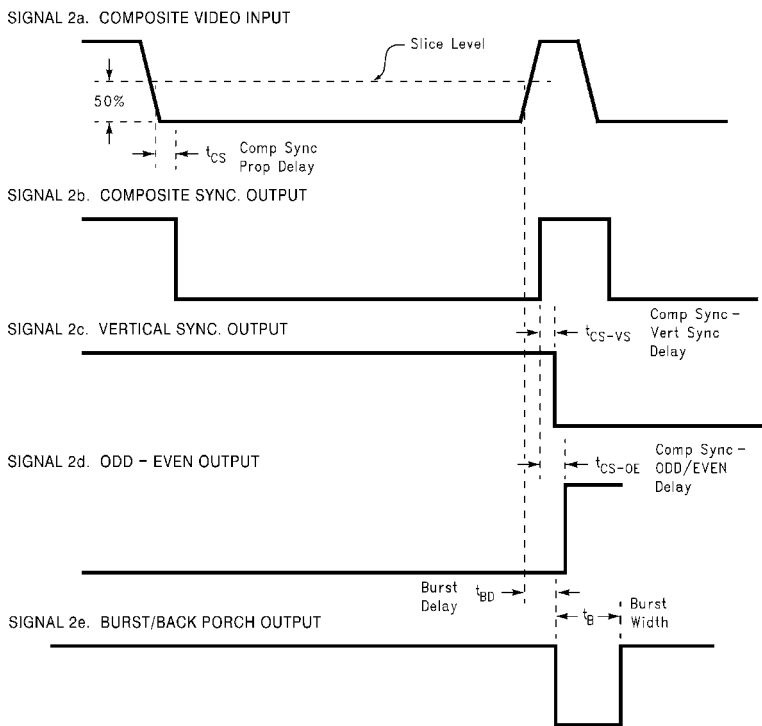


Figure 2.

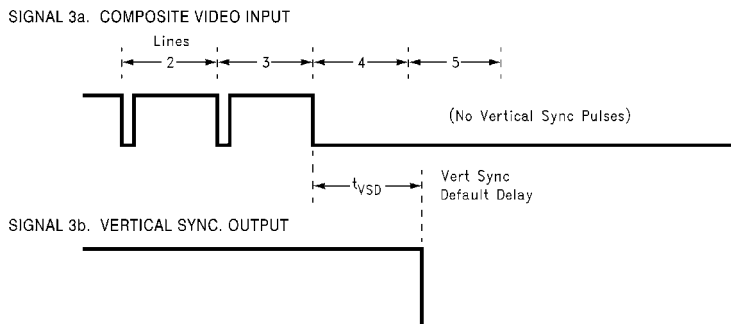


Figure 3.

EL4583C

Sync Separator, 50% Slice, S-H, Filter, HOUT

EL4583C

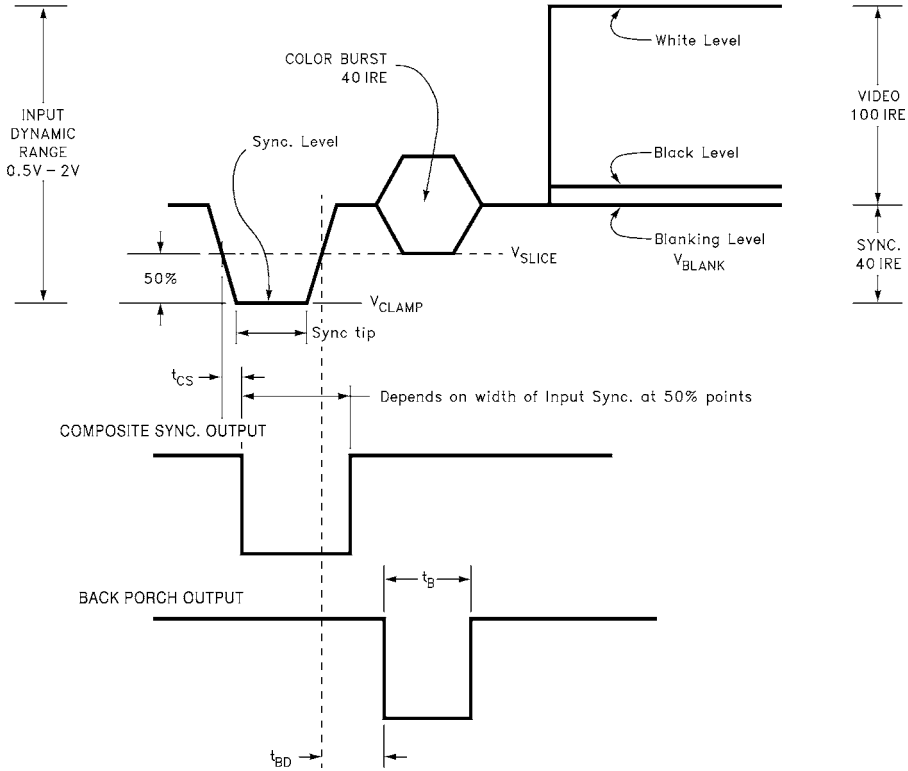


Figure 4. Standard (NTSC Input) H. Sync Detail

Description of Operation

A simplified block schematic is shown in Figure 1. The following description is intended to provide the user with sufficient information to understand the effects of the external components and signal conditions on the outputs of the integrated circuit.

The video signal is AC coupled to pin 4 via the capacitor C_1 , nominally $0.1\mu\text{F}$. The clamp circuit A1 will prevent the input signal on pin 4 going more negative than 1.5V , the value of reference voltage V_{R1} . Thus the sync tip, the most negative part of the video waveform, will be clamped at 1.5V . The current source I_1 , nominally $6\mu\text{A}$, charges the coupling capacitor during the remaining portion of the H line, approximately $58\mu\text{s}$ for a 15.75kHz timebase. From $I \cdot t = C \cdot V$, the video time-constant can be calculated. It is important to note that the charge taken from the capacitor during video must be replaced during the sync tip time, which is much shorter, (ratio of $\times 12.5$). The corresponding current to restore the charge during sync will therefore be an order of magnitude higher, and any resistance in series with C_1 will cause sync tip crushing. For this reason, the internal series resistance has been minimized and external high resistance values in series with the input coupling capacitor should be avoided. The user can exercise some control over the value of the input time constant by introducing an external pull-up resistance from pin 4 to the 5V supply. The maximum voltage across the resistance will be V_{DD} less 1.5V , for black level. For a net discharge current greater than zero, the resistance should be greater than 450k . This will have the effect of increasing the time constant and reducing the degree of picture tilt. The current source I_1 directly tracks reference current I_{TR} and thus increases with scan rate adjustment, as explained later.

The signal is processed through an active 3 pole filter (F1) designed for minimum ripple with constant phase delay. The filter attenuates the color burst by 12dB and eliminates fast transient spikes without sync crushing. An external filter is not necessary. The filter also amplifies the video signal by 6dB to improve the detection accuracy. The filter cut-off frequency is controlled by an external resistor from pin 1 to ground.

Internal reference voltages (block V_{REF}) with high immunity to supply voltage variation are derived on the

chip. Reference V_{R4} with op-amp A2 forces pin 12 to a reference voltage of 1.7V nominal. Consequently, it can be seen that the external resistance RSET will determine the value of the reference current I_{TR} . The internal resistance R3 is only about $6\text{k}\Omega$, much less than RSET. All the internal timing functions on the chip are referenced to I_{TR} and have excellent supply voltage rejection.

To improve noise immunity, the output of the 3 pole filter is brought out to pin 7. It is recommended to AC couple the output to pin 8, the video input pin. In case of strong clean video signal, the video input pin, pin 8, can be driven by the signal directly.

Comparator C2 on the input to the sample and hold block (S/H) compares the leading and trailing edges of the sync. pulse with a threshold voltage V_{R2} which is referenced at a fixed level above the clamp voltage V_{R1} . The output of C2 initiates the timing one-shots for gating the sample and hold circuits. The sample of the sync tip is delayed by $0.8\mu\text{s}$ to enable the actual sample of $2\mu\text{s}$ to be taken on the optimum section of the sync. pulse tip. The acquisition time of the circuit is about three horizontal lines. The double poly CMOS technology enables long time constants to be achieved with small high quality on-chip capacitors. The back porch voltage is similarly derived from the trailing edge of sync, which also serves to cut off the tip sample if the gate time exceeds the tip period. Note that the sample and hold gating times will track RSET through I_{OT} .

The 50% level of the sync tip is derived through the resistor divider R1 and R2, from the sample and held voltages V_{TIP} and V_{BP} and applied to the plus input of comparator C1. This comparator has built in hysteresis to avoid false triggering. The output of C2 is a digital 5V signal which feeds the C/S output buffer B1, the vertical, back porch and odd/even functions.

The vertical circuit senses C/S edges and initiates an integrator which is reset by the shorter horizontal sync pulses but times out with the longer vertical sync. pulse widths. The internal timing circuits are referenced to I_{OT} and V_{R3} , the timeout period being inversely proportional to the timing current. The vertical output pulse is started on the first serration pulse in the vertical interval and is

EL4583C

Sync Separator, 50% Slice, S-H, Filter, HOUT

EL4583C

then self-timed out. In the absence of a serration pulse, an internal timer will default the start of vertical.

The Horizontal circuit senses C/S edges and produces the true horizontal pulses of nominal width $5\mu\text{s}$. The leading edge is triggered from the leading edge of the input H sync, with the same prop. delay as composite sync. The half line pulses present in the input signal during vertical blanking are removed with an internal 2H eliminator circuit. The 2H eliminator initiates a time out period after a horizontal pulse is generated. The time out period is a function of I_{OT} which is set by RSET.

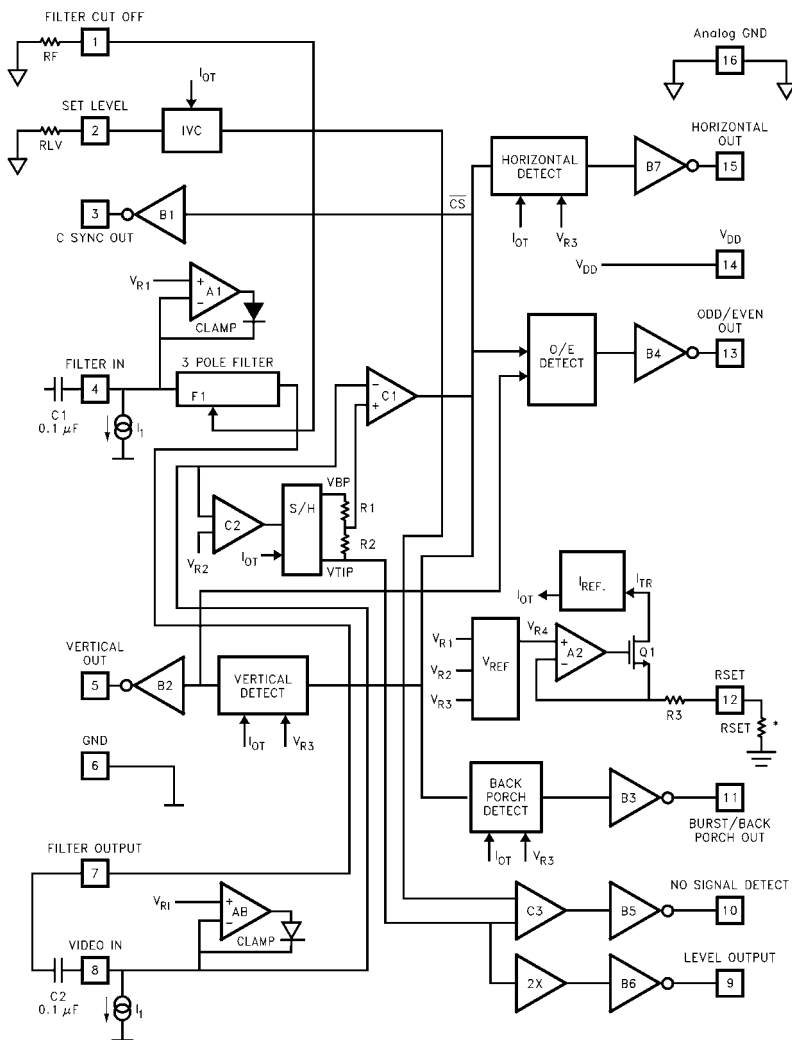
The back porch is triggered from the sync tip trailing edge and initiates a one-shot pulse. The period of this pulse is again a function of I_{OT} and will therefore track the scan rate set by RESET.

The odd/even circuit (O/E) tracks the relationship of the horizontal pulses to the leading edge of the vertical output and will switch on every field at the start of vertical. Pin 13 is high during an odd field.

Loss of video signal can be detected by monitoring the No Signal Detect Output pin 10. The VTIP voltage held by the sample and hold is compared with a voltage level set by RLV on pin 2. Pin 10 output goes high when the VTIP falls below RLV set value.

VTIP voltage is also passed through an amplifier with gain of 2 and buffed to pin 9. This provides an indication of signal strength. This signal (Level Output) can be used for AGC applications.

Block Diagram



* Note: RSET must be a 1% resistor

Figure 5. Standard (NTSC Input) H. Sync Detail

EL4583C

Sync Separator, 50% Slice, S-H, Filter, HOUT

EL4583C

Effective May 15, 2002, Elantec, a leader in high performance analog products, is now a part of Intersil Corporation.

All Intersil U.S. products are manufactured, assembled and tested utilizing ISO9000 quality systems.
Intersil Corporation's quality certifications can be viewed at www.intersil.com/design/quality

Intersil products are sold by description only. Intersil Corporation reserves the right to make changes in circuit design, software and/or specifications at any time without notice. Accordingly, the reader is cautioned to verify that data sheets are current before placing orders. Information furnished by Intersil is believed to be accurate and reliable. However, no responsibility is assumed by Intersil or its subsidiaries for its use; nor for any infringements of patents or other rights of third parties which may result from its use. No license is granted by implication or otherwise under any patent or patent rights of Intersil or its subsidiaries.

For information regarding Intersil Corporation and its products, see www.intersil.com



Sales Office Headquarters

NORTH AMERICA

Intersil Corporation
7585 Irvine Center Drive
Suite 100
Irvine, CA 92618
TEL: 949-341-7000
FAX: 949-341-7123

Elantec
675 Trade Zone Blvd.
Milpitas, CA 95035
TEL: 408-945-1323
800: 888-ELANTEC
FAX: 408-945-9305

EUROPE

Intersil Europe Sarl
Avenue William Fraisse 3
1006 Lausanne
Switzerland
TEL: +41-21-6140560
FAX: +41-21-6140579

ASIA

Intersil Corporation
Unit 1804 18/F Guangdong Water Bldg.
83 Austin Road
TST, Kowloon Hong Kong
TEL: +852-2723-6339
FAX: +852-2730-1433

August 15, 2002