

## SLIDE SWITCH FOR P.C.B. ESP-SPDT SERIES



**ESP10XX**



**ESP20XX**



**ESP30XX**



**ESP40XX**

### ■ FEATURES

- The distance of 2 adjacent pins or stacked devices is 2.54 mm pitch
- All plastics are UL 94V-0 grade fire retardant
- Low contact resistance and long mechanical life, suitable for signal switching and communication equipments
- RoHS Compliant

### ■ APPLICATIONS

- Measuring point changeover switches
- Service switch
- Controls for consumer devices

### ■ SPECIFICATIONS

#### 1. ELECTRICAL CHARACTERISTICS

● Contact rating	0.2A, 24VDC; 0.5A, 12VDC
● Minimum contact rating	1mA, 10mV
● Contact resistance	initial: 50mΩ Max.
	after life test: 100mΩ Max.
● Dielectric strength	2mA, 500VDC for 60sec.
● Capacitance	1.5pF Max.
● Insulation resistance	1000MΩ Min. at 100VDC
● Mechanical life	5000 operations

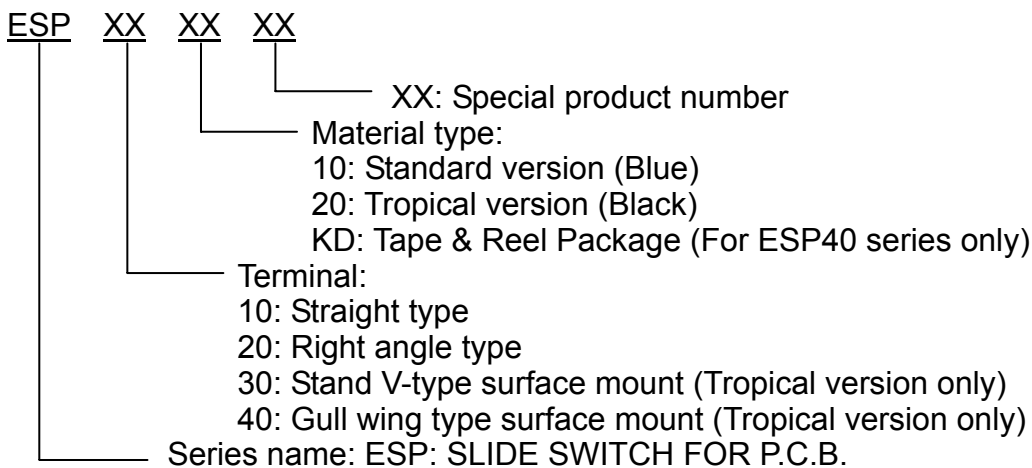


# Switch

## 2. GENERAL CHARACTERISTICS

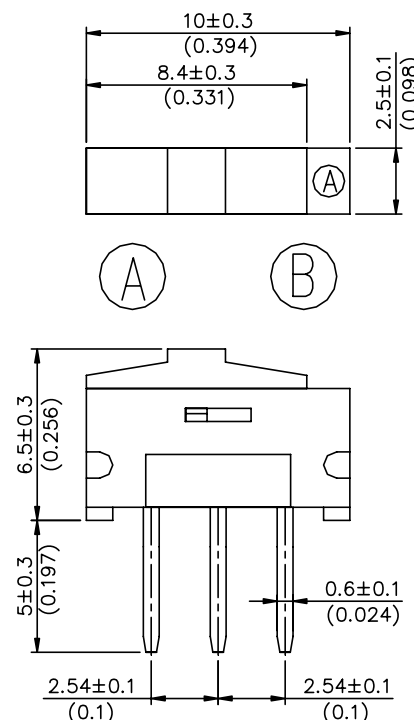
● Temperature range	operating	-40°C to +85°C
	storage	-40°C to +85°C
● Solder temperature		230°C for 3 sec.
● Vibration		10Hz-55Hz-10Hz for 6 Hrs.
● Salt spray		35°C, 5% for 24hours
● Reflow soldering heat for SMT type (reference only)		

## ■ PART NUMBERING SYSTEM

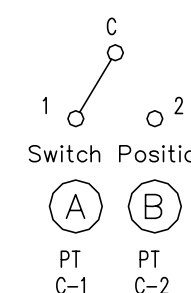


## ■ DIMENSIONS AND CIRCUITRY    UNIT:mm(inch)

### ESP10XX SERIES



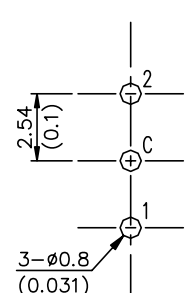
### CIRCUIT DIAGRAM



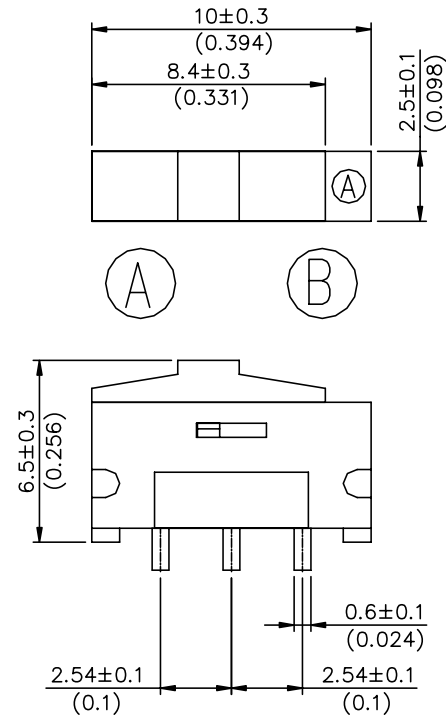
Switch Position

(A)	(B)
PT	PT
C-1	C-2

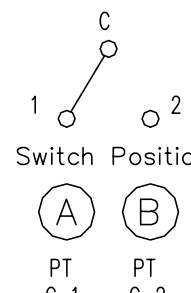
### P.C.B. LAYOUT



### ESP20XX SERIES



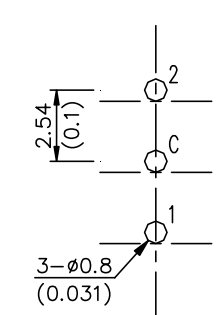
### CIRCUIT DIAGRAM



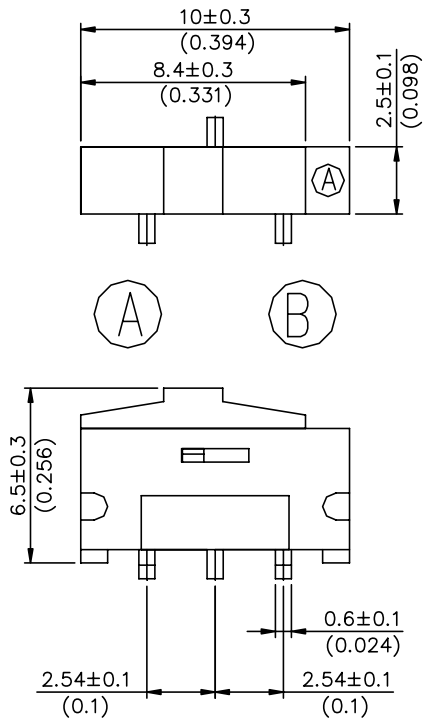
Switch Position

(A)	(B)
PT	PT
C-1	C-2

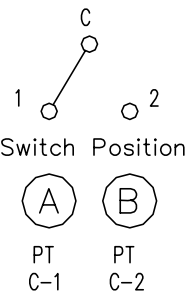
### P.C.B. LAYOUT



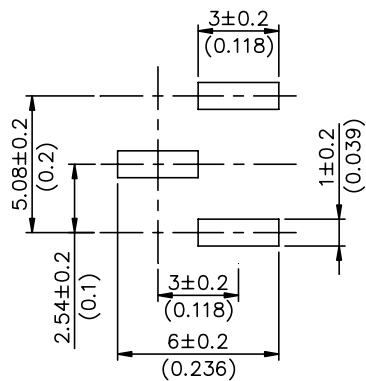
## ESP30XX SERIES



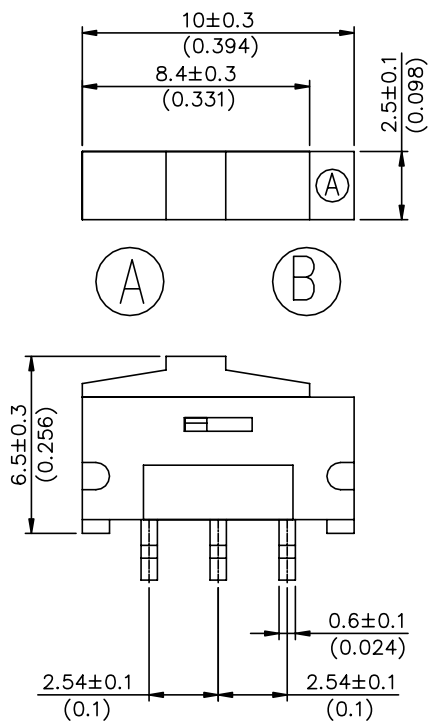
## CIRCUIT DIAGRAM



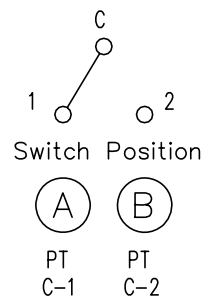
## P.C.B. LAYOUT



## ESP40XX SERIES



## CIRCUIT DIAGRAM



## P.C.B. LAYOUT

