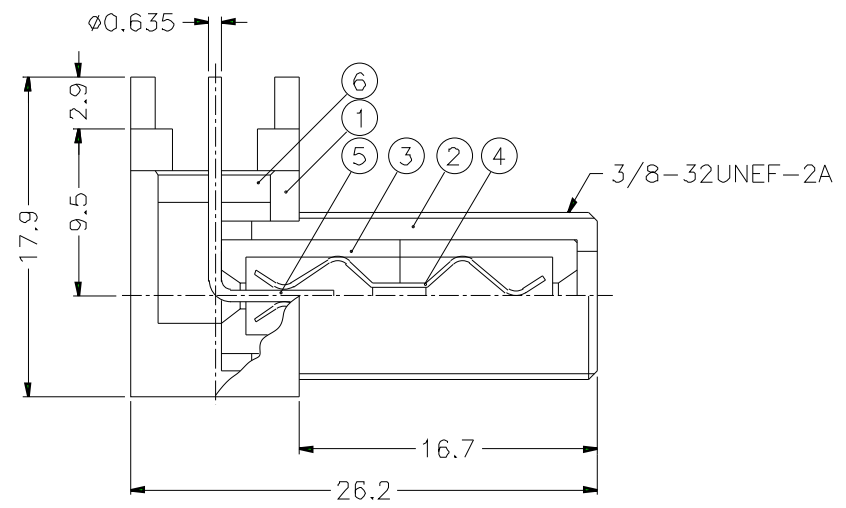
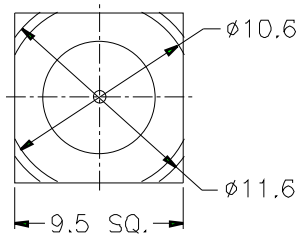


1			2			3			4			5			6			7			8		
REVISIONS																							
ISS	ZONE	DESCRIPTION\PER REQUEST\DATE																					



NOTES: FINISH (PLATING THICKNESS IN MICRO-INCHES)

- BRASS PER QQ-B-626
- BRASS PER QQ-B-613
- GOLD PL. 3 MIN. THICK OVER NICKEL PL. 100 MIN. THICK OVER COPPER STRIKE
- BRIGHT TIN PL. 200 MIN. THICK OVER NICKEL PL. 50 MIN. THICK OVER COPPER PL. 100 MIN. THICK
- TIN-LEAD (90/10) PL. 100 MIN. THICK OVER NICKEL PL. 50 MIN. THICK OVER COPPER PL. 100 MIN. THICK

DIMENSIONS ARE IN MILLIMETERS						PART NO. F6252A1-004-TD3G-75			<b>Amphenol</b>		
UNLESS OTHERWISE SPECIFIED TOLERANCES						APPROVED					
0.5-6 = ±0.2						CHECKED			DATE 10-11-01'		
6-30 = ±0.4						DRAWN			DATE 10-11-01'		
30-120 = ±0.6						FILE NO.			TITLE F R/A P.C. MOUNT JACK		
120-315 = ±1									DRAWING NO. KJ-F6252A1-004-TD3G-75		
315-1000 = ±1.6									ITEM NO.		
1000-2000 = ±2.4											

6	INSULATOR	DELRIN	NATURAL	1	F7790-7
5	CONTACT PIN	NOTE 1	NOTE 3	1	222131-5
4	CONTACT PIN	NOTE 2	NOTE 4	1	F7790-34-PPBT
3	INSULATOR	P.P	NATURAL	2	
2	BODY	NOTE 1	NOTE 5	1	222131-2
1	HOUSING	NOTE 1	NOTE 5	1	222131-1
NO.	DESCRIPTION	MATERIAL	FINISH	Q'TY	DRAWING NO.

1			2			3			4			5			6			7			8		
---	--	--	---	--	--	---	--	--	---	--	--	---	--	--	---	--	--	---	--	--	---	--	--