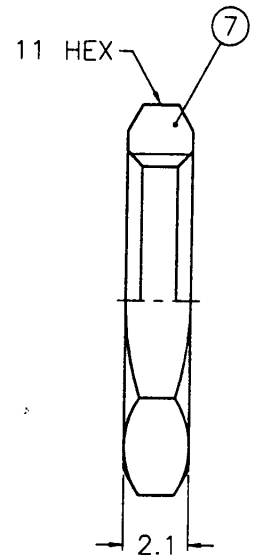
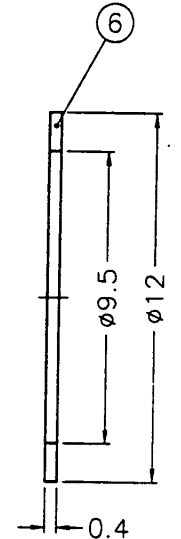
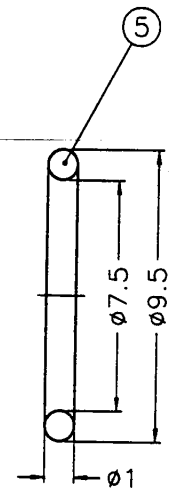
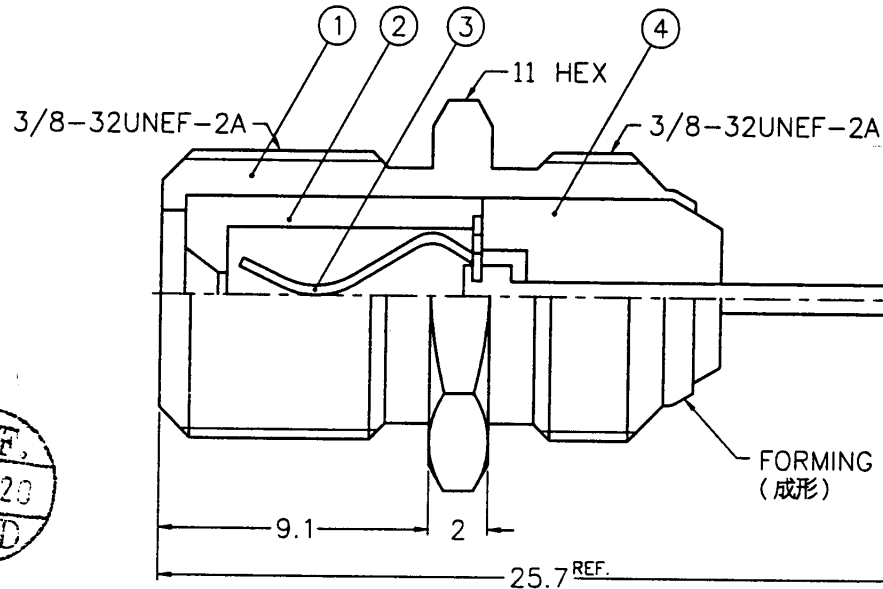


1 2 3 4 5 6 7 8

REVISIONS			
ISS	ZONE	DESCRIPTION\PER REQUEST\DATE	



NOTES: FINISH (PLATING THICKNESS IN MICRO-INCHES)
 1. BRASS PER QQ-B-626
 2. NICKEL PL. 100 MIN. THICK OVER COPPER STRIKE
 3. BRIGHT TIN PL. 80 MIN. THICK OVER COPPER PL. 100 MIN.
 4. BRASS PER QQ-B-613

1. MAX. PANEL THICKNESS=1.8mm

NO.	DESCRIPTION	MATERIAL	FINISH	Q'TY	DRAWING NO.
7	HEX NUT			1	HN11-3/8-32X21
6	WASHER			1	WS-12/95X04
5	GASKET	N.B.R.	BLACK	1	GS-95/75XD1
4	INSULATOR	DELTRIN	NATURAL	1	F7310-NPPT-G
3	CONTACT PIN			1	
2	INSULATOR	P.P.	WHITE	1	
1	BODY			1	

DIMENSIONS ARE IN MILLIMETERS				PART NO.	
UNLESS OTHERWISE SPECIFIED TOLERANCES 0.5-6 = ±0.2 6-30 = ±0.4 30-120 = ±0.6 120-315 = ±1 315-1000 = ±1.6 1000-2000 = ±2.4				APPROVED	DATE
				CHECKED	DATE
				DRAWN	DATE
				FILE NO.	F:\DWG\F\6351A1\003\75\NPPT

Amphenol - Kai Jack TAINAN TAIWAN	
TITLE F BULKHEAD JACK	
DRAWING NO. KJ-F6351A1-003-NPPT-75	
ITEM NO.	

A B C D E F