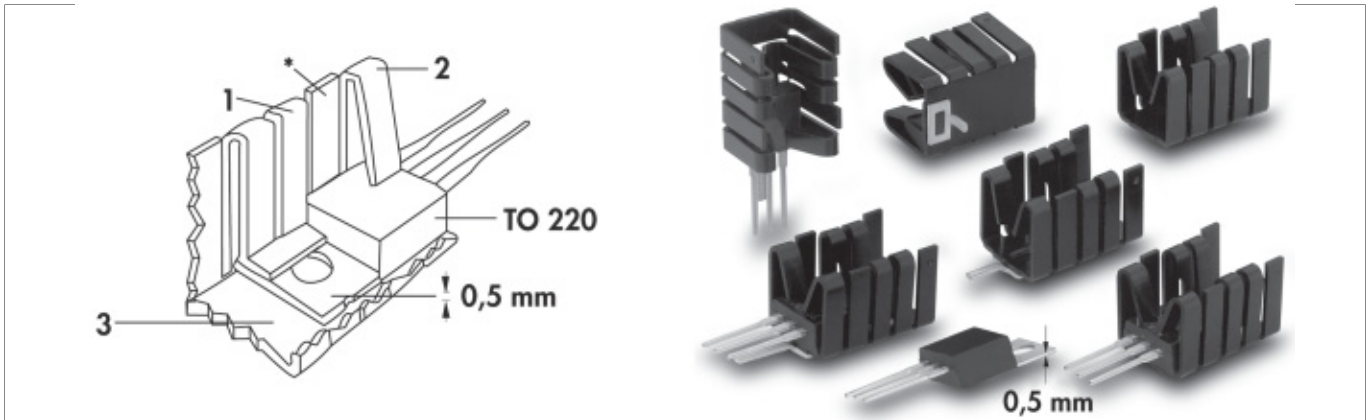
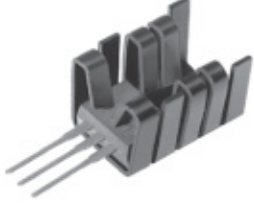
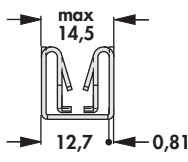
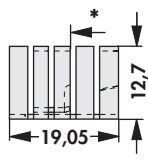
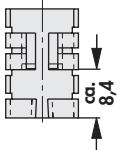

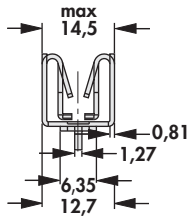
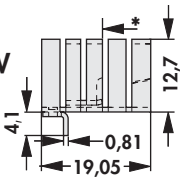
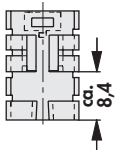


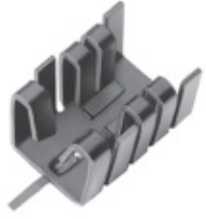
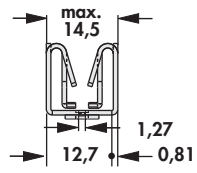
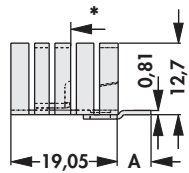
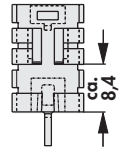
Attachable heatsinks for TO 220 with a bottom plate thickness of 0.5 mm



- narrow version with better thermal resistance
- max. 14.5 mm wide
- takes less space than any other attachable heatsink
- simple assembly by pushing the heatsink onto the TO 220 housing
- the cooling fingers form spring clamps **(1+2)**, which pushes the TO 220 and its mounting flange onto the heatsink **(3)**
- optimum heat transfer due to the constant pressure on the entire contact surface of the TO 220 cases
- effective heat emission with horizontal and vertical mounting
- * = touch in edge of transistor

art. no.			21 K/W		
FK 252 SA 220 O	without soldering lug				
art. no.			21 K/W		
FK 252 SA 220 H	with tinned soldering lug for direct soldering onto circuit board, for horizontal installation				
material:	aluminium				
surface:	black anodised				

- with tinned soldering lug for direct soldering onto circuit board, for vertical installation

					
art. no.	A [mm]	R_{th} [K/W]	art. no.	A [mm]	R_{th} [K/W]
FK 252 SA 220 V	6.35	21	FK 252 SA 220 VL	9.53	21
material:	aluminium				
surface:	black anodised				