
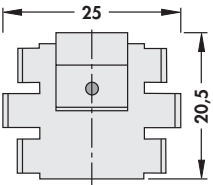
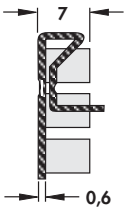

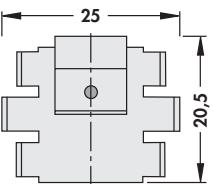
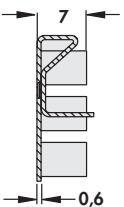

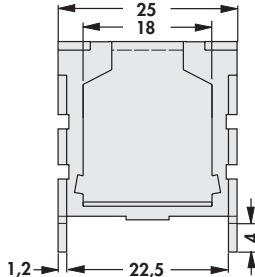
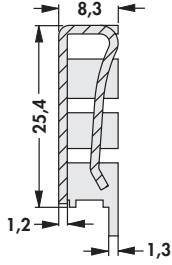


## Attachable heatsinks

		
<b>art. no.</b>	$R_{th}$ [K/W]	⊗
<b>FK 220 SA 220</b>	25	TO 220
<b>material:</b>	aluminium	
<b>surface:</b>	black anodised	

– for transistors with thin bottom thickness (0.5 mm)

		
<b>art. no.</b>	$R_{th}$ [K/W]	⊗
<b>FK 258 SA 220</b>	25	TO 220
<b>material:</b>	aluminium	
<b>surface:</b>	black anodised	

		
<b>art. no.</b>	$R_{th}$ [K/W]	⊗
<b>FK 224 ... P SIP</b>	18	P SIP
<b>please indicate:</b>	<b>... surface</b> SA = black anodised MI = solderable surface	
<b>material:</b>	aluminium	