

Features:

- High segment intensity
- Wide viewing angle
- Range of colours
- Grey face colour
- White segment colour

Available options:

- Alternative face and segment colour
- Alternative font
- Long terminal pins
- Alternative emitting colour
- Low current version

Font design

Product not shown
actual size



◆ Also available from **Farnell**

Electro / Optical Characteristics - $I_F = 20 \text{ mA}$ $T_a = 25^\circ \text{ C}$

Part Number Common Cathode	Part Number Common Anode	Emitting Colour	Wavelength	Forward Voltage V_F		Luminous Intensity I_V	
				typical	max	min	typical
FN1-0561L0SGW	FN1-0562L0SGW	GaAlAs Red	660 Peak	1.85	2.00	-	25
FN1-0561R090SGW	FN1-0562R090SGW	GaAlAs Red	660 Peak	1.85	2.00	-	12
FN1-056130SGW	FN1-056230SGW	HE Red	640 Peak	2.05	2.50	-	6
FN1-0561Y0530SGW	FN1-0562Y0530SGW	Yellow	591 Peak	2.05	2.40	-	37
FN1-056120SGW	FN1-056220SGW	Green	568 Peak	2.10	2.50	-	11
FN1-0561B230SGW ◆	FN1-0562B230SGW ◆	Blue	470 Dominant	3.20	3.70	-	20
FN1-0561B220SGW ◆	FN1-0562B220SGW ◆	Blue	460 Dominant	3.20	3.70	-	20
Units			660 Peak	V		mcd / seg. (digit average)	

Maximum Ratings $T_a = 25^\circ \text{ C}$ - Derate above 25° C

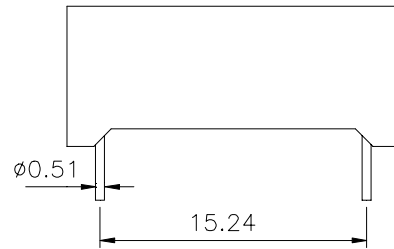
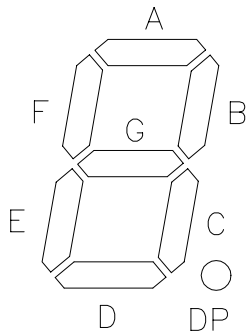
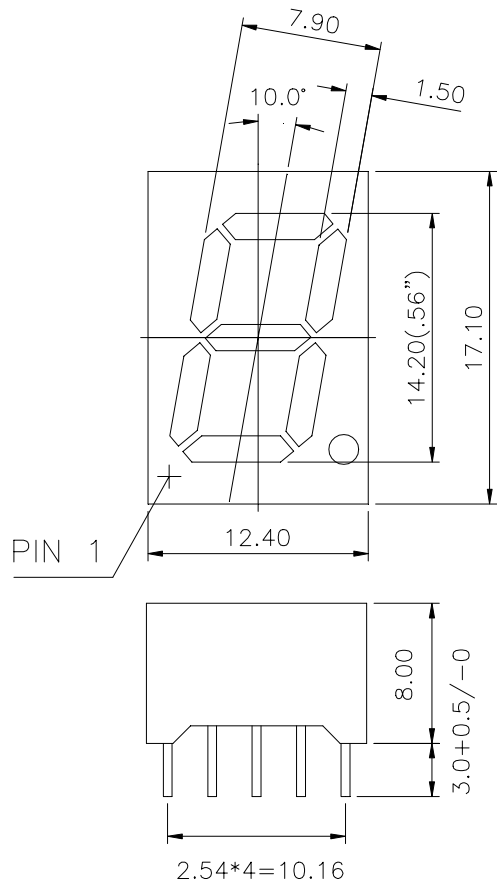
Characteristic	Condition	Symbol	Rating	Units
Pulse Forward Current	0.1 duty cycle @ 1KHz	I_{FP}	100	mA
DC Forward Current		I_F	25	mA
Reverse Voltage	$I_R = 10 \mu\text{A}$	V_R	5	V
Operating Temperature		T_{opr}	- 25 to + 80	$^\circ \text{ C}$
Storage Temperature		T_{stg}	- 30 to + 85	$^\circ \text{ C}$
Lead soldering temperature	1.6 mm from body - max 3 seconds		260	$^\circ \text{ C}$

Note

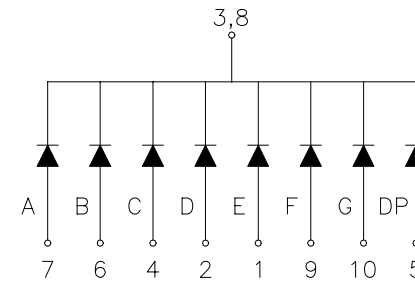
Industry standard procedures regarding static must be observed when handling product produced with blue die material.

It is the responsibility of the customer to verify the suitability of the product for the application.

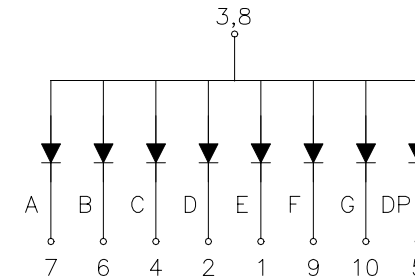
Package Outline



Common Cathode



Common Anode



Tolerance ± 0.25 mm unless stated