

FN1-100XX00GW

1.0" (25mm) Single Digit 7 Segment Display



forge europa

- Features:**
- High segment intensity
 - Wide viewing angle
 - Range of colours
 - Grey face colour
 - White diffused segment

Electro / Optical Characteristics $I_f = 20\text{mA}$ $T_a = 25^\circ\text{C}$

Part Number Common Cathode	Part Number Common Anode	Emitting Colour	Wavelength		Forward Voltage V_F		Luminous Intensity I_v	
			Peak λ_p	Dom. λ_D	typical	max	min	typical
FN1-1001R3400GW	FN1-1002R3400GW	AlGaInP Red	-	640	3.80	4.60	-	80
FN1-1001300GW	FN1-1002300GW	HE Red	640	-	4.10	5.00	-	15
FN1-1001Y05300GW	FN1-1002Y05300GW	Yellow	591	-	4.10	4.80	-	90
FN1-1001200GW	FN1-1002200GW	Green	568	-	4.20	5.00	-	28
FN1-1001B2200GW	FN1-1002B2200GW	Blue	-	460	6.40	7.40	-	70
FN1-1001B2300GW	FN1-1002B2300GW	Blue	-	470	6.40	7.40	-	70
Units			nm		V		mcd/seg. (digit average)	

Maximum Ratings $T_a = 25^\circ\text{C}$

Characteristic	Condition	Symbol	Rating	Units
DC Forward Current		I_f	25	mA
Pulse Forward Current	0.1 duty cycle @ 1kHz	I_{fM}	100	mA
Reverse Forward Voltage	$I_f = 10\mu\text{A}$	V_r	5	V
Operating Temperature		T_{op}	-25 - +80	$^\circ\text{C}$
Storage Temperature		T_{stg}	-30 - +85	$^\circ\text{C}$
Lead solder temperature	1.6mm from body – max 3 seconds		260	$^\circ\text{C}$

Note
Industry standard procedures regarding static must be observed when handling product.

It is the responsibility of the customer to verify the suitability of the product for the application.



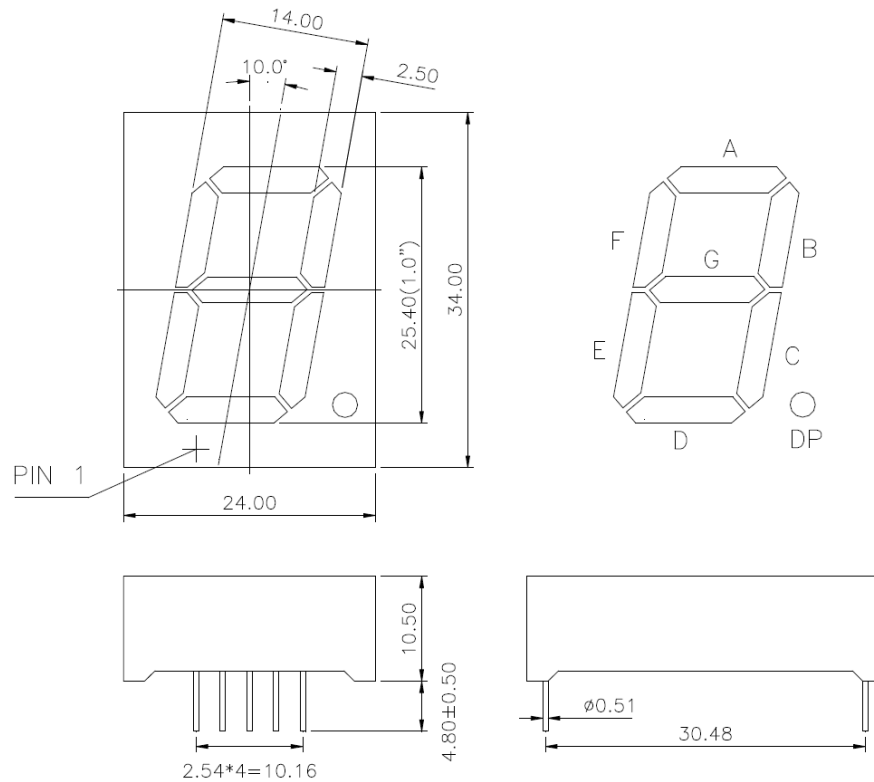
FN1-100XX00GW

1.0" (25mm) Single Digit 7 Segment Display

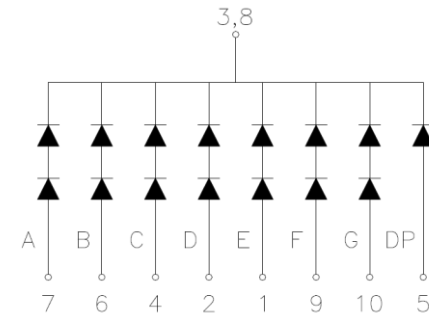


forge europa

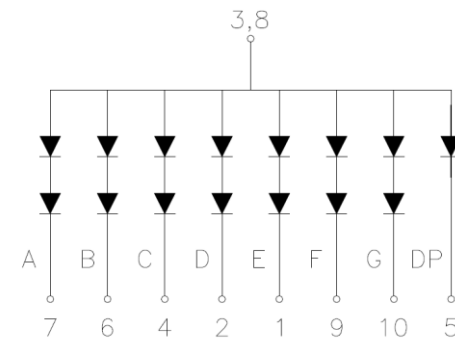
Package Outline



Common Cathode



Common Anode



Dimensions in mm Tolerance ± 0.25 mm unless stated

