

# FN1-400XX08AGW

4.0" (102mm) Single Digit 7 Segment Display



forge europa

- Features:**
- Bottom Decimal Point
  - High segment intensity
  - Wide viewing angle
  - Range of colours
  - Grey face colour, white diffused segment

**Electro / Optical Characteristics**  $I_f = 40\text{mA} / \text{segment}$   $20\text{mA DP}$   $T_a = 25^\circ\text{C}$

Part Number Common Cathode	Part Number Common Anode	Emitting Colour	Wavelength		Forward Voltage $V_F$		Luminous Intensity $I_v$	
			Peak $\lambda_p$	Dom. $\lambda_D$	typical	max	min	typical
FN1-4001R3408AGW	FN1-4002R3408AGW	AlGaInP Red	-	640	7.60	9.20	-	220
FN1-4001308AGW	FN1-4002308AGW	HE Red	640	-	8.20	10.00	-	68
FN1-4001R07708AGW	FN1-4002R07708AGW	AlGaInP Red	632	-	8.00	9.60	-	800
FN1-4001Y05308AGW	FN1-4002Y05308AGW	Yellow	591	-	8.20	9.60	-	408
FN1-4001208AGW	FN1-4002208AGW	Green	568	-	8.40	10.00	-	122
FN1-4001B2208AGW	FN1-4002B2208AGW	Blue	-	460	12.80	14.80	-	-
FN1-4001B2308AGW	FN1-4002B2308AGW	Blue	-	470	12.80	14.80	-	-
Units			nm		V		mcd/seg. (digit average)	

**Maximum Ratings**  $T_a = 25^\circ\text{C}$

Characteristic	Condition	Symbol	Rating	Units
DC Forward Current		$I_f$	50	mA
Pulse Forward Current	$\leq 0.1\text{ms}$	$I_{f_p}$	200	mA
Reverse Forward Voltage	$I_f = 10\mu\text{A}$	$V_r$	5	V
Operating Temperature		$T_{op}$	-25 - +80	$^\circ\text{C}$
Storage Temperature		$T_{stg}$	-30 - +85	$^\circ\text{C}$
Lead solder temperature	1.6mm from body – max 3 seconds		260	$^\circ\text{C}$

**Note**  
Industry standard procedures regarding static must be observed when handling product.

It is the responsibility of the customer to verify the suitability of the product for the application.



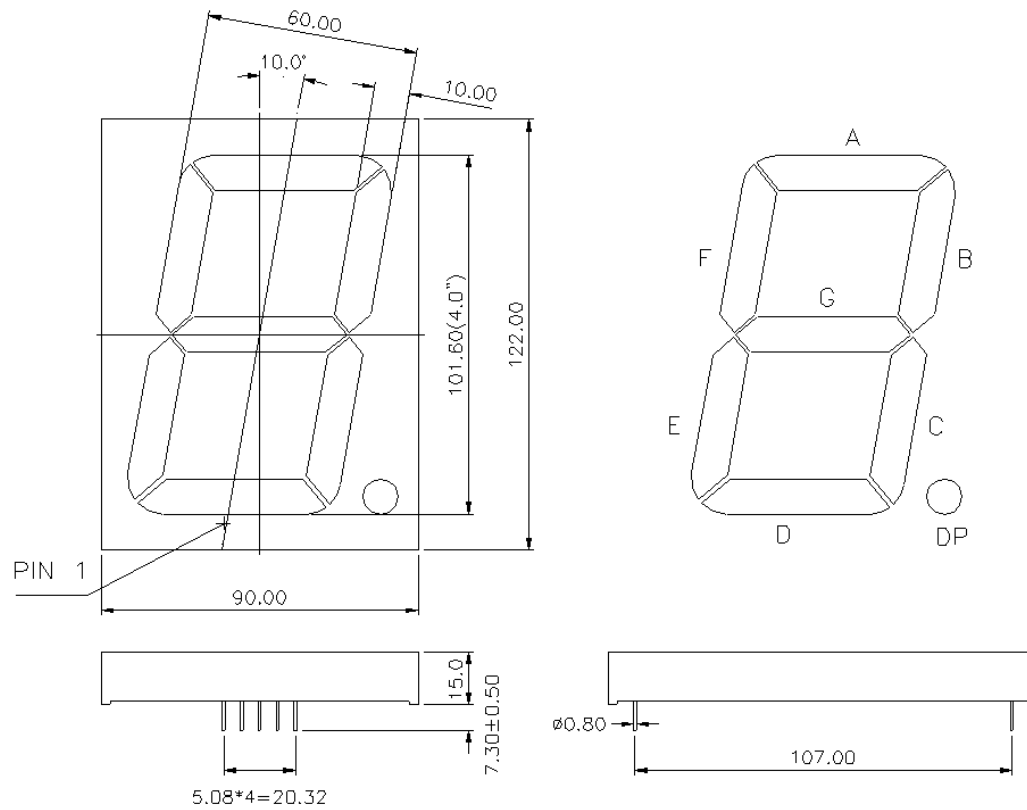
# FN1-400XX08AGW

4.0" (102mm) Single Digit 7 Segment Display



forge europa

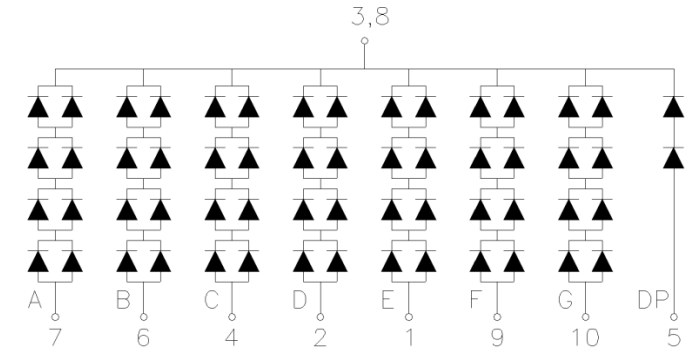
## Package Outline



Dimensions in mm

Tolerance  $\pm 0.25$ mm unless stated

## Common Cathode



## Common Anode

