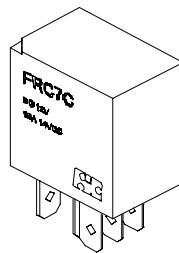


FRC7 RELAY



FEATURES

- 20A contact rating
- High temperature design
- 1 Form A & 1 Form C arrangements
- Ideal use for control car
- Quick connect or PCB terminals



SPECIFICATION

COIL RATING

RATED VOLTAGE V DC	COIL RESISTANCE Ω + / - 10%		RATED CURRENT (mA)		MUST OPERATE VOLTAGE	MUST DROPOUT VOLTAGE	MAXIMUM VOLTAGE	POWER CONSUMPTION (W)
	1 Form A	1 Form C	1 Form A	1 Form C	% OF RATED VOLTAGE (AT 20°C)			
6	30	25	200	250	UNSEALED MODEL : 60 Max. SEALED MODEL : 65 Max.	10 Min.	130 Max.	1 FORM A : 1.2W
12	120	96	100	124				1 FORM C : 1.5W
24	480	384	50	62.5				

CHARACTERISTICS

Contact Arrangement	SPST (1 Form A); SPDT (1 FORM C)
Contact Material	Silver Alloy
Contact Resistance	50m Ω Max.
Contact Rating (Resistive Load)	FRC7 NO : 25A 14VDC NC : 20A 14VDC FRC7N NO : 20A 14VDC NC : 15A 14VDC
Switching Voltage	DC 75V Max
Operate Time (Initial)	10ms Max.
Release Time (Initial)	7ms Max.
Insulation Resistance	100M Ω Min. (500V DC)
Dielectric Strength	500Vrms, 1 minute between coil and contacts
Shock Resistance	10g Approx.
Vibration Resistance	1.27mm Double Amplitude, 10-40Hz
Ambient Temperature	Storage : -40°C to +155°C Operate : -40°C to +85°C
Humidity	20 - 85% RH
Operation Life	Mechanical : 10 ⁷ Electrical : 10 ⁵ (At Rated Load)
Weight	18.5g Approx.

[Specifications are subject to change without notices.]

FORWARD INDUSTRIAL COMPANY. (O/B COMMERCIAL UNION LTD)

RM. 1405, Wu Sang House, 655 Nathan Road, Mongkok, Kowloon, Hong Kong.

TEL : (852) 27892365 FAX : (852) 27893102 E-MAIL : sales@ficrelay.com.hk

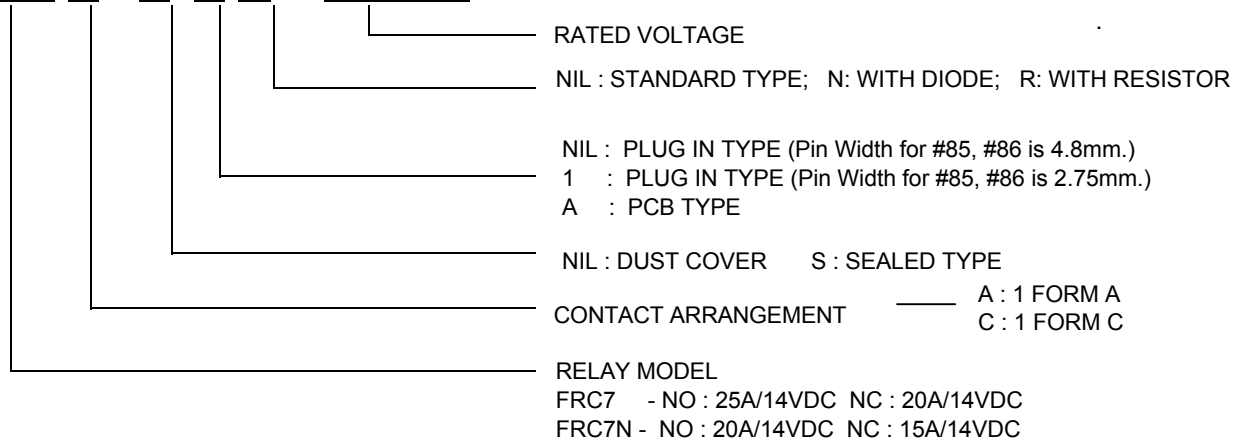
WEBSITE : <http://www.ficrelay.com.hk>

FRC7 RELAY



ORDERING INFORMATION

FRC7 A - S A R - DC12V

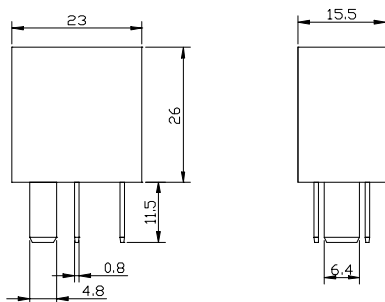


Note : Pb-Free and RoHS compliant relays are available.
 For ordering, please add suffix "Pb-Free" or "RoHS" to standard relay part numbers.

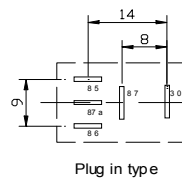
For example : FRC7A DC 12V "Pb-Free" for Pb-Free Relay
 For example : FRC7A DC 12V "RoHS" for RoHS Compliant Relay

DIMENSIONS (UNIT : mm)

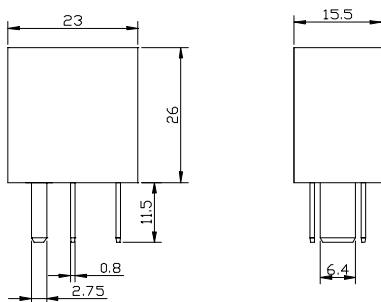
FRC7 - Plug in type with 4.8mm pin width for pins #85 & #86



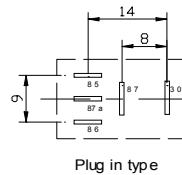
MOUNTING (BOT TOM VIEW)



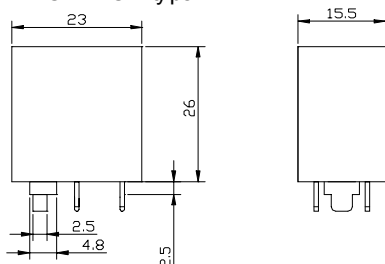
FRC7 - Plug in type with 2.75mm pin width for pins #85 & #86



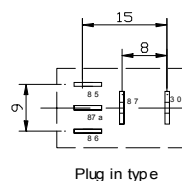
MOUNTING (BOT TOM VIEW)



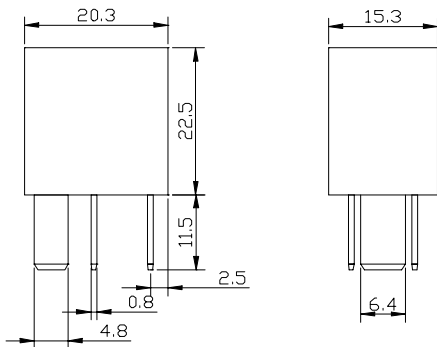
FRC7 - PCB type



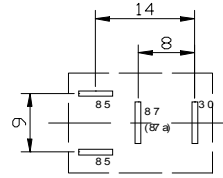
MOUNTING (BOT TOM VIEW)



FRC7N - Plug in type

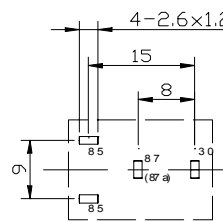
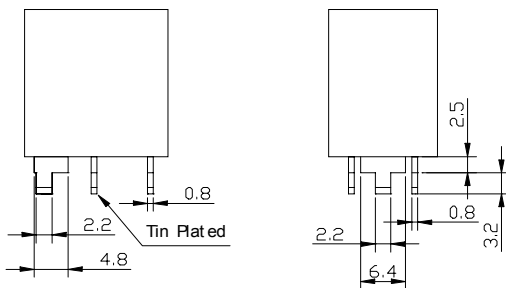


MOUNTING (BOTTOM VIEW)



Plug in type

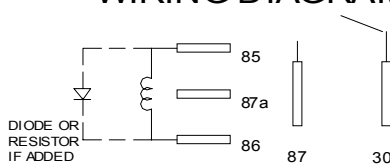
FRC7N - PCB type



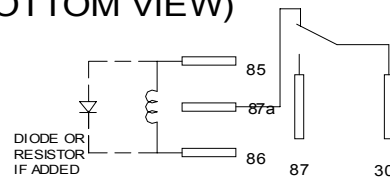
PCB type

FRC7

WIRING DIAGRAM (BOTTOM VIEW)



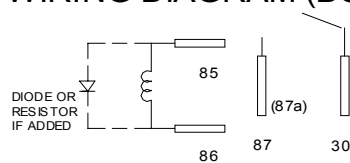
1 FORM A



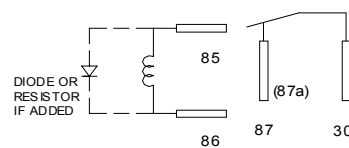
1 FORM C

FRC7N

WIRING DIAGRAM (BOTTOM VIEW)



1 FORM A



1 FORM B