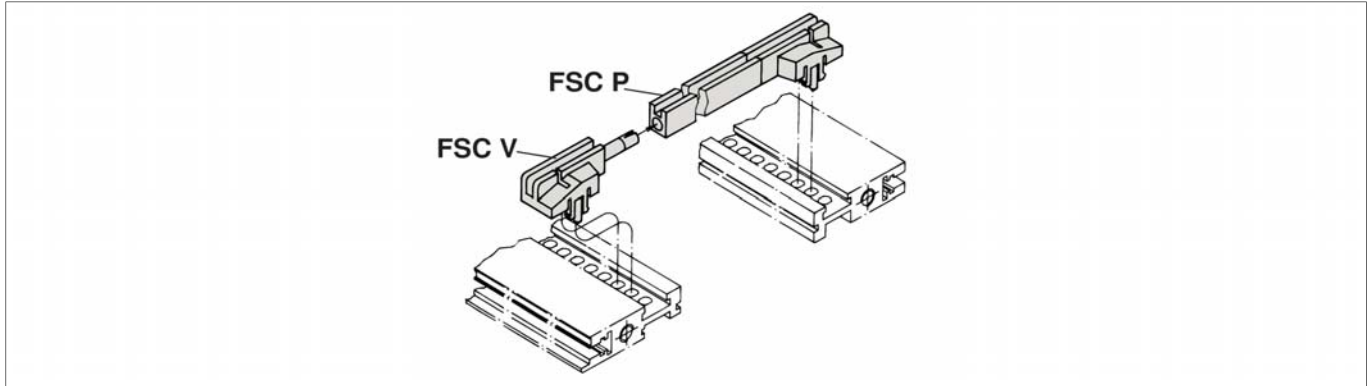


Accessories for 19" subracks

Variable guide-rails

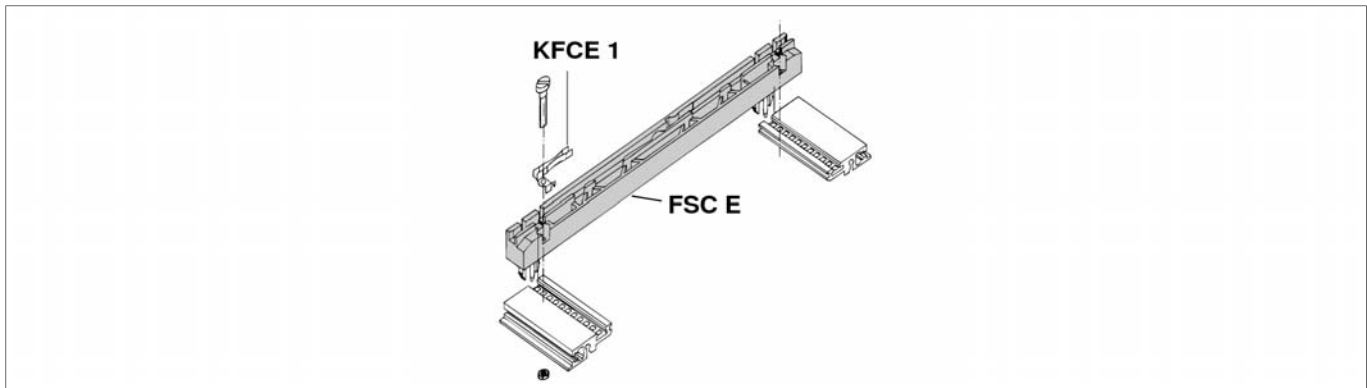
- contains 1 pair of heads and 1 profile
- head pieces (1 pair): art. no. **FSC V**; profile (in running meters) art. no. **FSC P**
- further profile lengths upon request



art. no.	art. no.
FSC P	FSC V

Reinforced guide rails

- easy and fast to install by the use of clips
- can also be screwed into the module rails (M 2.5 x 12)
- high rigidity
- centred with spring-loaded strut
- good ventilation due to lattice work
- assembly option for one contact spring for advanced earthing to the module rails and front cover using conductor on the printed circuit board



art. no.	for Eurocards [mm]	art. no.	for Eurocards [mm]
FSCE 160	100 x 160/ 233,5 x 160	FSCE 220	100 x 220/ 233,5 x 220

contact spring please order separately:

art. no.
KFCE 1

19" front panels

Variable guide rails

Reinforced guide rails

Guide rail

→ N 67

→ N 28

→ N 28

→ N 27

Fixing material

PCB holder

19" handles

Accessory for part front panels

→ N 65

→ N 63 - 64

→ N 68 - 70

→ N 51

N 28

A

B

C

D

E

F

G

H

I

K

L

M

N