

# PRODUCT SPECIFICATION

**Model No.: FYL-5013PGD1C60**

Descriptions:
<ul style="list-style-type: none"> <li>■ Dice material: InGaN.</li> <li>■ Emitting Color: Super bright Pure Green.</li> <li>■ Device Outline: Φ5mm round type.</li> <li>■ Lens Type: Green Diffused.</li> </ul>



CUSTOMER APPROVED SIGNATURES	APPROVED BY	SALES BY	PREPARED BY
		<div style="border: 2px solid red; padding: 5px; display: inline-block;"> <b>Foryard</b>            S090            2020.08.08         </div>	<div style="border: 2px solid red; border-radius: 50%; padding: 5px; display: inline-block;"> <b>Foryard</b>            E005            2020.08.08         </div>

**NINGBO FORYARD OPTOELECTRONICS CO.,LTD.**

**Add:**No. 666 Jinghua Road, Hi-tech Park, Ningbo, Zhejiang, China

**Zip:**315103

**Tel:** 0086-574-87933652 87927870 87922206

**Fax:** 0086-574-87927917

**E-mail:**Sales@foryard.com (General)

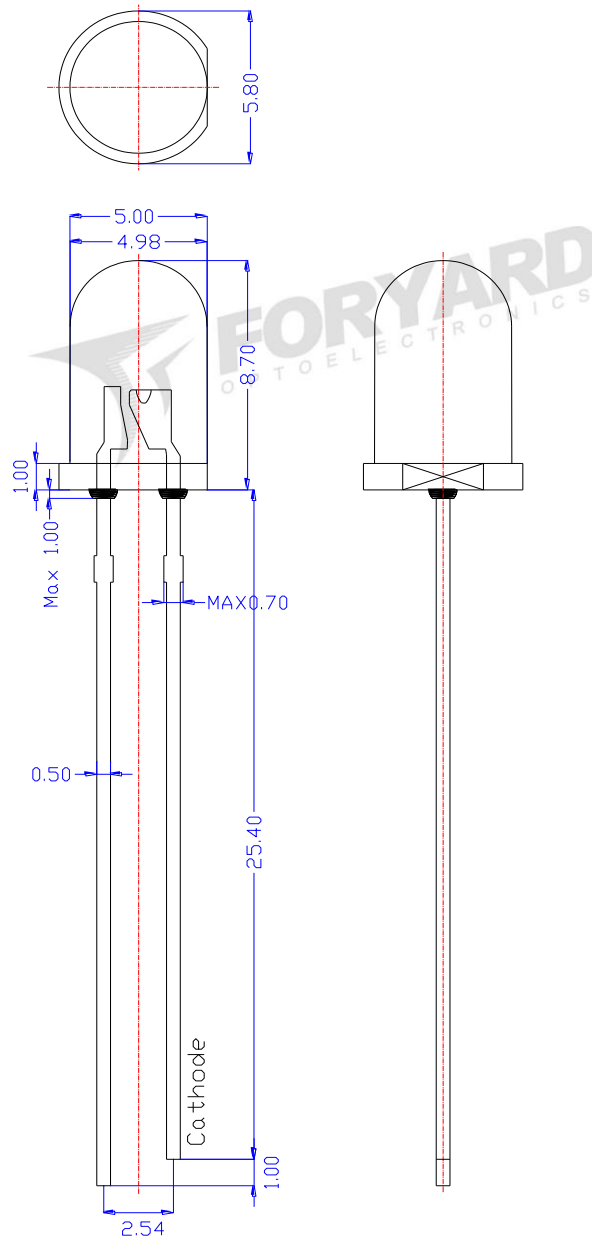
**Http://www.foryard.com**

**Model No.: FYL-5013PGD1C60**

■ **Features**

- 1.Low power consumption.
- 2.High efficiency.
- 3.General purpose leads.
- 4.High intensity.
- 5.RoHs compliant.

■ **Package configuration**



**Notes:**

1. All dimensions are millimeters (inches)
2. Tolerance is  $\pm 0.25\text{mm}(.010")$  unless otherwise noted.
3. The specifications, characteristics and technical data described in the datasheet are subject to change without prior notice.

**Model No.: FYL-5013PGD1C60**

■ **Absolute Maximum Ratings(Ta=25° C)**

Parameter	MAX.	Unit
Power Dissipation	100	mW
Peak Forward Current (1/10 Duty Cycle, 0.1ms Pulse Width)	100	mA
Continuous Forward Current	30	mA
Derating Linear From 50°C	0.4	mA/°C
Reverse Voltage	5	V
Operating Temperature Range	-40°C to +85°C	
Storage Temperature Range	-40°C to +100°C	
Lead Soldering Temperature[4mm(.157") From Body]	260°C for 5 Seconds	

■ **Typical Electrical &Optical Charcteristics(Ta=25°C)**

Parameter	Symbol	Min.	Typ.	Max.	Unit	Test Condition
Luminous Intensity	$I_v$	2300	3800	4750	mcd	IF=20mA
Viewing Angle	$2\theta_{1/2}$	-	60	-	Deg	
Peak Emission Wavelength	$\lambda_p$	-	525	-	nm	
Dominant Wavelength	$\lambda_d$	515	520	525	nm	
Spectral Line Half-Width	$\lambda$	-	30	-	nm	
Forward Voltage	$V_F$	1.9	2.1	2.5	V	
Reverse Current	$I_R$			10	$\mu A$	VR=5V

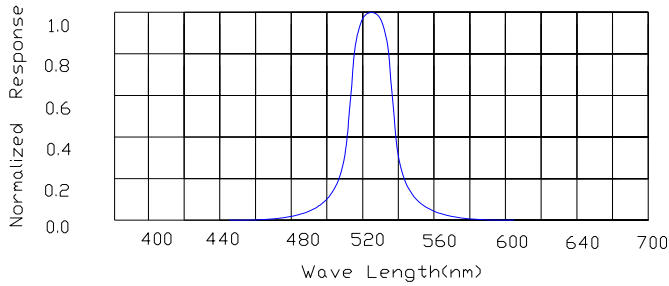
Note:

- 1.Luminous Intensity is based on the Foryard standards.
- 2.Pay attention about static for InGaN

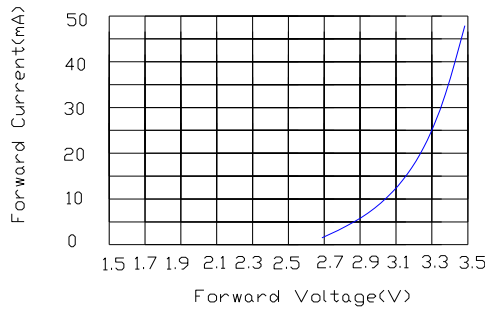
**Model No.: FYL-5013PGD1C60**

**Typical Electrical/Optical Characteristics Curves(Ta=25°C Unless Otherwise Noted)**

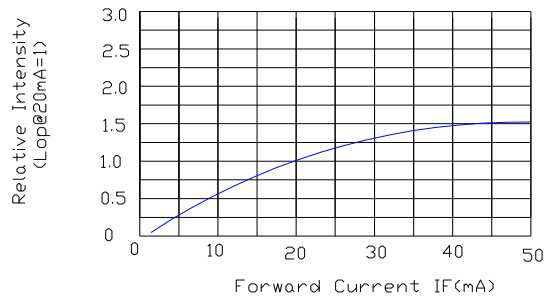
Spectral Reduance



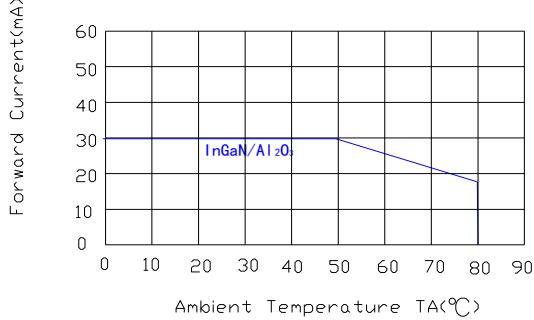
Forward Current Vs Forward Voltage



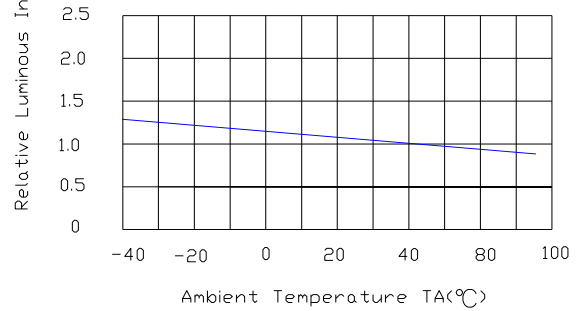
Relative Luminous intensity vs Forward current



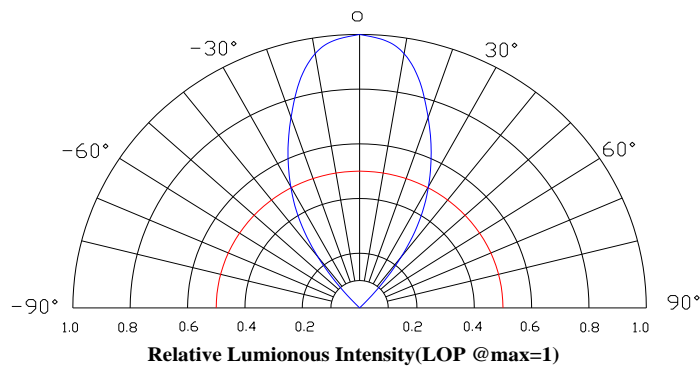
Forward Current Derating Curve



Luminous Intensity Vs. Ambient Temperature

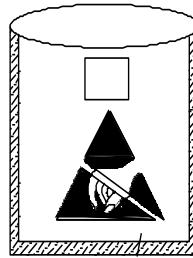


**Radiation pattern.**

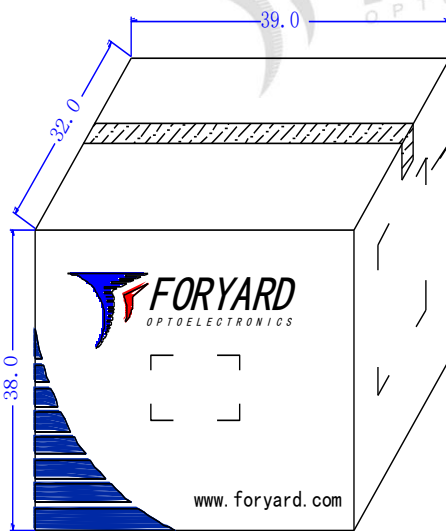
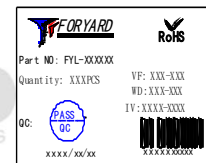


Model No.: FYL-5013PGD1C60

■ LAMP PACKING.

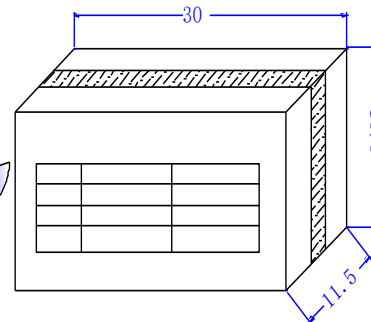


5mm 500PCS/Polybag



36000PCS/ Carton

OUTSIDE LABEL



6000PCS/ Box



OUTSIDE LABEL

Note: The specifications are subject to change without notice. Please contact us for updated information.