

PRODUCT SPECIFICATION

Model No.: FYL-5019RBGC1C-CC

Descriptions:
■ Dice material: AlGaInP/ InGaN /InGaN
■ Emitting Color: Red /Blue/ Pure green
■ Device Outline: Φ5mm round type.
■ Lens Type: Water clear.



CUSTOMER APPROVED SIGNATURES	APPROVED BY	CHECKED BY	PREPARED BY

NINGBO FORYARD OPTOELECTRONICS CO.,LTD.

Add:NO.115 Qixin Road Ningbo Zhejiang China

Zip:315051

Tel: 0086-574-87933652 87927870 87922206

Fax: 0086-574-87927917

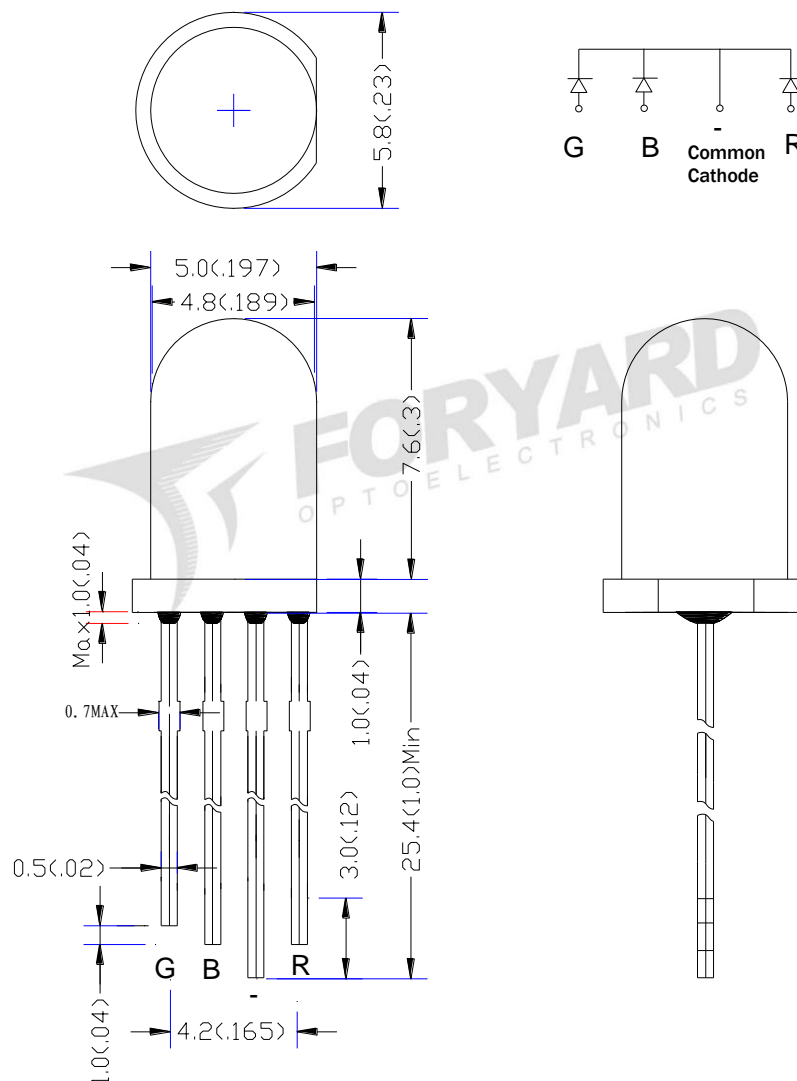
E-mail: Sales@foryard.com (General)

[Http://www.foryard.com](http://www.foryard.com)

■ Features

1. Low power consumption.
2. High efficiency.
3. General purpose leads.
4. RoHs compliant.

■ Package configuration



Notes:

1. All dimensions are millimeters.
2. Tolerance is ± 0.25 mm unless otherwise noted.
3. The specifications, characteristics and technical data described in the datasheet are subject to change without prior notice.

■ Absolute maximum ratings($T_a=25\text{ }^{\circ}\text{C}$)

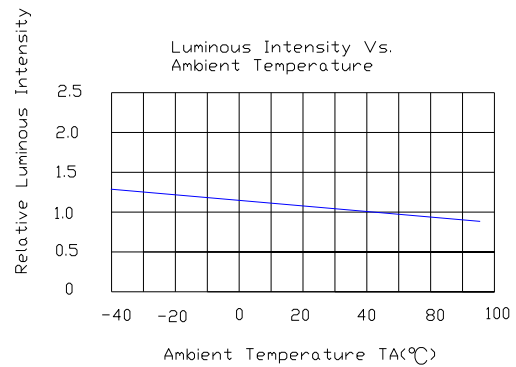
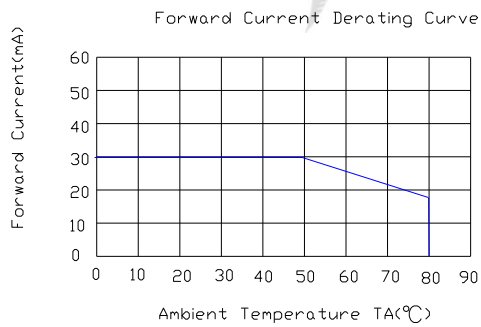
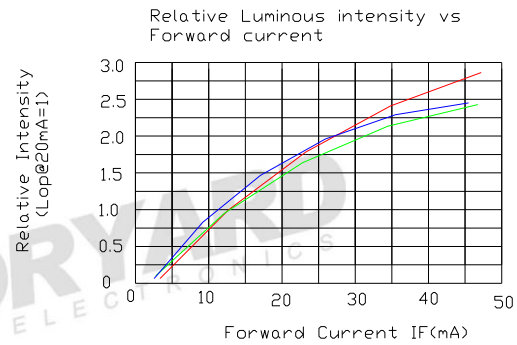
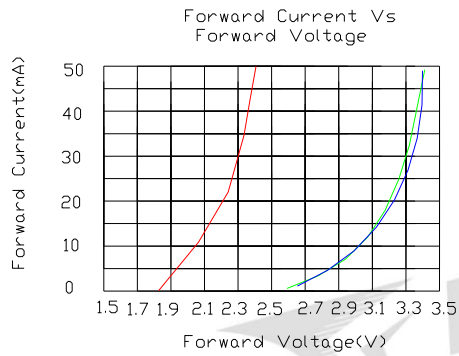
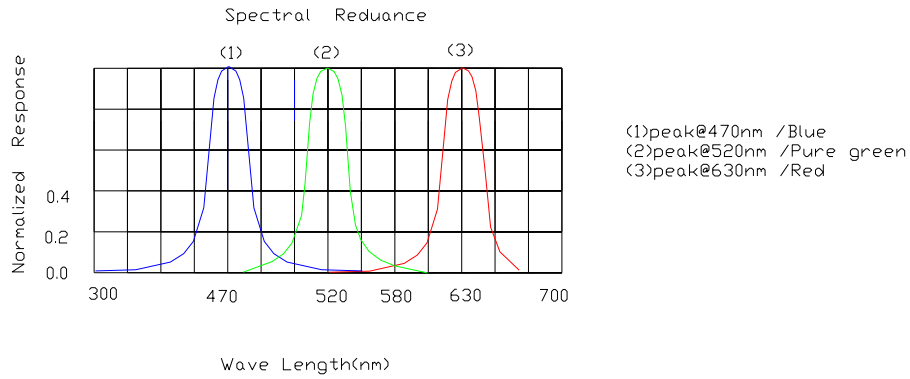
Parameter	MAX.	Unit
Power Dissipation	120	mW
Peak Forward Current (1/10 Duty Cycle, 0.1ms Pulse Width)	100	mA
Continuous Forward Current	UR	50
	UB	30
	PG	30
Derating Linear From 50 $^{\circ}\text{C}$	0.4	mA/ $^{\circ}\text{C}$
Reverse Voltage	5	V
Operating Temperature Range	-40 $^{\circ}\text{C}$ to +85 $^{\circ}\text{C}$	
Storage Temperature Range	-40 $^{\circ}\text{C}$ to +100 $^{\circ}\text{C}$	
Lead Soldering Temperature[4mm(.157") From Body]	260 $^{\circ}\text{C}$ for 5 Seconds	

■ Electrical and optical characteristics($T_a=25\text{ }^{\circ}\text{C}$)

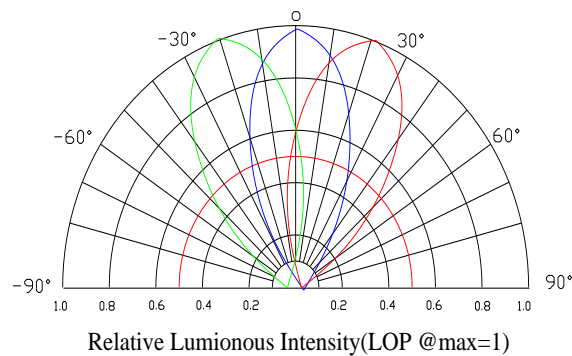
Parameter	Symbol	Min.	Typ.	Max.	Unit	Test Condition	
Luminous Intensity	I_v	UR	-	2000	-	mcd	
		PG	-	6000	-		
		UB	-	2500	-		
Viewing Angle	$2\theta_{1/2}$	-	30	-	Deg	$I_F=20\text{mA}$	
Peak Emission Wavelength	λ_p	UR		630			nm
		PG		520			
		UB		470			
Dominant Wavelength	λ_d	UR	620	625			nm
		PG	515	520			
		UB	465	470			
Spectral Line Half-Width	$\Delta\lambda$	UR		15			nm
		PG		30			
		UB		30			
Forward Voltage	V_F	UR	1.8	2.2	-	V	
		PG	3.0	3.2	-		
		UB	3.0	3.2	-		
Reverse Current	I_R			10	μA	$V_R=5\text{V}$	

■ Typical Electrical Characteristics Curves

(25 °c Ambient Temperature Unless Otherwise Noted)

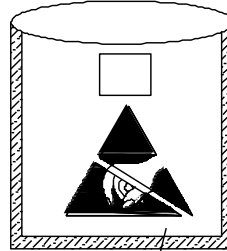
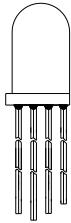


Radiation pattern.

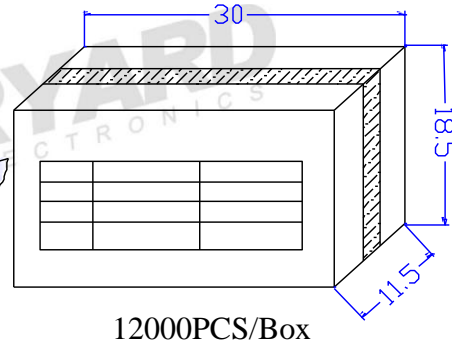
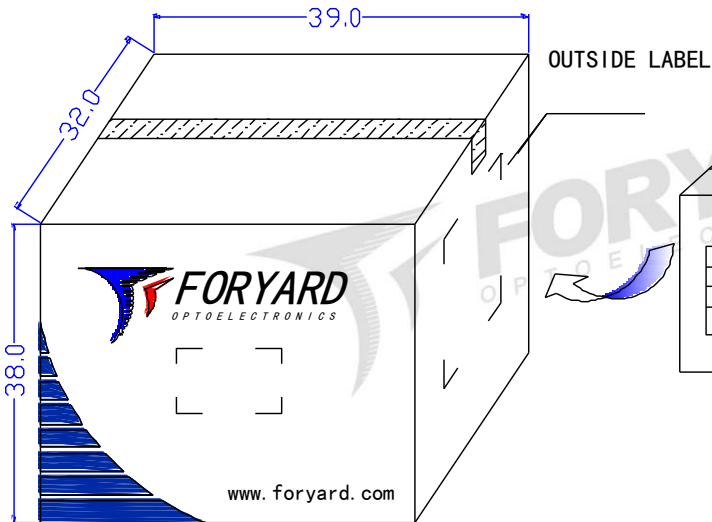
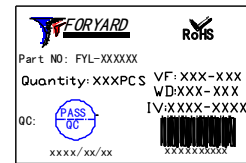


Model. No.	FYL-5019RBGC1C-CC
Rev.	A

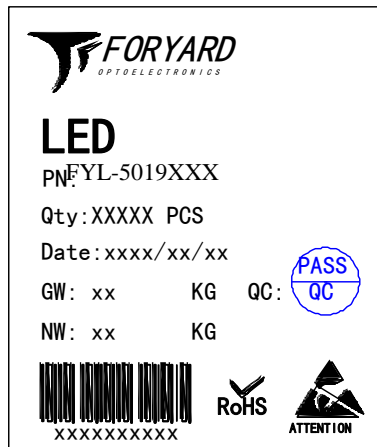
■ LAMP PACKING.



5mm 1000PCS/Polybag



72000PCS/Carton



OUTSIDE LABEL