
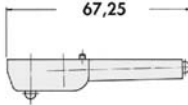
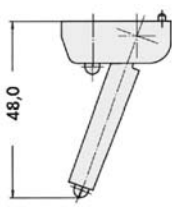


Accessories for cases

Tilt foot


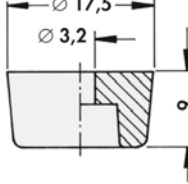

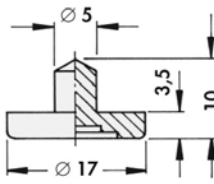
		
art. no.	mounting	type of packing
AF 1	by screws	set (2 pcs. with tilt bracket / 2 pcs. without tilt bracket + assembly material)

technical data

colour: black

material: glass fibre filled polyamide with rubber insert (skid and scratch resistant)

Feet

	
art. no.	mounting
GF 1759	by screws
	
art. no.	mounting
GF 1710	by pressing into the chassis drilling


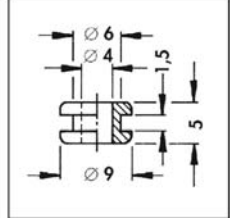
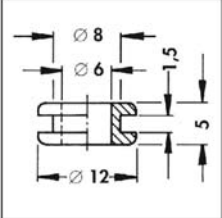
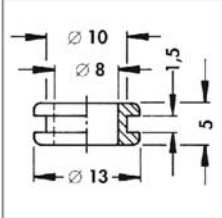
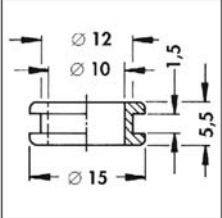
technical data

heat resistance: max. 80° C

colour: black

material: soft PVC

Bushings

				
art. no.	mounting			
KDF 49	by pressing into the chassis drilling			
KDF 612	by pressing into the chassis drilling			
KDF 813	by pressing into the chassis drilling			
KDF 1015	by pressing into the chassis drilling			

Shell cases

Extruded assembled cases

Desk consoles

Euro case

→ M 3 – 4

→ M 5

→ M 8

→ M 9

Combination cases

Case for DIN-mounting rail

Tube cases

Design case Eurotainer

→ M 11 – 17

→ M 13 – 17

→ M 21

→ M 40

M 46