

# GP Batteries

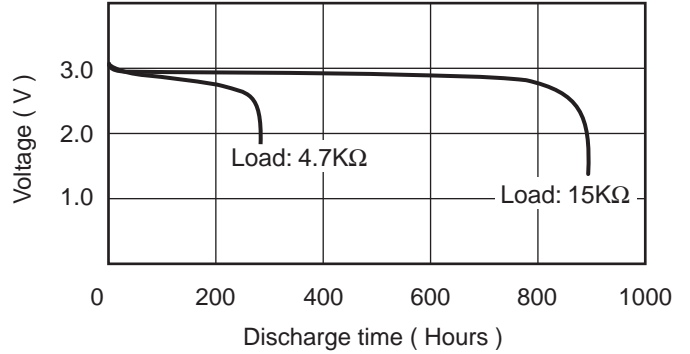
## Data Sheet

Model No.: CR2025

Description : Flat Lithium Battery  
 Chemical system : Lithium Manganese Dioxide  
 Nominal voltage : 3 Volts  
 Nominal capacity : 150mAh  
 Dimensions :  $\varnothing 20.0 \times 2.5$ mm  
 Shelf life : 5 years at room temperature  
 Average weight : 2.5 grams  
 Applications : Computer memory back up,  
 photo

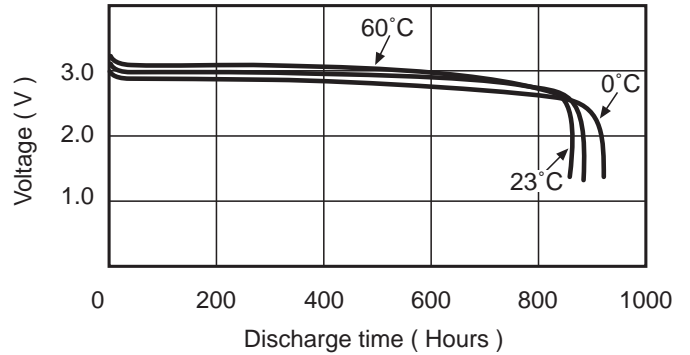
### Discharge characteristics on Load

At 23°C



### Discharge characteristics on temperature

Load: 15KΩ

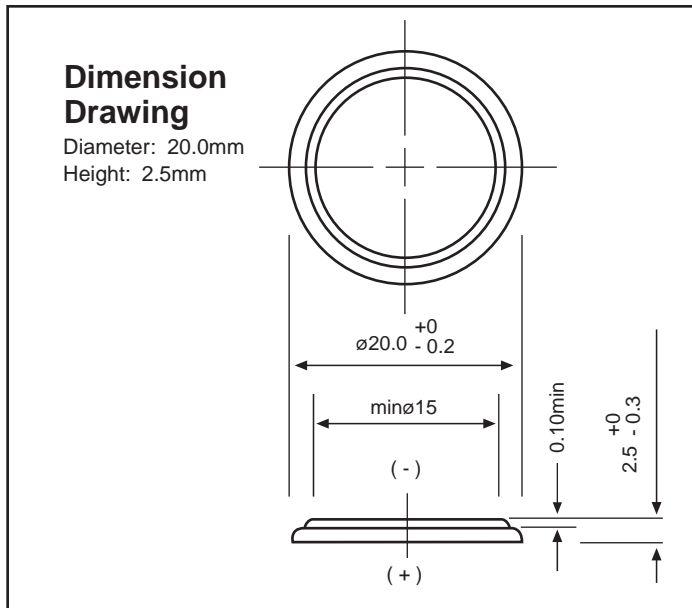
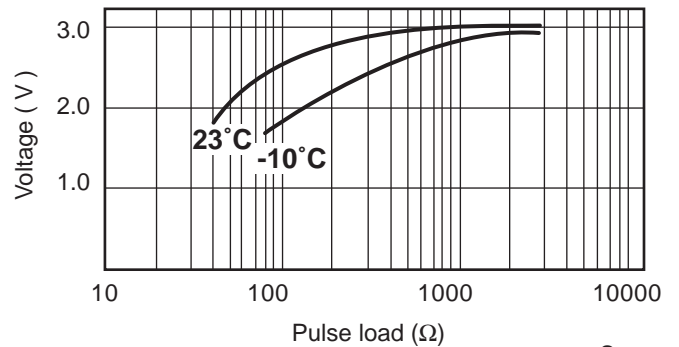


### Discharge characteristics on pulse load

(Discharge depth 40%)

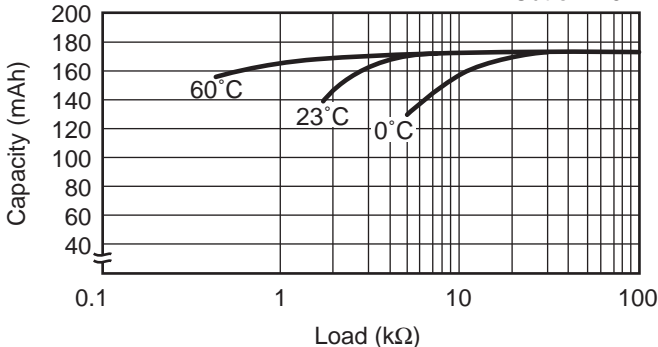
Excellent low-impedance characteristics

Pulse Load for 15 Sec



### Discharge load vs Discharge capacity

Cut off 2.0V



### Cross Reference:

IEC	JIS	Eveready	Varta	Duracell
CR2025	CR2025	ECR2025	CR2025	DL2025

