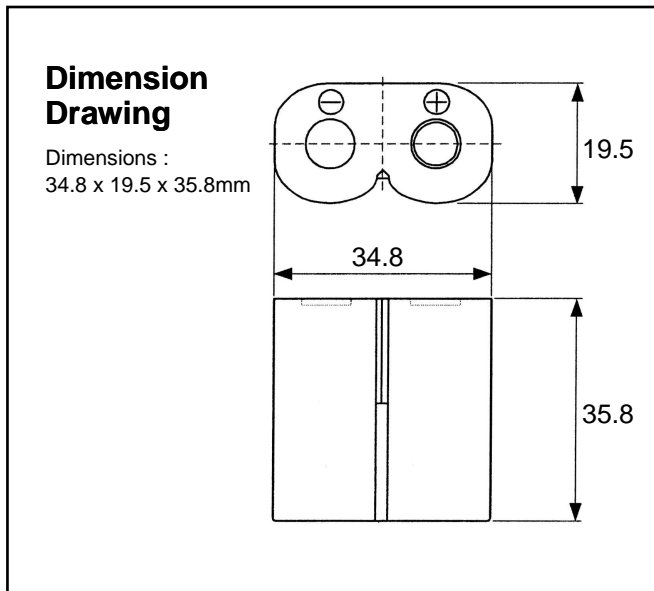


GP Batteries

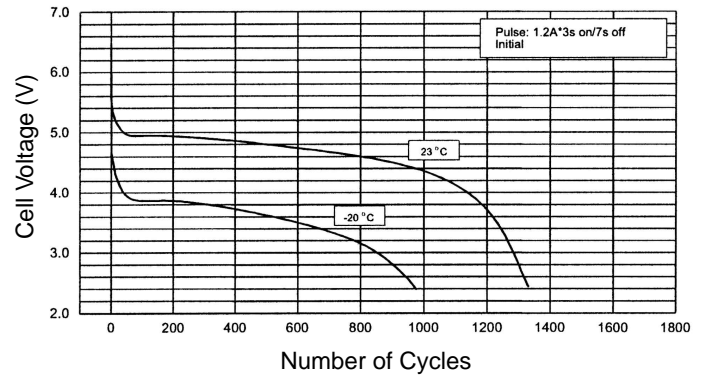
Data Sheet

Model No.: GPCR-P2

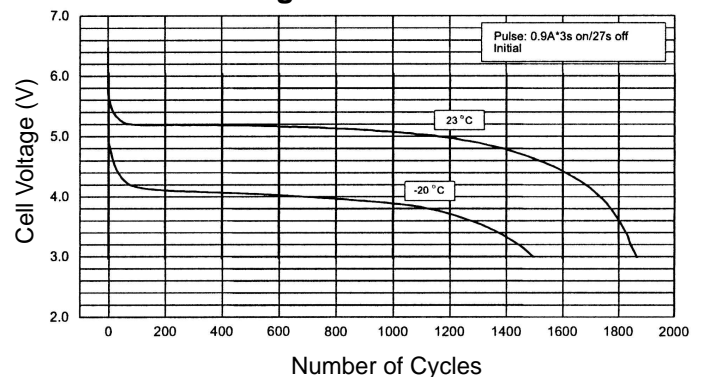
Description : Lithium Battery
 Chemical system : Lithium Manganese Dioxide
 Nominal voltage : 6 Volts
 Nominal capacity : 1400mAh
 Dimensions : 34.8 x 19.5 x 35.8mm
 Terminals : Flat, Connector
 Jacket : Plastic Case
 Shelf life : 5 years
 Average weight : App. 37 grams
 Application : Photo



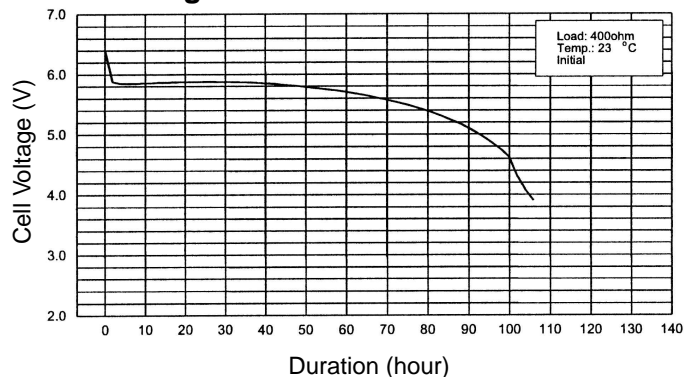
Pulse Discharge Characteristics of CR-P2



Pulse Discharge Characteristics of CR-P2



Discharge Characteristics of CR-P2



Cross Reference:

IEC	Eveready	Duracell
CR-P2	EL223AP	DL223A

