



GP Series | Double-pole switch 12A quick connection 4.8 black body



sample image

PRODUCT CODE: GP12H1121M00W

Wiring diagrams



Terminal type



Accessories

Body colour



Actuator colour



Marking



Marking colour



Rating

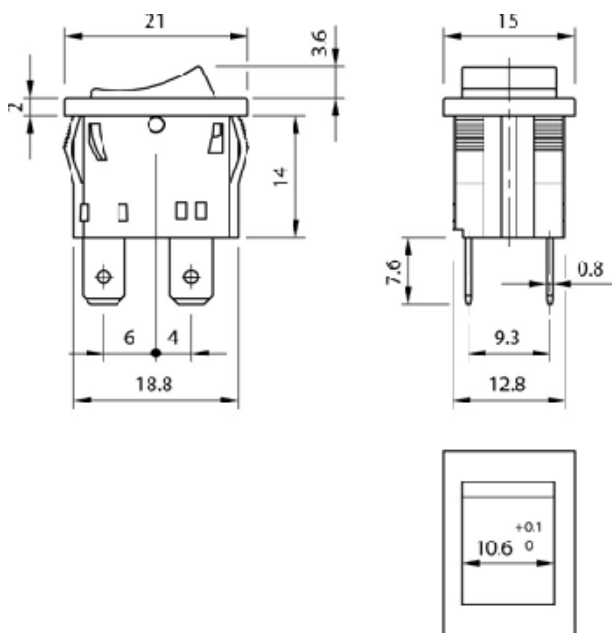
12 A / 250 VAC
6 (6) A / 250 VAC
2 / 120 A - 250 VAC
5 (5) A / 250 VAC - 5E4
T125/55 °C

Approvals

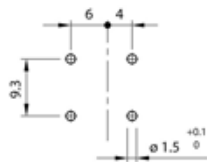
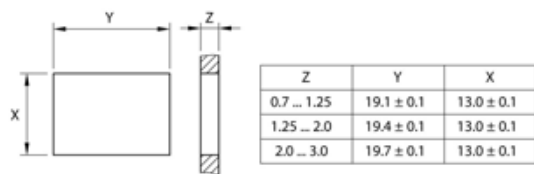


15 A / 125 V
12 A / 250 V
T65 °C

Dimensions (mm)



Cut out (mm)



Stampa scheda