



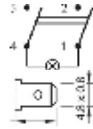
GP Series | Illuminated double-pole switch 12A quick connection 4.8 black body



sample image

PRODUCT CODE: GP18H1G21M00

Wiring diagrams



Terminal type

Accessories

- Body colour
- Actuator colour
- Marking o |
- Marking colour

Rating

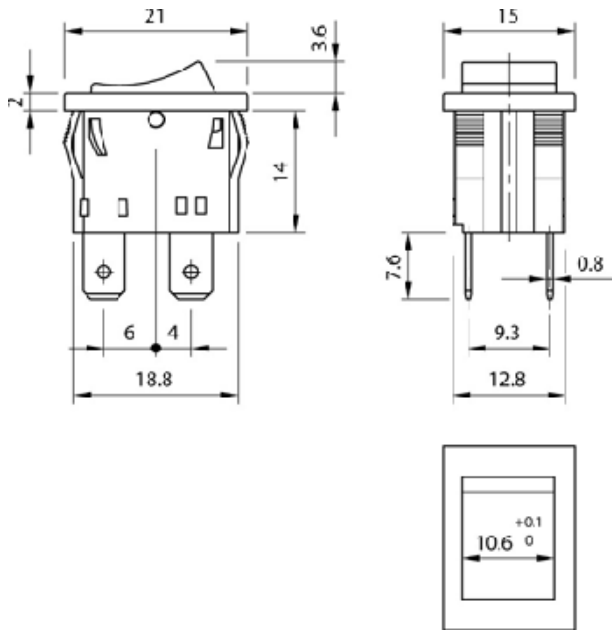
12 A / 250 VAC
 6 (6) A / 250 VAC
 2 / 120 A - 250 VAC
 5 (5) A / 250 VAC - 5E4
 T125/55 °C

Approvals

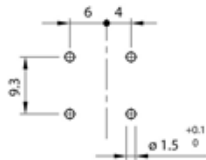
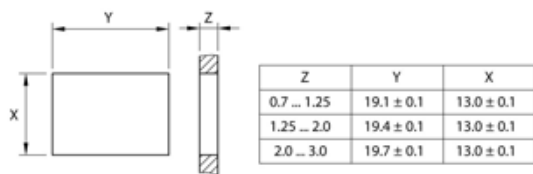


15 A / 125 V
 12 A / 250 V
 T65 °C

Dimensions (mm)



Cut out (mm)



Stampa scheda