

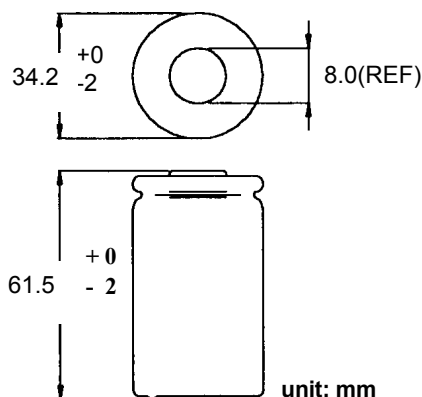
GP Batteries

Data Sheet

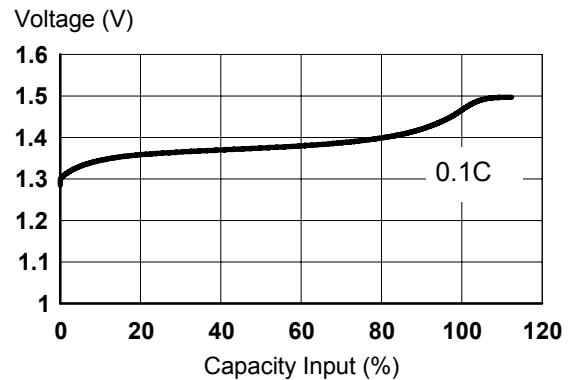
Model No.: GP900DHC

Type	: Rechargeable Nickel Metal Hydride Cylindrical Cell
Model	: GP900DHC
Nominal Dimension (with Sleeve)	: $\varnothing = 34.2\text{mm}$ H = 61.5mm
Application	: Recommended discharge current 1800mA to 27A (continuous)
Nominal Voltage	: 1.2V
Nominal Capacity	: Minimum : 8750mAh Typical: 9000mAh when discharged at 1800mA to 1.0V at 20°C
Charging Condition	: 900mA for 16 hrs at 20°C
Service Life	: >500 cycles (IEC 61951-2) Up to 1000 cycles (not less than 60% of nominal at 0.1C charge/0.2C discharge)
Continuous Overcharge	: 900mA maximum current No conspicuous deformation and /or leakage
Weight	: 173g
Internal Resistance	: Average 6m Ω upon fully charged (Range : 4-8m Ω) at 1000Hz
Max. Charging Voltage	: 1.5V at 900mA charging
Temperature Range	: Standard Charging : 0°C to 40°C Discharging : -20°C to 50°C Storage : -20°C to 35°C Storage (1 week) : -20°C to 60°C

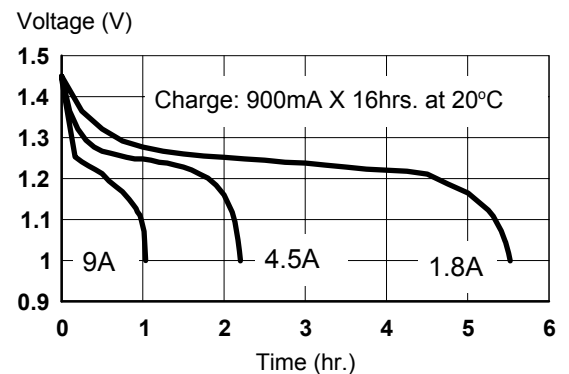
*



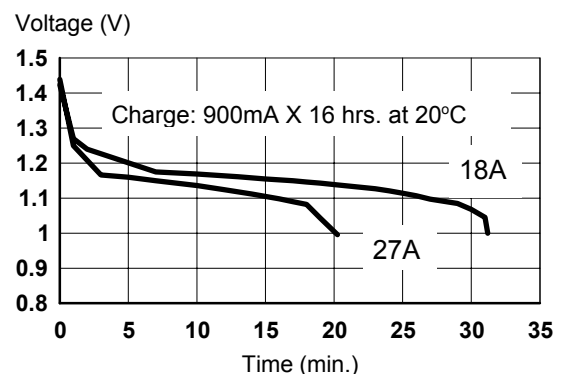
Standard Charge



Low Drain Discharge



High Drain Discharge



* The information (subject to change without prior notice) contained in this document is for reference only and should not be used as a basis for product described guarantee or warranty. For applications other than those here, please consult your nearest GP Sales and Marketing Office or Distributors.