

ROHS Compliant

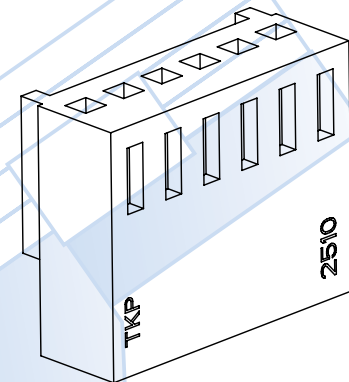
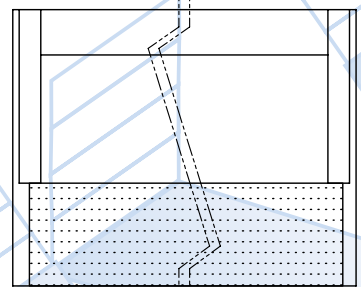
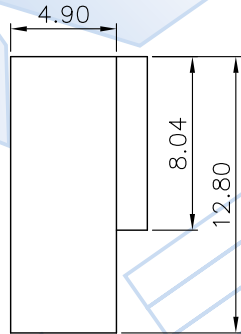
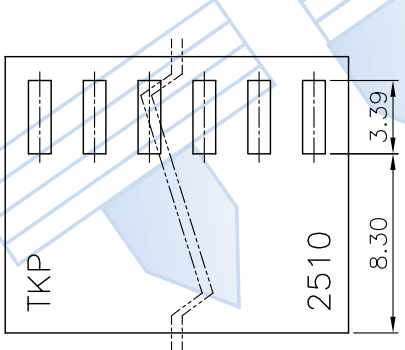
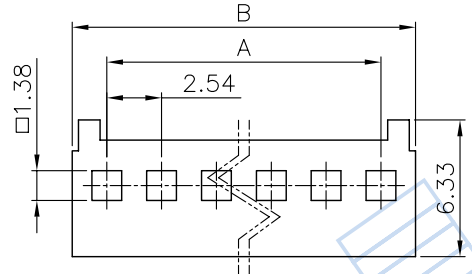


台灣駿品端子股份有限公司

TAIWAN KING PIN TERMINAL CO.,LTD

台北縣樹林市俊德街 23 號

TEL:886-2-26895596.26886112 FAX:886-2-26886110
E-mail:info@tkp.com.tw http://www.tkp.com.tw



- NOTE :**
- * Mateaial : Nylon UL 94V-2 or 94V-0
 - * Standard Color : White
 - * Electrical rating : UL 250V 2A,AC/DC
 - * Friction lock
 - * Accepts 8810T(LF) terminal
 - * Mate with P2510I,P2510L,P2510AI, P2510AL,P825422I,P825422L series headers
 - * 2-20 circuits available

噴砂面積不拘.3PIN整面噴砂.



Circuits	Part No.	Dim. A	Dim. B	Circuits	Part No.	Dim. A	Dim. B
2	H2510-02(LF)	2.54	5.74	12	H2510-12(LF)	27.94	31.14
3	H2510-03(LF)	5.08	8.28	13	H2510-13(LF)	30.48	33.68
4	H2510-04(LF)	7.62	10.82	14	H2510-14(LF)	33.02	36.22
5	H2510-05(LF)	10.16	13.36	15	H2510-15(LF)	35.56	38.76
6	H2510-06(LF)	12.70	15.90	16	H2510-16(LF)	38.10	41.30
7	H2510-07(LF)	15.24	18.44	17	H2510-17(LF)	40.64	43.84
8	H2510-08(LF)	17.78	20.98	18	H2510-18(LF)	43.18	46.38
9	H2510-09(LF)	20.32	23.52	19	H2510-19(LF)	45.72	48.92
10	H2510-10(LF)	22.86	26.06	20	H2510-20(LF)	48.26	51.46
11	H2510-11(LF)	25.40	28.60				



PART NO.	H2510-XX(LF)				Part NO.	Material	Color/Finish	Remark	APPROVAL
TITLE	2.54mm Wire to Board				H2510-XX(LF)	Nylon UL 94V-2			DRAWN: 王忠
THIRD ANGLE	SCALE	UNIT	SHEET NO	TOLERANCE	DATE	ODD NUMBERS	REV	CHECKED: 王忠	
	2.5:1	mm	1/1	.X± 0.30 .XXX±0.10 .XX± 0.20 ANGLE±2°	2009.03.18	TW320	A1	APPROVED: 陳振旭	
		254-104	A254-006						