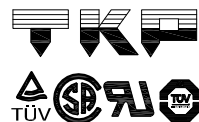


ROHS Compliant

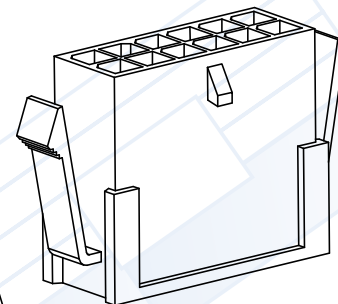
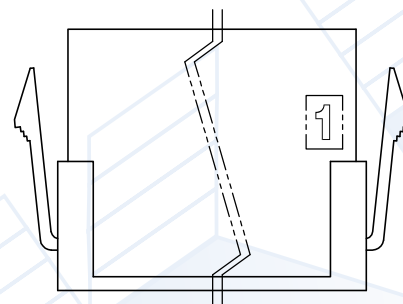
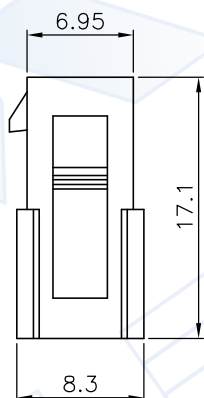
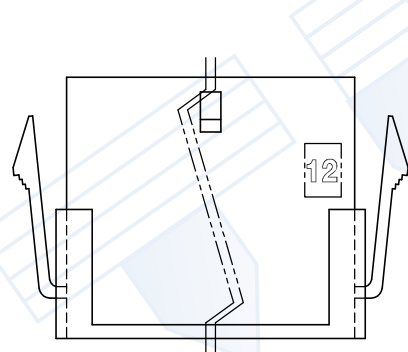
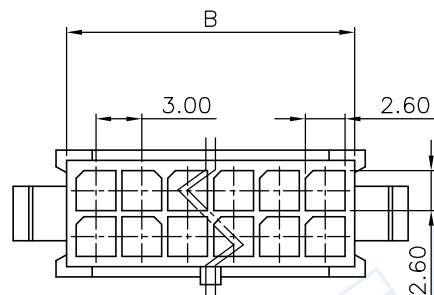


台灣駿品端子股份有限公司

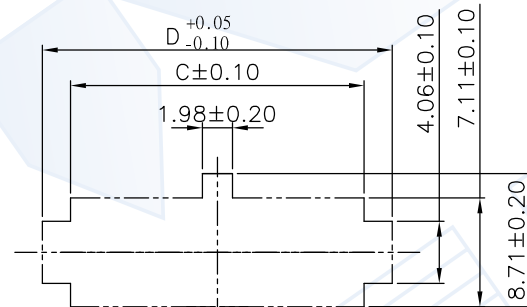
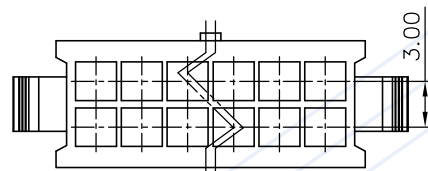
TAIWAN KING PIN TERMINAL CO.,LTD

台北縣樹林市俊德街 23 號

TEL:886-2-26895596,26886112 FAX:886-2-26886110
E-mail:info@tkp.com.tw http://www.tkp.com.tw



- NOTE :
- * Material : UL 94V-0
 - * Color : Black
 - * Electrical rating : C-UL 250V 3A, AC/DC
 - * Current rating : 4A, AC/DC
 - * Voltage rating : 250V, AC/DC
 - * Accepts 6630TR(LF) terminal
 - * Mates with H6630R1 series plug housings
 - * Dual row , 2-24 circuits available



CIRCUITS	PART NO.	DIM. A	DIM. B	DIM. C	DIM. D
2	H6630P-02	---	3.85	4.20	8.89
4	H6630P-04	3.00	6.85	7.20	10.89
6	H6630P-06	6.00	9.85	10.20	13.88
8	H6630P-08	9.00	12.85	13.20	16.88
10	H6630P-10	12.00	15.85	16.20	19.88
12	H6630P-12	15.00	18.85	19.20	22.88
14	H6630P-14	18.00	21.85	22.20	25.87
16	H6630P-16	21.00	24.85	25.20	28.87
18	H6630P-18	24.00	27.85	28.20	31.87
20	H6630P-20	27.00	30.85	31.20	34.86
22	H6630P-22	30.00	33.85	34.20	37.86
24	H6630P-24	33.00	36.85	37.20	40.86

RECOMMENDED PANEL HOLE DIMENSION
(THICKNESS : 1.57)



PART NO.	H6630P-XX	Part NO.	Material	Color/Finish	Remark	APPROVAL		
TITLE	3.00mm Wire to Wire					DRAWN: 詹雅茹		
THIRD ANGLE	SCALE	UNIT	SHEET NO	TOLERANCE	DATE	ODD NUMBERS	REV	CHECKED: 張明遠
	1.5:1	mm	1/1	.X± 0.30 .XXX±0.10 .XX± 0.20 ANGLE±2'	2011.01.17	ENG950740	A4	APPROVED: 陳泓宇
	300-010		C300-003					