

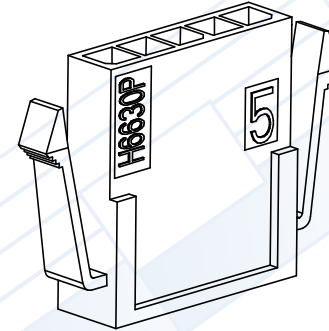
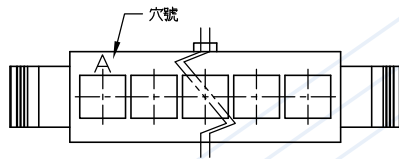
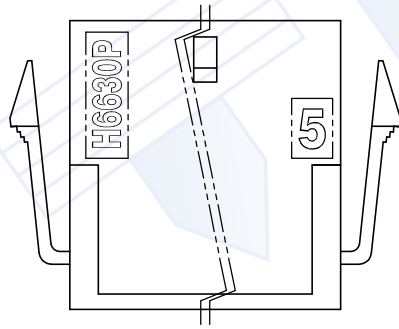
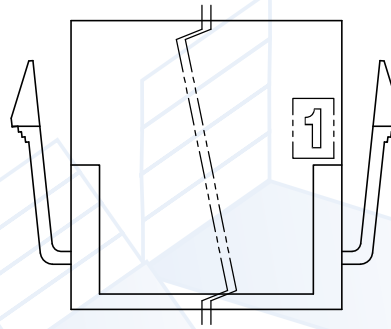
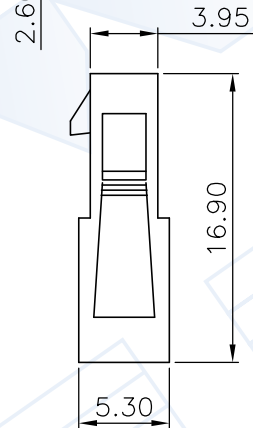
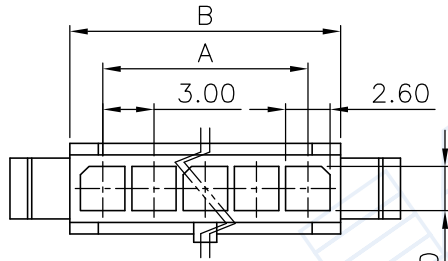
ROHS Compliant



台灣駿品端子股份有限公司  
TAIWAN KING PIN TERMINAL CO.,LTD

台北縣樹林市俊德街 23 號

TEL:886-2-26895596.26886112 FAX:886-2-26886110  
E-mail:info@tkp.com.tw http://www.tkp.com.tw



- NOTE :
- \* Material : UL 94V-0
  - \* Color : Black
  - \* Electrical rating : C-UL 250V 3A, AC/DC
  - \* Current rating : 4A, AC/DC
  - \* Voltage rating : 250V, AC/DC
  - \* Accepts 6630TR(LF) terminal
  - \* Mates with H6630R1 series plug housings
  - \* 2-12 circuits available
  - \* Single row

CIRCUITS	PART NO.	DIM. A	DIM. B
2	H6630P-1x2	3.00	6.85
3	H6630P-1x3	6.00	9.85
4	H6630P-1x4	9.00	12.85
5	H6630P-1x5	12.00	15.85
6	H6630P-1x6	15.00	18.85
7	H6630P-1x7	18.00	21.85
8	H6630P-1x8	21.00	24.85
9	H6630P-1x9	24.00	27.85
10	H6630P-1x10	27.00	30.85
11	H6630P-1x11	30.00	33.85
12	H6630P-1x12	33.00	36.85



PART NO.	H6630P-1xX			Part NO.	Material	Color/Finish	Remark	APPROVAL
TITLE	3.00mm Wire to Wire							DRAWN: 詹雅茹
THIRD ANGLE	SCALE	UNIT	SHEET NO	TOLERANCE	DATE	ODD NUMBERS	REV	CHECKED: 張明遠
	1.5:1	mm	1/1	.XX±0.30 .XXX±0.10 .XX±0.20 ANGLE±2°	2011.02.18	ENG950755	A3	APPROVED: 陳泓宇

