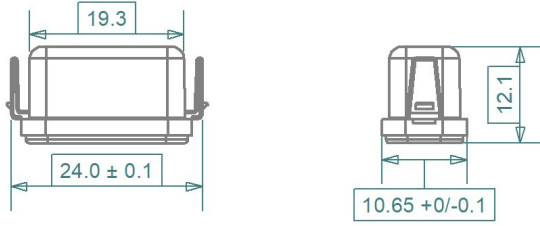
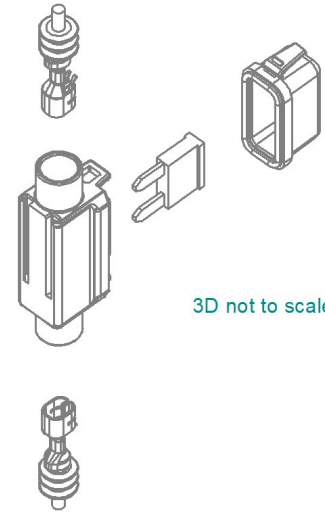
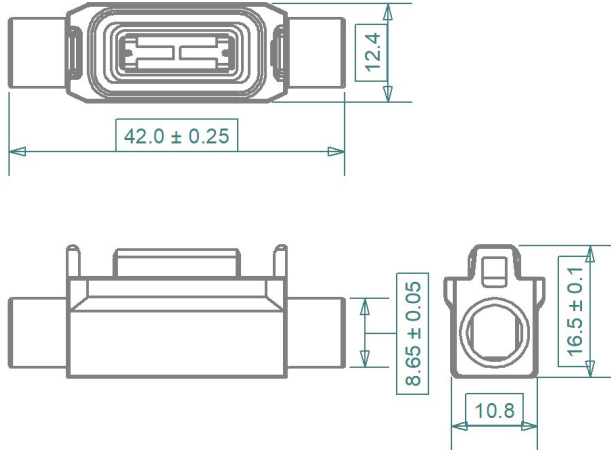


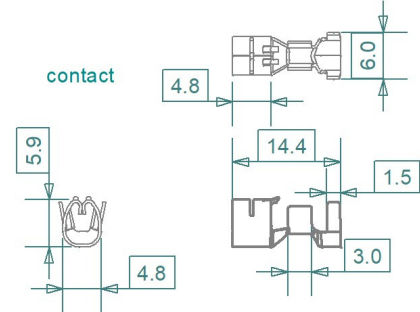
cover: HLP7305



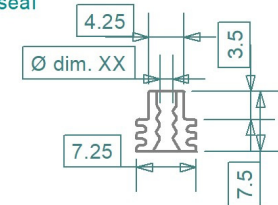
body: H7301



contact



wire seal



Cable seal details	
iMaXX ref.	dim. XX
S682028	1.60
S682835	2.40
S681620	1.25

iMaXX ref.	Description	Material	Note
H7301	single holder	PA 6 GF 30	black
HLP7305	clear cover	PC	transparent
CCS150FR	contact 1.0-2.5mm ²	CuZn33	Sn plated, reeled
S681620	cable seal, violet	LSR, 50 shore	HD 6.8mm, ø1.6-2.0mm
S682028	cable seal, green	LSR, 50 shore	HD 6.8mm, ø2.0-2.8mm
S682835	cable seal, gray	LSR, 50 shore	HD 6.8mm, ø2.8-3.5mm
iMaXX ref.	Description		
H7325	assembled fuse holder, 1,5mm ² black wire ± 130mm each side		
H7335	assembled fuse holder, 2,5mm ² red wire ± 130mm each side		

Notes: fuse holder suited for iMaXX miniOTO blade fuse series F7000 and F7900(LED) up to 30A
Contact suitable for wire diameters 1.0 - 2.5mm²

Revisions			Date	Appr.
	Date	Type	Drawn	05/12 GRH
a	03/13	Updated cable dimensions	Checked	09/21 BE
b	09/21	Updated CCS150FR materials	Standards	
			Approved	09/21 AdH
			Scale	1 : 1
			Projection	Tolerance ± 0.2 mm unless otherwise noted



Title	H7300 series, miniOTO blade fuse holder				
Drawing type	schematic				
Drawing number	H7300 drawing 1				
Sheet	1 of 1				
Layers / Sheet	0	1	2	6	9 11
					Sheet 01