

1 2 3 4 5 6 7 8

RevNo \_\_\_\_\_ Date \_\_\_\_\_ Signature \_\_\_\_\_ Checked \_\_\_\_\_

A

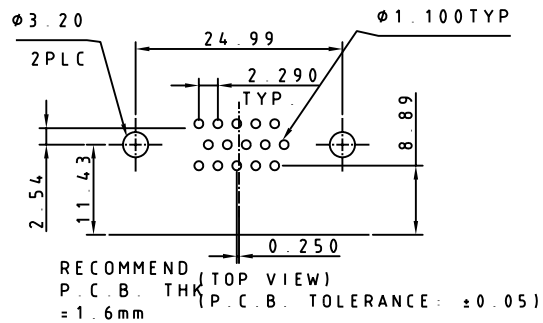
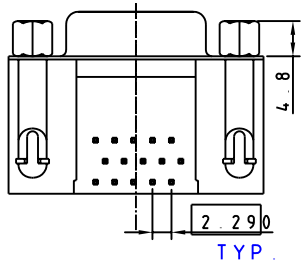
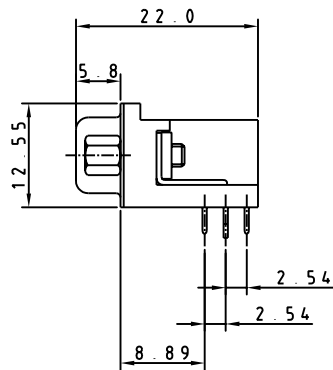
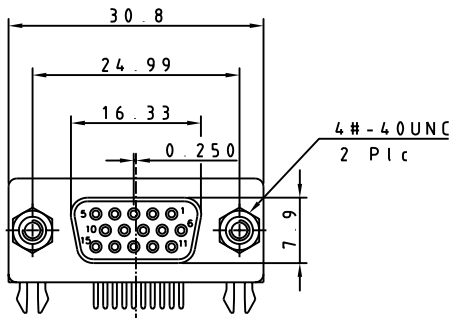
B

C

D

E

F



ELECTRICAL CHARACTERISTICS

Contact Current Rating: 1.5 Amperes.  
Dielectric Withstanding Voltage: AC 500V at sea level.  
Insulation Resistance: 1000 Megohms Min.  
Contact Resistance: 30 Milliohms Max.  
Operating Temperature: -55°C to +105°C

Material  
Housing: PBT.

Max. soldering temperature: 200~205 °C for 1-2 seconds

Contact: Copper Alloy.  
Shell: SPCC.  
Z-Piece: Copper Alloy.  
Screw: Copper Alloy.

RoHS Compliance

A

B

C

D

E

F

DRAW.BY	LinHaiFong	DATE	12-Jan.-2004	UNIT	MM	GENERAL TOLERANCE	.X ±0.30 Ang.± .XX ±0.25 .XXX ±0.150	ITEM	DSUB HD15F 90D DIP (Lock With-Screw)
APPVL.BY		VERSION	A	SCALE		DWG.No	F: /XX/ / +	PART No	
								CUSTOMER	

1 2 3 4 5 6 7 8