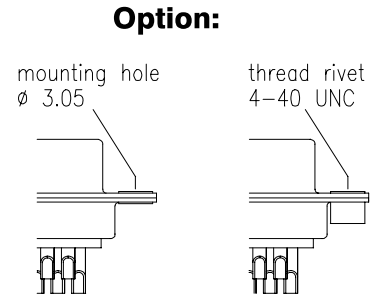
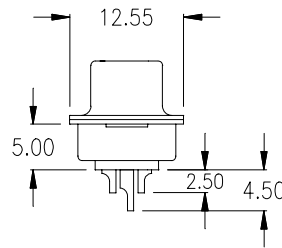
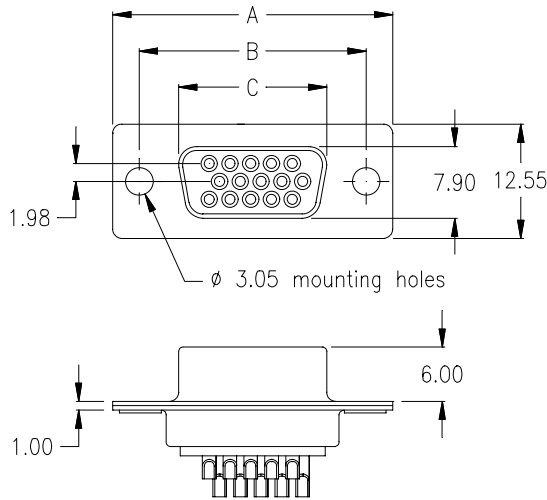
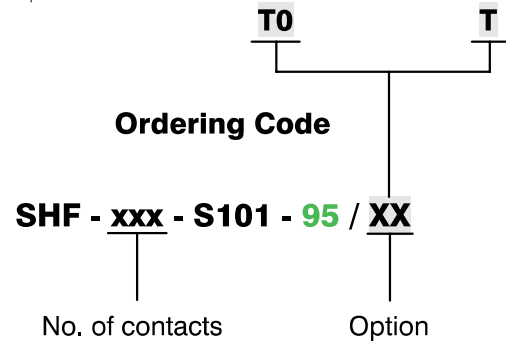


female



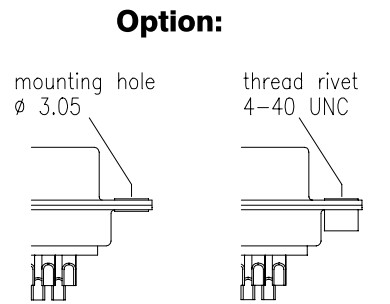
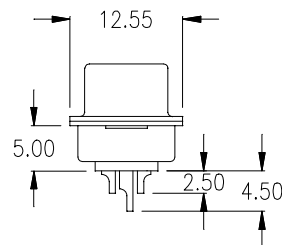
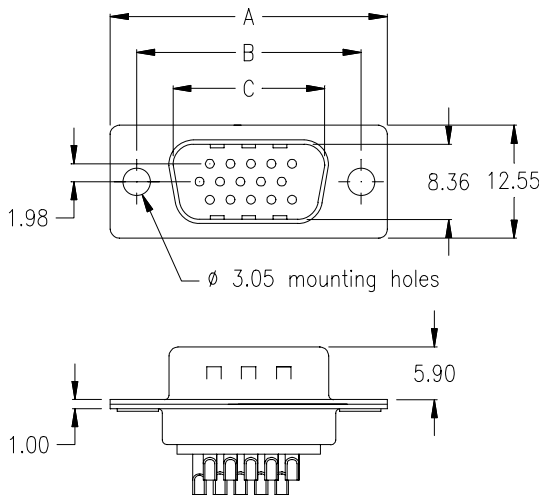
| No. of contacts | Dimension | | |
|-----------------|----------------|----------------|----------------|
| | A | B | C |
| 015 | 30.81 1.213 | 24.99 .984 | 16.33 .643 |
| 026 | 39.14 1.541 | 33.32 1.312 | 24.66 .971 |
| 044 | 53.04 2.088 | 47.04 1.852 | 38.38 1.511 |
| 062 | 69.32 2.729 | 63.50 2.500 | 54.84 2.159 |



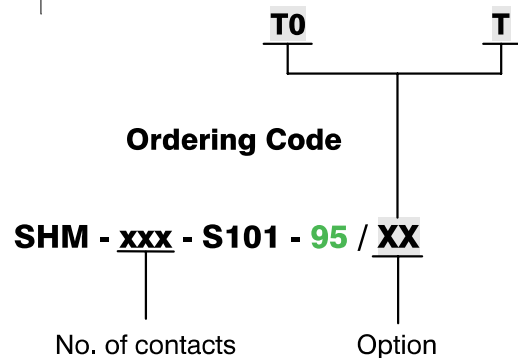
General Specification page 72

Plating: -95 = tin(leadfree)/gold

male



| No. of contacts | Dimension | | |
|-----------------|----------------|----------------|----------------|
| | A | B | C |
| 015 | 30.81 1.213 | 24.99 .984 | 16.92 .666 |
| 026 | 39.14 1.541 | 33.32 1.312 | 25.25 .994 |
| 044 | 53.04 2.088 | 47.04 1.852 | 38.96 1.534 |
| 062 | 69.32 2.729 | 63.50 2.500 | 55.42 2.182 |



General Specification page 72

Plating: -95 = tin(leadfree)/gold