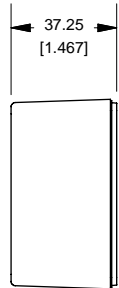
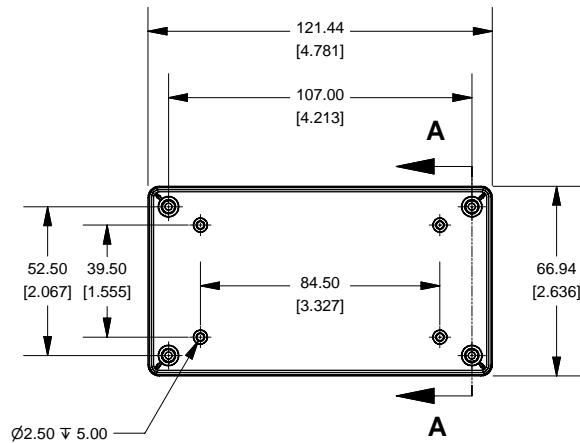


1591XXCS Enclosure



SIDE VIEW OF BOX

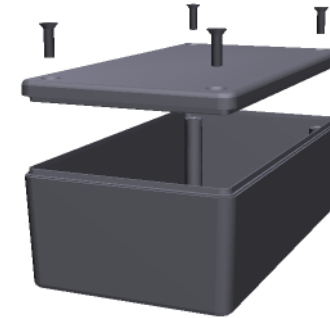


TOP VIEW OF BOX

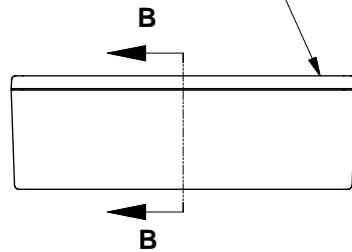
AVERAGE WALL THICKNESS
2.00
[.079]



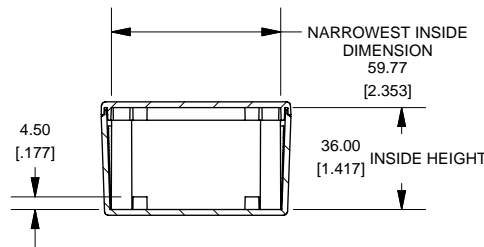
SECTION A-A



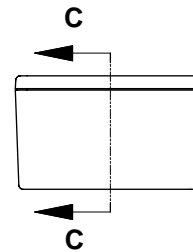
Cover Screws #4 x 1/2 Self-Tapping Screws



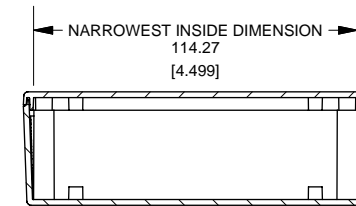
SIDE VIEW OF ENCLOSURE



SECTION B-B



END VIEW OF ENCLOSURE



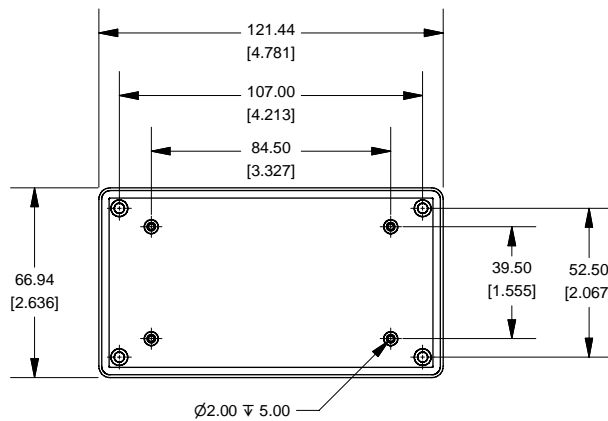
SECTION C-C

Note:

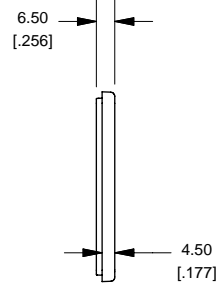
Enclosures can be Factory Modified (Milling, Drilling, Printing etc.)
Solid models of this enclosure available in STEP or IGES.
Contact Factory mjm@hammondmfg.com

NOTE	
Enclosure molded from GPABS UL-94HB plastic	
Other materials / colours available. Consult factory.	

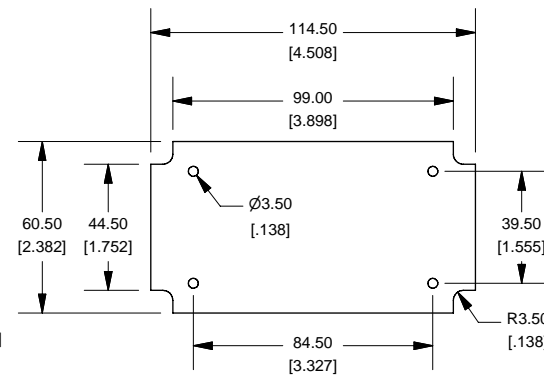
1591XXCS	
1591XXCS Enclosure	
Black - RAL 7011	1591XXCSBK
ACCESSORIES	
Black Cover Screws	1591TS100BK
PCB Screws	1593ATS50 (pkg 50)
#4 x 1/4" self-tapping (6.4mm)	1593ATS100 (pkg 100)



BOTTOM VIEW OF LID



SIDE VIEW OF LID



Max Size PCB. Fits in Box or in Lid.
Not supplied with Enclosure

